

Change in Thread Pitch – The standard thread pitches for all bolts, nuts, and screws in the 3 mm, 4 mm, 5 mm and 12 mm sizes are changed as indicated below:

<u>Nominal Dia.</u>	<u>Thread Pitch</u>	
	<u>Present J.I.S.</u>	<u>Modified J.I.S. (I.S.O.)</u>
3 mm	0.6	0.5
4 mm	0.75	0.7
5 mm	0.9	0.8
12 mm	1.5	1.25

These changes will affect the interchangeability of threaded parts in these sizes. Care must be taken to use the correct pitch to avoid stripping.

These changes will also require new taps and dies.

To help avoid confusion in the 3 mm, 4 mm, 5 mm and 12 mm size, wherein the thread pitch has been changed, the modified J.I.S. (I.S.O.) threaded parts used by Honda will be marked such that they can be readily identified. The marks used are as follows:

<u>PART TYPE</u>	<u>DESCRIPTION OF MARKING</u>
STD. HEX BOLT	A number, indicating the strength of the bolt, will be embossed on the top of the bolt head. This mark will appear on modified J.I.S. (I.S.O.) bolts of all sizes, but as explained above all sizes except 4 mm, 5 mm, and 12 mm (there are no 3 mm hex bolts) will interchange with the present J.I.S. parts.
SLOTTED HEX BOLT	There will be a hemispherical embossment (bump) on the top of the bolt head in the 4 mm and 5 mm sizes (3 mm and 12 mm slotted hex bolts are not in use).
CAP BOLT	There will be a hemispherical dimple on the side of the bolt head in the 4 mm, 5 mm and 12 mm sizes (3 mm not in use).
STUD BOLT	There will be a hemispherical dimple or embossment on the nut end in the 5 mm and 12 mm sizes (3 mm and 4 mm studs are not in use).
ALL CROSS RECESS SCREWS	There will be a hemispherical embossment on the top of the screw head in the 3 mm, 4 mm and 5 mm sizes (12 mm not used).

ALL NUTS

There will be a hemispherical dimple on either the top or side of the nut in all sizes with changed pitch. This will also apply to nuts that are permanently welded to other parts.

All mechanics and parts department personnel should read and understand this change-over, to avoid confusion and damage to threaded parts.

ENGINE AND FRAME SERIAL NUMBERS

The engine and frame numbers should be checked prior to ordering parts for a specific motorcycle. HONDA engine numbers are located on the left portion of the engine and frame numbers on the left side of the frame body.

Parts list serial numbers are coded (E) for ENGINE and (F) for FRAME to assist you in identification.

Modified parts will show ENGINE or FRAME serial number in the remark column. These numbers will designate the start (FROM) and finish (TO) production run for that item listed to its left.

Newly introduced items will be listed from initial part installation serial numbers.

ILLUSTRATIONS

To aid identification of PARTS, (exploded) illustrations are incorporated in this catalogue. Available items in the illustrations are identified by NUMBERS which correspond with the PARTS descriptions on the PARTS list.

A separate PARTS list is provided for each illustration. Reference numbers on the PARTS list duplicate identification numbers on the illustration for assistance in choosing the correct PART. Addition to the numerical reference numbers, we have used numeral-alphabet reference numbers for the convenience of adding new PARTS to the PARTS list.

Find the illustration of PART you require and check the accompanying PARTS list for its HONDA CODE, NEW PART NUMBER, DESCRIPTION, etc.

PARTS RETURN

PARTS may not be returned to AMERICAN HONDA without prior written authorization. Written authorization may be obtained by writing to AMERICAN HONDA MOTOR CO., INC., 100 West Alondra Blvd., Gardena, California 90247. We will correct any error which we were of primary fault. This would cover damaged

PARTS, (not caused in mishandling by the delivery source), wrong parts, incorrect quantities, etc. Advise us of discrepancies within five (5) days of receipt. **AMERICAN HONDA** is not responsible for **PARTS** – returned to us without written authorization.

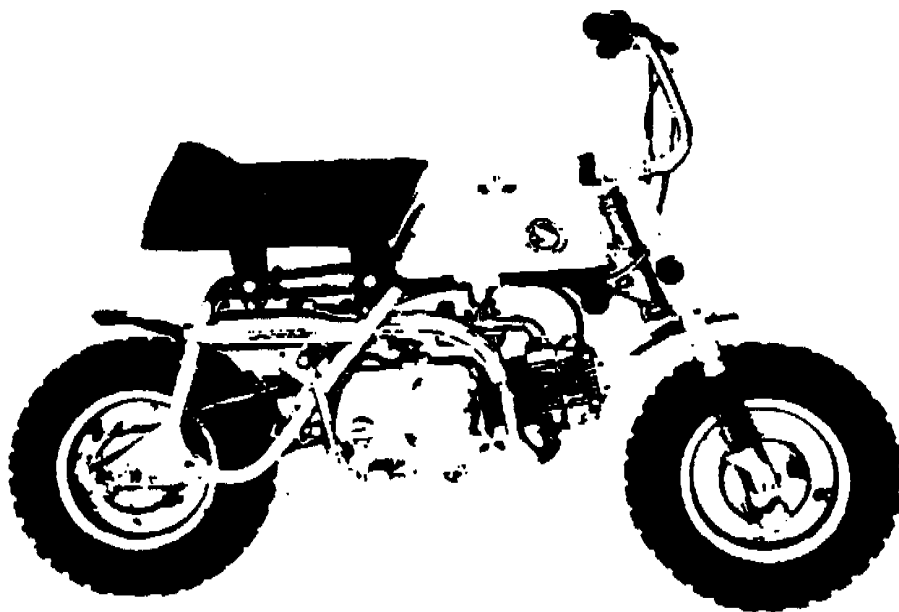
ADDITIONAL INFORMATION

1. Dimensions of the **PARTS** in this catalogue are indicated in millimeter units.
2. L or R in the description of a **PART** stands for the **LEFT** hand side or the **RIGHT** hand side, which is decided by the direction of travel of the vehicle.
3. Many standard items, **SPARK PLUGS**, **BOLTS**, **NUTS**, **WASHERS**, **PINS**, which are in constant use are sold in multiples of ten and consideration when placing your order is advised.
4. **ABBREVIATIONS**

ASSY. – Assembly
COMP. – Complete

REF. – Reference
HEX. – Hexagonal

ADJ. – Adjusting
STD. – Standard

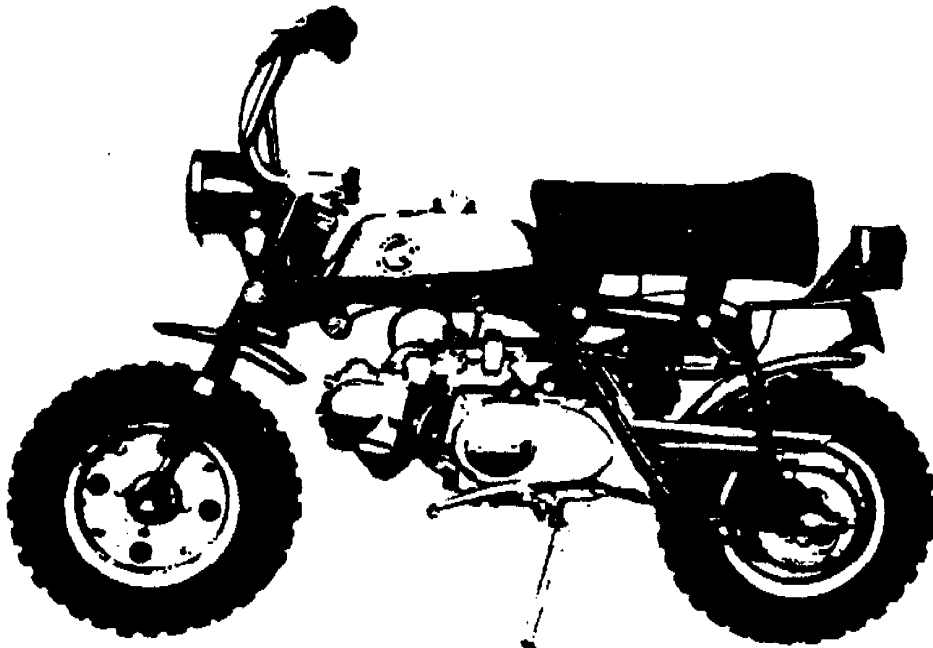


Z50A

FRAME NO.: F 250A-100001 TO

* * * * ADDITIONAL INFORMATION * * * *

<u>H/C</u>	<u>PART NUMBER/DESCRIPTION</u>	
17652	Z50A	Owners Manual
17654	Z50A	Shop Manual
36771	Z50A/K5	Parts Catalog

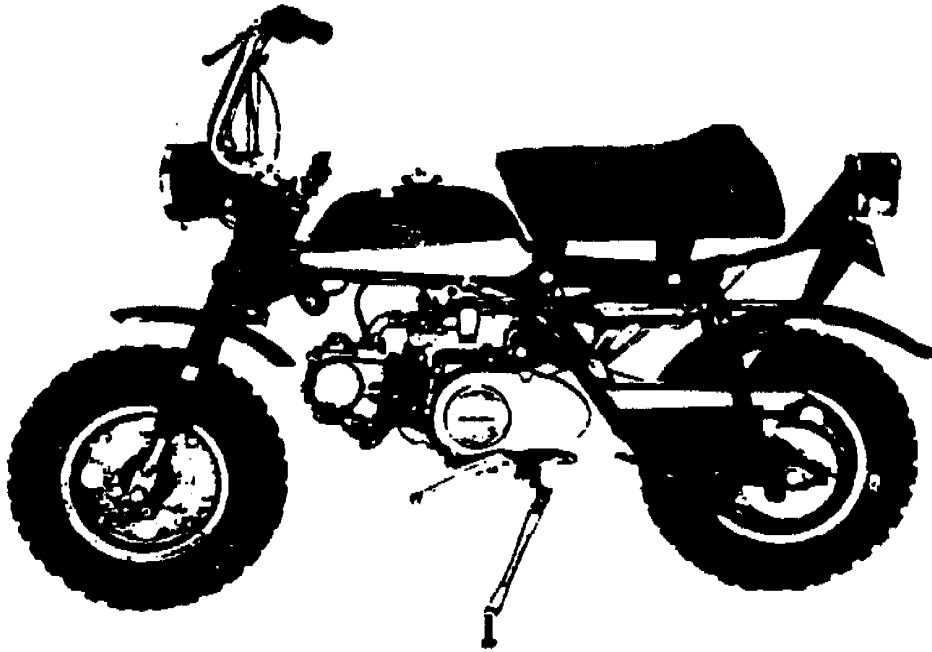


Z50AK1

Frame No.: FZ50A-103193 TO Z50A-270235

* * * * ADDITIONAL INFORMATION * * * *

<u>H/C</u>	<u>PART NUMBER/DESCRIPTION</u>	
18299	Z50AK1	Owners Manual
18300	Z50AK1	Shop Manual
36771	Z50A/K5	Parts catalog

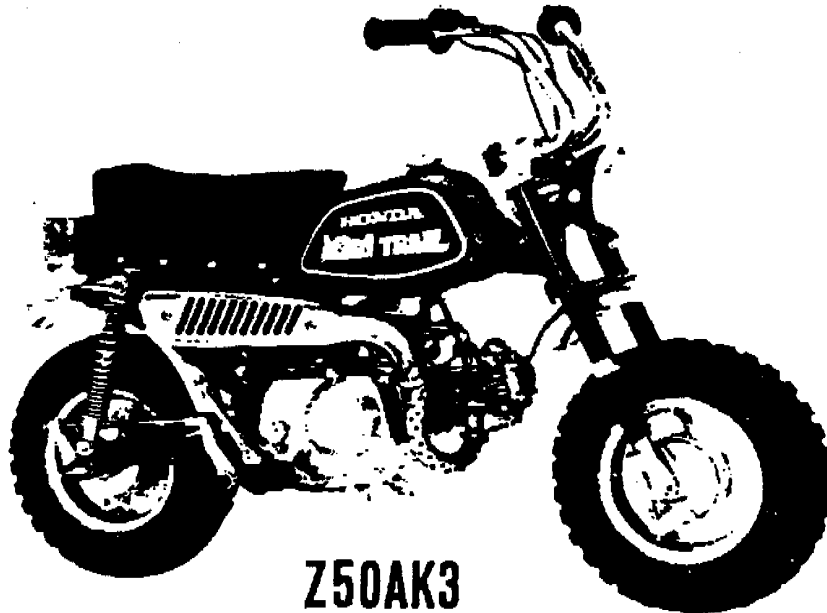


Z50A K2

Frame No.: FZ50A-270236 TO

* * * * ADDITIONAL INFORMATION * * * *

<u>H/C</u>	<u>PART NUMBER/DESCRIPTION</u>	
22303	Z50AK2	Owners Manual
22307	Z50AK2	Shop Manual
36771	Z50A/K5	Parts Catalog

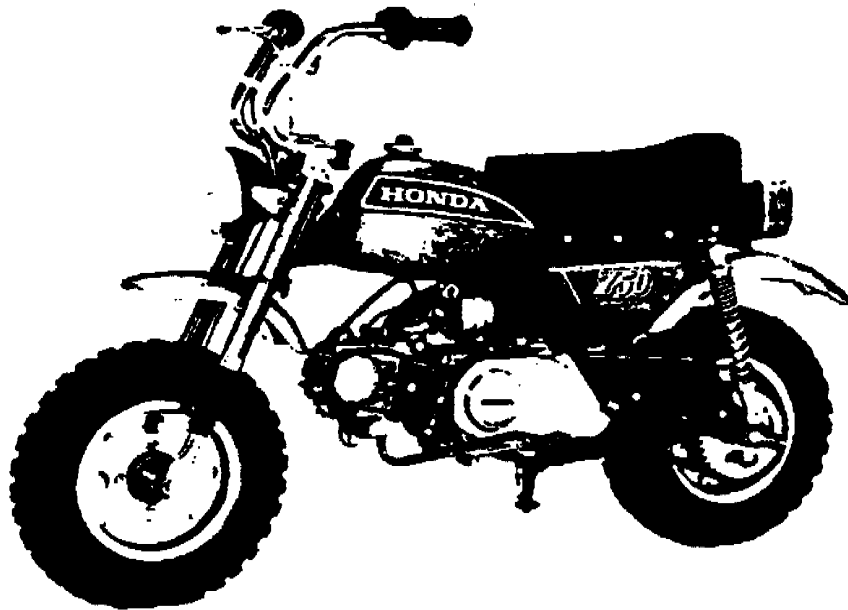


Z50AK3

FRAME NO.: F Z50A-1000001 TO

***** ADDITIONAL INFORMATION *****

<u>H/C</u>	<u>PART NUMBER/DESCRIPTION</u>	
26909	Z50AK3	Owners Manual
26983	Z50AK3	Shop Manual
36771	Z50A/K5	Parts Catalog



Z50A K4

FRAME NO FZ50A-3000001 TO

* * * * * ADDITIONAL INFORMATION * * * * *

<u>H/C</u>	<u>PART NUMBER/DESCRIPTION</u>	
36771	Z50A/K5	Parts Catalog
30618	Z50AK4	Owners Manual
26983	Z50AK3/K4	Shop Manual

Z50AK5

not illustrated

ENGINE NO. 5000001 TO SUBSEQUENT

* * * * * ADDITIONAL INFORMATION * * * * *

<u>H/C</u>	<u>PART NUMBER/DESCRIPTION</u>	
36771	Z50A-K5	Parts Catalog
35781	Z50AK5	Owners Manual
35967	Z50AK5	Shop Manual

CONTENTS

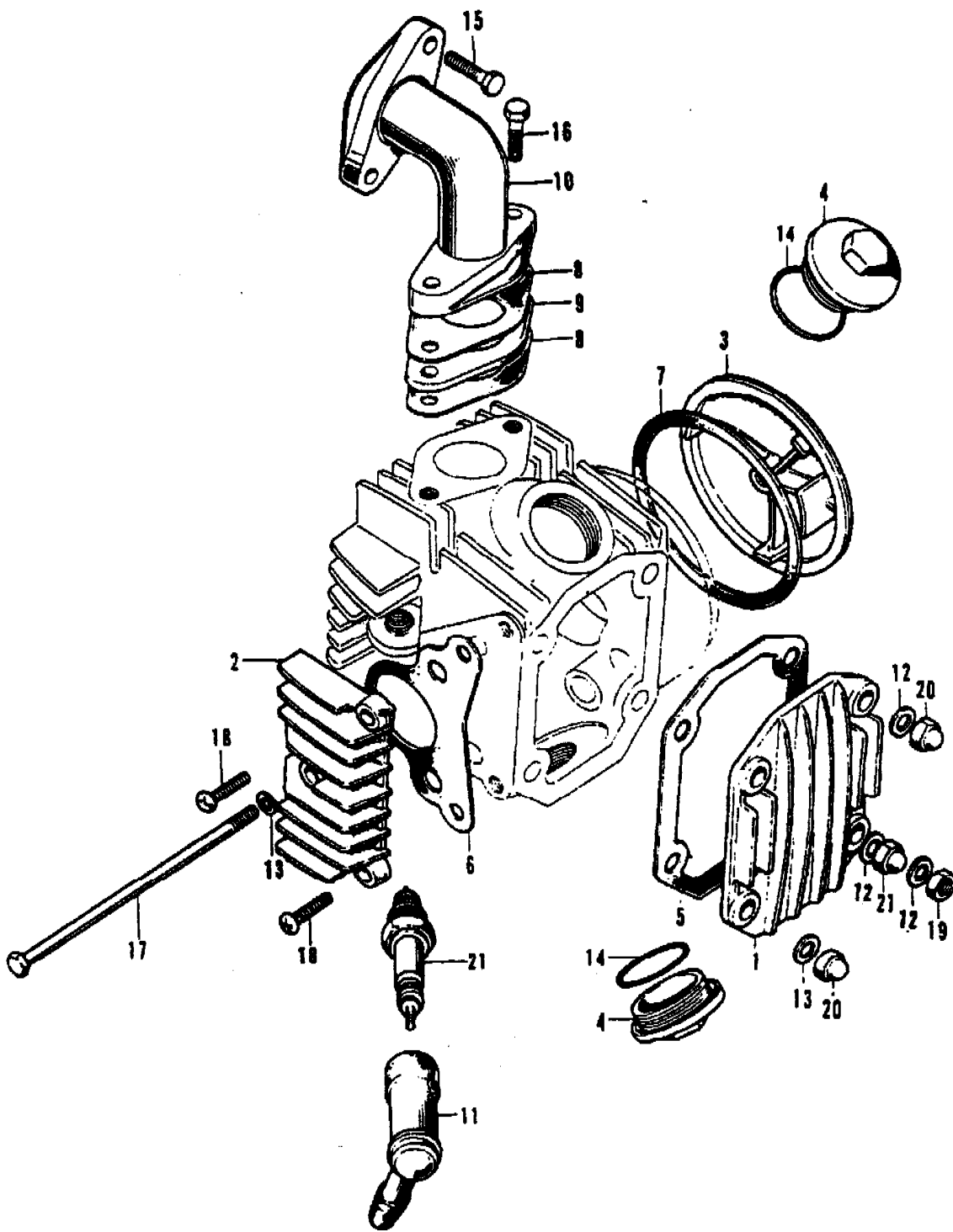
ENGINE

	PAGE
CYLINDER HEAD COVER.....	3
CYLINDER . CYLINDER HEAD.....	5
CAMSHAFT . VALVE.....	7
LEFT CRANKCASE COVER . GENERATOR.....	9
CAM CHAIN . TENSIONER.....	11
RIGHT CRANKCASE COVER.....	13
CLUTCH.....	15
CRANKSHAFT . PISTON.....	17
GEAR SHIFT.....	19
TRANSMISSION.....	21
KICK STARTER.....	23
CRANKCASE . OIL PUMP.....	25
CARBURETOR *Z50/K1/K2*.....	27
CARBURETOR *Z50K3/K4/K5*.....	31
CARBURETOR SET *Z50/K1/K2*.....	35
CARBURETOR SET *Z50K3/K4/K5*.....	37

FRAME

HANDLE BAR *Z50/K1/K2*.....	39
HANDLE BAR *Z50K3/K4/K5*.....	43
FRONT FORK.....	45
FRONT CUSHION.....	47
FRONT WHEEL.....	49
FUEL TANK *Z50/K1/K2*.....	51
FUEL TANK *Z50K3/K4/K5*.....	55
SEAT . STEP *Z50/K1/K2*.....	57
SEAT . STEP *Z50K3/K4/K5*.....	59
AIR CLEANER.....	61
MUFFLER *Z50/K1/K2*.....	63
MUFFLER *Z50K3/K4/K5*.....	65
REAR WHEEL.....	67
REAR CUSHION.....	71
BRAKE PEDAL *Z50K2*.....	73
REAR FORK . CHAIN CASE.....	75
HEADLIGHT . HEADLIGHT CASE *Z50K1/K2*.....	77
HEADLIGHT . HEADLIGHT CASE *Z50K3/K4/K5*.....	79
TAILLIGHT . REAR FENDER *Z50K1/K2*.....	81
TAILLIGHT . REAR FENDER *Z50K3/K4/K5*.....	83
FRAME BODY *Z50/K1/K2*.....	85
FRAME BODY *Z50K3/K4/K5*.....	87
WIRE HARNESS *Z50/K1/K2*.....	89
SPECIAL TOOLS.....	90

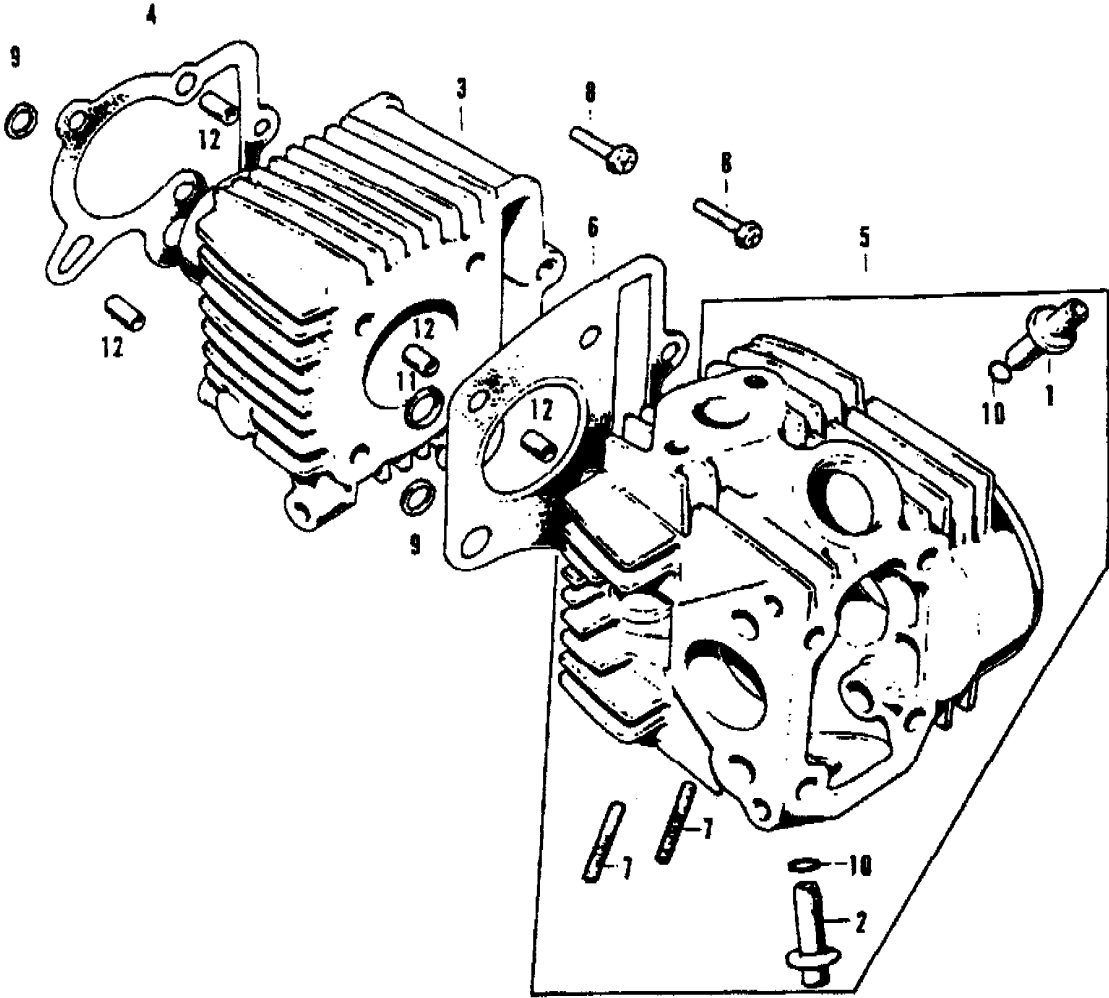
Cylinder Head Cover - Inlet Pipe - Spark Plug



Cylinder Head Cover

Ref. No.	M/C	Part Number	Description	Z50	K1	K2	K3	K4	K5	Remarks
1	06959	12301-035-000	COVER, CYLINDER HEAD.....	1	1	1	1	1	1	
2	06960	12331-035-000	COVER, RIGHT CYLINDER HEAD.....	1	1	1	1	1	1	
3	06961	12341-035-000	COVER, LEFT CYLINDER HEAD SIDE.....	1	1	1	1	1	1	
4	18887	12361-300-000	CAP, TAPPET ADJUSTING HOLE.....	2	2	2	2	2	2	
5	06966	12391-035-000	GASKET, CYLINDER HEAD COVER.....	1	1	1	1	1	1	
6	06967	12394-035-000	GASKET, RIGHT CYLINDER HEAD SIDE... COVER	1	1	1	1	1	1	
7	06968	12395-035-000	GASKET, LEFT CYLINDER HEAD SIDE.... COVER	1	1	1	1	1	1	
8	17432	16201-045-000	GASKET, INSULATOR.....	2	2	2	2	2	2	
9	17433	16211-045-010	INSULATOR, INLET PIPE.....	1	1	1	1	1	1	
10	17436	17111-045-040	PIPE, INLET.....	1	1	1	-	-	-	
	27163	17111-045-720	PIPE, INLET.....	-	-	-	1	1	1	
11	10039	30700-259-810	CAP, NOISE SUPPRESSOR.....	1	1	1	1	1	1	
12	07096	90442-035-000	WASHER, SEALING, 6MM.....	3	3	3	3	3	3	
13	13875	90443-230-000	WASHER A, SEALING, 6MM.....	2	2	2	2	2	2	
14	00106	91302-001-020	O RING, 30.8MM.....	2	2	2	2	2	2	
15	05432	92000-06025	BOLT, HEX., 6X25.....	2	2	2	-	-	-	
	05427	92000-06020	BOLT, HEX., 6X20.....	-	-	-	2	2	2	
16	05432	92000-06025	BOLT, HEX., 6X25.....	2	2	2	2	2	2	
17	08390	92011-06112	BOLT, HEX., 6X112.....	1	1	1	-	-	-	
	19770	92000-06112	BOLT, HEX., 6X112.....	-	-	-	1	1	1	
18	05740	93500-06010	SCREW, CROSS, 6X10.....	2	2	2	-	-	-	
	05749	93500-06020	SCREW, PAN, 6X20.....	-	-	-	2	2	2	
19	15606	94001-06000-05	NUT, HEX., 6MM.....	3	3	3	1	1	1	
20	05788	94021-06000	NUT, HEX., CAP, 6MM.....	3	3	3	3	3	3	
21	17650	98056-56711	PLUG, SPARK #C-6H N.G.K.#.....	1	1	1	1	1	1	
	28030	98056-56721	PLUG, SPARK #U-20FS NIPPON DENSO#..	1	1	1	1	1	1	

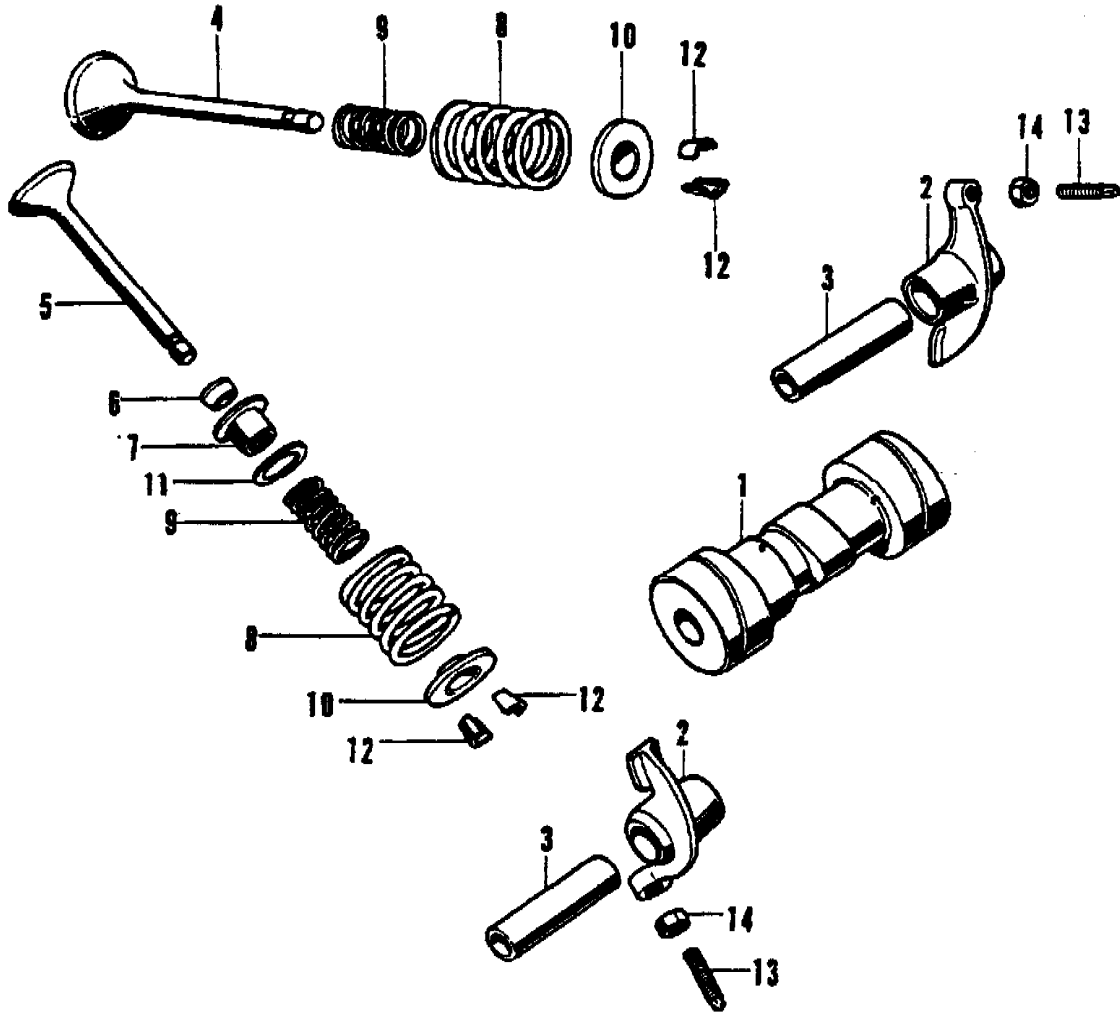
Cylinder - Cylinder Head



Cylinder . Cylinder head

Ref. No.	N/C	Part Number	Description	250	K1	K2	K3	K4	K5	Remarks
1	11799	12021-035-811	GUIDE, INLET VALVE.....	2	2	2	2	2	2	
2	11800	12023-051-310	GUIDE, EXHAUST VALVE..... (SUPERSEDED BY 12023-051-320)	2	2	2	2	2	2	
	33529	12023-051-320	GUIDE, EXHAUST VALVE.....	2	2	2	2	2	2	
3	17406	12101-041-030	CYLINDER.....	1	1	1	1	1	1	
4	18502	12191-035-020	GASKET, CYLINDER.....	1	1	1	1	1	1	
5	17408	12200-041-020	HEAD, CYLINDER..... (SUPERSEDED BY 12200-041-030)	1	1	1	1	1	1	
	33198	12200-041-030	HEAD, CYLINDER.....	1	1	1	1	1	1	
6	30533	12251-065-740	GASKET, CYLINDER HEAD.....	1	1	1	1	1	1	
7	17498	90033-041-000	BOLT, STUD, 6X32.....	2	2	2	2	2	2	
8	07084	90082-035-000	BOLT, 6MM, NS.....	2	2	2	2	2	2	
9	06971	91303-035-000	PACKING, RUBBER, 16MM.....	2	2	2	2	2	2	
10	11820	91306-028-000	O RING, 9.5X1.6.....	2	2	2	2	2	2	
11	11802	91306-035-000	GASKET, RUBBER, 7.5MM.....	1	1	1	1	1	1	
12	06931	94301-08140	PIN, KNOCK, 8X14A.....	4	4	4	4	4	4	

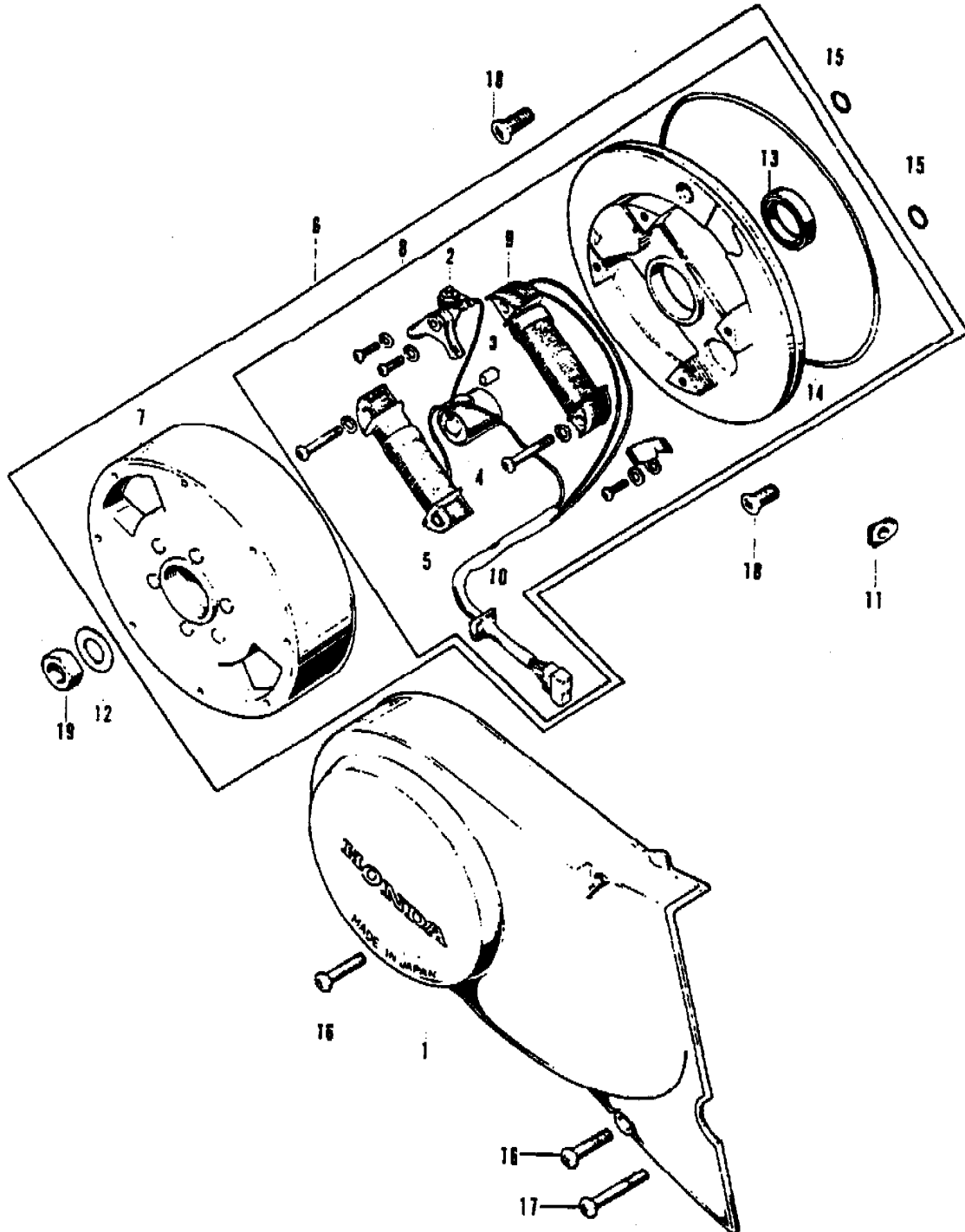
Camshaft - Valve



Camshaft . Valve

Ref. No.	M/C	Part Number	Description	750	K1	K2	K3	K4	K5	Remarks
1	18148	14101-041-020	CAMSHAFT.....	1	1	1	1	1	1	
2	06989	14431-035-000	ARM, VALVE ROCKER ARM.....	2	2	2	2	2	2	
3	06990	14451-035-000	SHAFT, VALVE ROCKER ARM.....	2	2	2	2	2	2	
4	17428	14711-036-000	VALVE, INLET.....	1	1	1	1	1	1	
5	17429	14721-036-000	VALVE, EXHAUST.....	1	1	1	1	1	1	
6	11598	14730-028-000	SEAL, VALVE STEM.....	1	1	1	-	-	-	
	24109	14730-028-013	SEAL, VALVE STEM.....	-	-	-	1	1	1	
7	11599	14731-028-000	CAP, VALVE STEM SEAL.....	1	1	1	1	1	1	
8	08303	14751-035-600	SPRING, VALVE *OUTER*.....	2	2	2	2	2	2	
9	06994	14761-035-000	SPRING, VALVE *INNER*.....	2	2	2	2	2	2	
10	08304	14771-035-600	RETAINER, VALVE SPRING.....	2	2	2	2	2	2	
11	11597	14776-028-000	SEAT, INNER VALVE SPRING.....	1	1	1	1	1	1	
12	00189	14781-001-010	COTTER, VALVE.....	4	4	4	4	4	4	
13	02397	90012-200-000	SCREW, TAPPET ADJUSTING..... (SUPERSEDED BY 90012-333-000)	2	2	2	2	2	2	
	29481	90012-333-000	SCREW, TAPPET ADJUSTING.....	2	2	2	2	2	2	
14	00459	90206-001-000	NUT, TAPPET ADJUSTING.....	2	2	2	2	2	2	

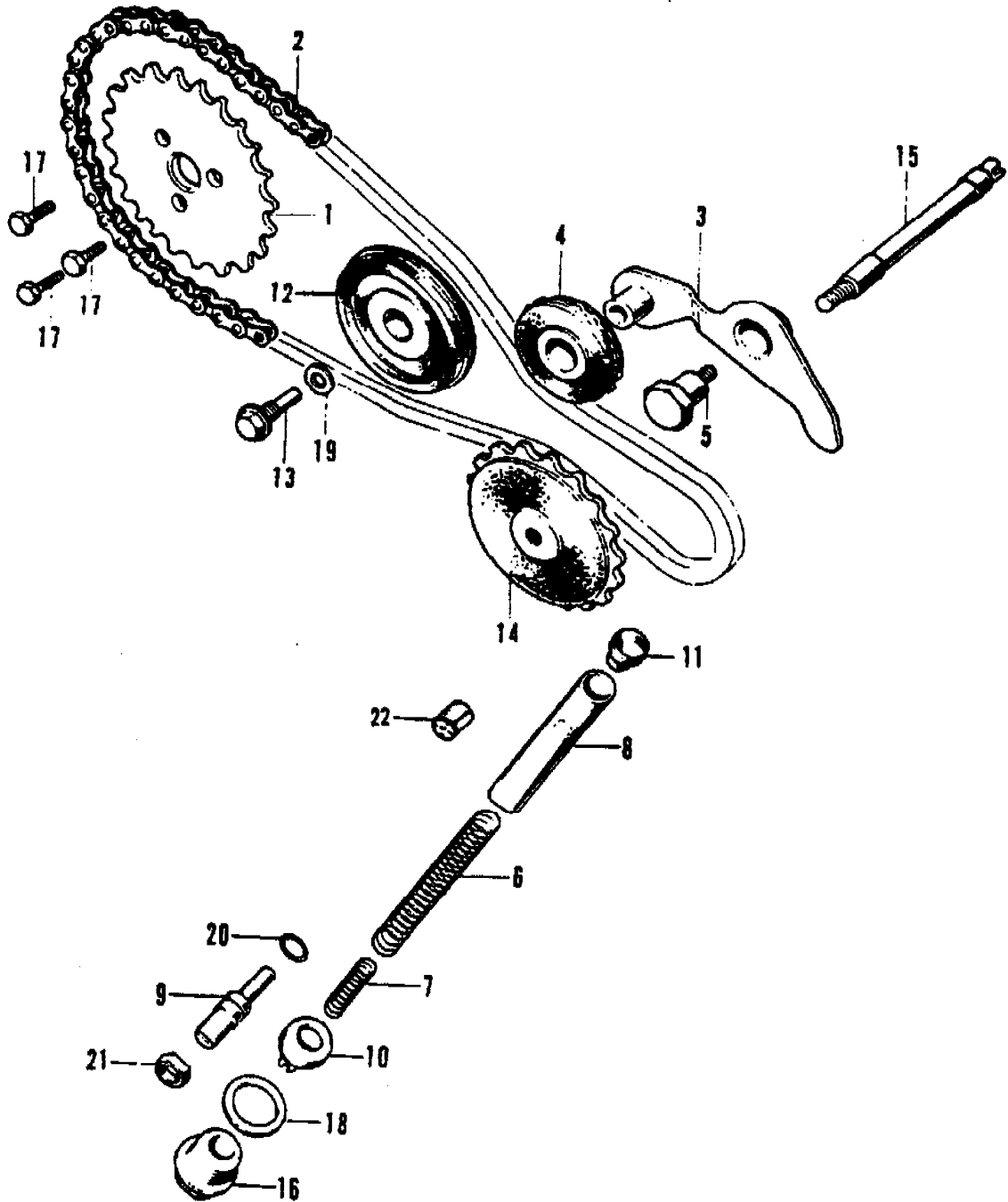
Left Crankcase Cover - Generator



Left Crankcase Cover . Generator

Ref. No.	W/C	Part Number	Description	250 K1 K2 K3 K4 K5					Remarks	
1	20131	11341-045-030	COVER, LEFT CRANKCASE.....	1	1	1	-	-	-	
	27161	11341-120-010	COVER, LEFT CRANKCASE.....	-	-	-	1	1	1	
2	17579	30202-041-015	BREAKER, CONTACT.....	1	1	1	1	1	1	
3	17546	30205-041-005	FELT, OIL.....	1	1	1	1	1	1	
4	17547	30250-041-005	CONDENSER.....	1	1	1	-	-	-	
	28787	30250-035-005	CONDENSER.....	-	-	-	1	1	1	
5	17545	30540-045-670	COIL, PRIMARY.....	1	1	-	-	-	-	F 250A-100001 TO 250A-120087
	18195	30540-041-005	COIL, PRIMARY.....	-	1	-	-	-	-	F 250A-120088 TO 250A-270235
	21892	30540-045-672	COIL, PRIMARY.....	-	-	1	1	1	1	F 250A-270236 TO
6	20390	31100-045-672	A.C. GENERATOR, FLYWHEEL.....	1	1	-	-	-	-	F 250A-100001 TO 250A-270235
	21893	31100-045-673	A.C. GENERATOR, FLYWHEEL.....	-	-	1	-	-	-	F 250A-270236 TO
	28788	31100-120-005	A.C. GENERATOR, FLYWHEEL.....	-	-	-	1	1	1	
7	20357	31121-045-015	FLYWHEEL.....	1	1	1	1	1	1	
8	17552	31141-045-670	STATOR ASSY.....	1	1	-	-	-	-	F 250A-100001 TO 250A-120087
	18197	31141-045-671	STATOR ASSY.....	-	1	-	-	-	-	F 250A-120088 TO 250A-270235
	21894	31141-045-672	STATOR ASSY.....	-	-	1	-	-	-	F 250A-270236 TO
	28789	31141-120-005	STATOR ASSY.....	-	-	-	1	1	1	
9	21323	31631-045-671	COIL, LIGHT.....	-	1	-	-	-	-	F 250A-120088 TO 250A-270235
	21895	31631-045-672	COIL, LIGHT.....	-	-	1	1	1	1	F 250A-270236 TO
10	17553	32971-045-670	GROMMET, CORD.....	1	1	-	-	-	-	F 250A-100001 TO 250A-120087
	07023	32971-035-000	GROMMET, CORD.....	-	1	1	1	1	1	F 250A-120088 TO
11	07024	32981-035-000	GROMMET, NEUTRAL SWITCH CORD.....	1	1	1	1	1	1	
12	07092	90426-035-000	WASHER, MAGNETO FIXING.....	1	1	1	1	1	1	
13	07102	91202-035-000	OIL SEAL, 18.9X30X5.....	1	1	1	1	1	1	
14	06954	91301-035-000	O RING, 107X2.....	1	1	1	1	1	1	
15	07103	91317-703-000	O RING, 6X1.7.....	2	2	2	2	2	2	
16	05749	93500-06020	SCREW, PAN, 6X20.....	2	2	2	2	2	2	
17	07995	93500-06036	SCREW, PAN, 6X36.....	1	1	1	1	1	1	
18	05579	93600-06016	SCREW, FLAT, 6X16.....	2	2	2	2	2	2	
19	22302	94030-10000	NUT, HEX., 10MM.....	1	1	1	1	1	1	

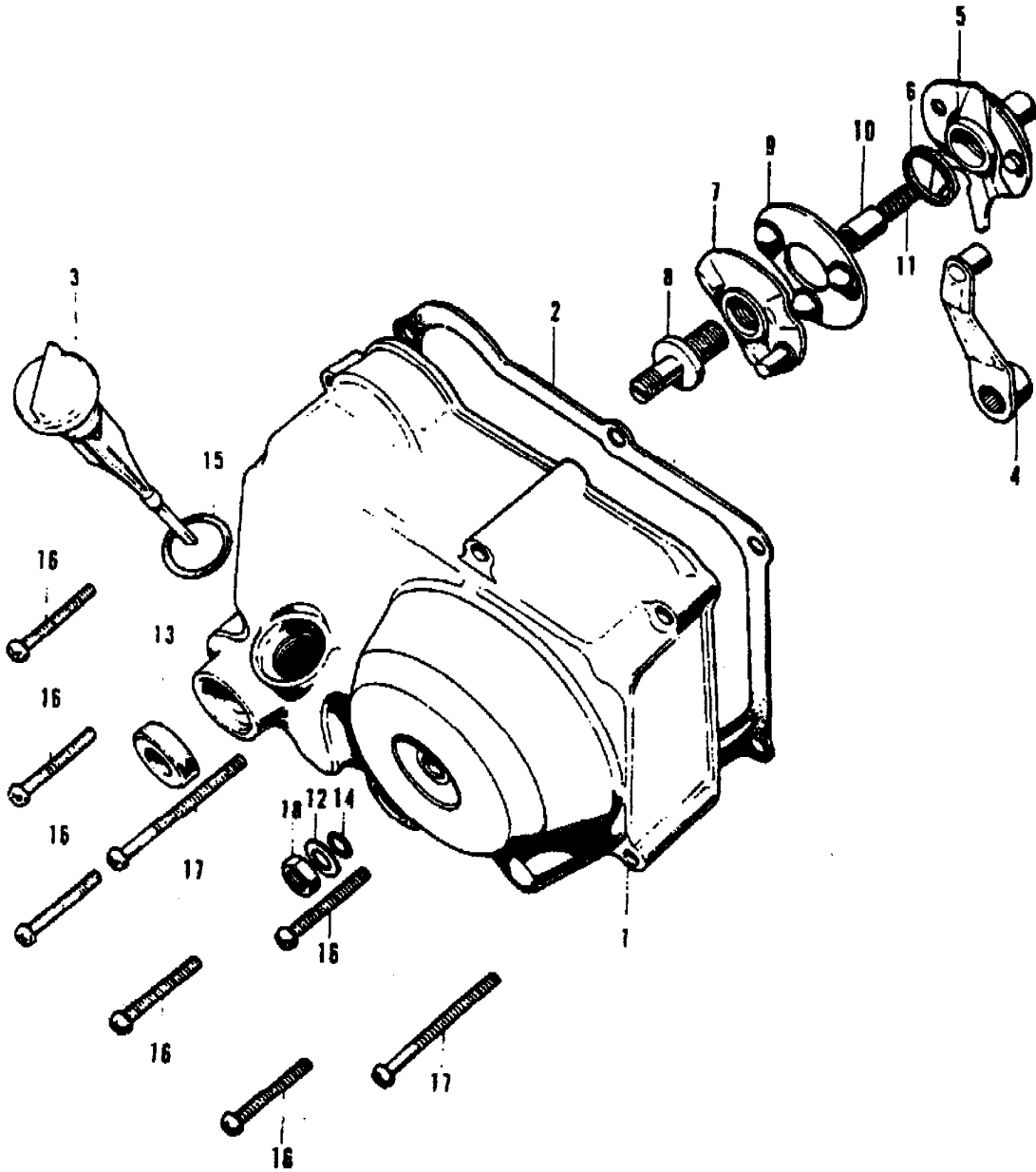
Cam Chain Tensioner



Cam Chain . Cam Chain tensioner

Ref. No.	M/C	Part Number	Description	250 K1 K2 K3 K4 K5					Remarks
1	14208	14321-035-010	SPROCKET, CAM.....	1	1	1	1	1	
2	06979	14401-035-000	CHAIN, CAM #82L, DAIDO.....	1	1	1	-	-	
	27694	14401-035-005	CHAIN, CAM #82L, TAKASAGO.....	-	-	-	1	1	
3	17423	14500-035-010	ARM, TENSIONER.....	1	1	1	1	1	
4		14502-035-010	NOT AVAILABLE USE, 14502-086-000...						
	27067	14502-086-000	ROLLER, CAM CHAIN TENSIONER.....	1	1	1	1	1	
5	06985	14531-035-000	PIVOT, CAM CHAIN TENSIONER.....	1	1	1	1	1	
6	17425	14541-035-010	SPRING, TENSIONER.....	1	1	1	-	-	
	27068	14541-086-010	SPRING, TENSIONER.....	-	-	-	1	1	
7	27069	14542-086-000	SPRING B, TENSIONER.....	-	-	-	1	1	
8	17426	14551-035-020	ROD, TENSIONER PUSH.....	1	1	1	-	-	
	27070	14550-086-010	ROD COMP., TENSIONER PUSH.....	-	-	-	1	1	
9	27071	14561-086-010	BOLT, TENSIONER ADJUSTING.....	-	-	-	1	1	
10	27072	14562-086-000	BOLT B, TENSIONER ADJUSTING.....	-	-	-	1	1	
11	06986	14566-035-000	RUBBER, TENSIONER PUSH ROD HEAD...	1	1	1	-	-	
	27073	14566-086-030	RUBBER, TENSIONER PUSH ROD HEAD...	-	-	-	1	1	
12	27088	14610-086-000	ROLLER, CAM CHAIN GUIDE.....	1	1	1	1	1	
		14610-035-010	NOT AVAILABLE USE, 14610-086-000..						
13	06981	14615-035-000	PIN, GUIDE ROLLER.....	1	1	1	1	1	
14	11672	14670-035-030	SPROCKET, CAM CHAIN GUIDE.....	1	1	1	1	1	
15	17427	14675-035-060	SPINDLE, CAM CHAIN GUIDE SPROCKET.	1	1	1	1	1	
16	07083	90081-035-000	BOLT, SEALING, 14MM.....	1	1	1	-	-	
	27077	90081-086-000	BOLT, SEALING, 14MM.....	-	-	-	1	1	
17	07087	90083-035-000	BOLT, KNOCK, 5MM.....	3	3	3	-	-	
	18149	90083-035-010	BOLT, KNOCK, 5MM.....	-	-	-	3	3	
18	07095	90441-035-000	WASHER, SEALING, 14MM.....	1	1	1	1	1	
19	07093	90481-035-000	WASHER, 8MM.....	1	1	1	1	1	
20	02202	91301-216-000	O RING, 5.5X1.5.....	-	-	-	1	1	
21	16733	94001-08000-05	NUT, HEX., 8MM.....	-	-	-	1	1	
22	12005	14591-028-000	VALVE CHECK.....	1	1	1	-	-	

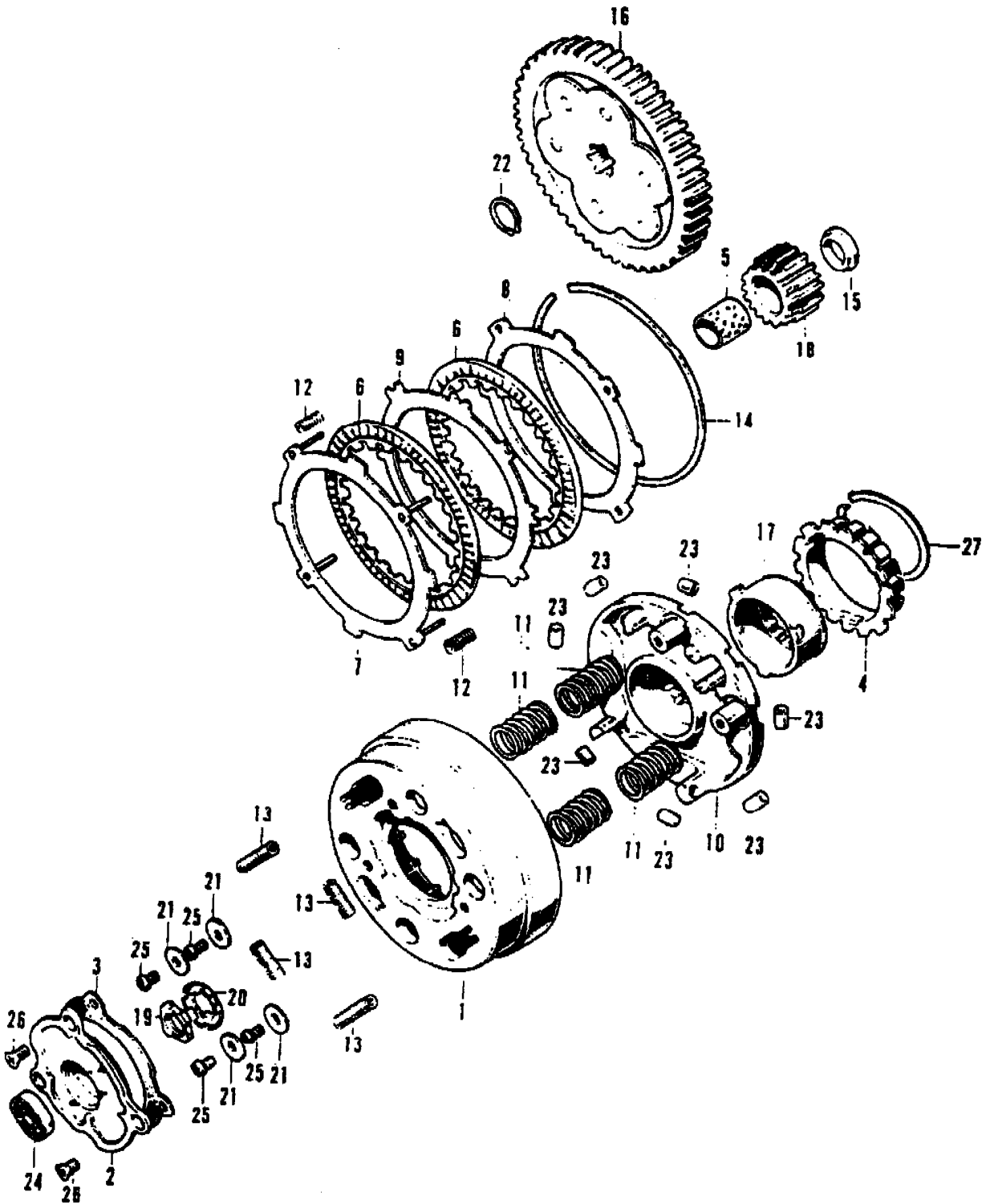
Right Crankcase Cover



Right Crankcase Cover

Ref. No.	M/C	Part Number	Description	250	K1	K2	K3	K4	K5	Remarks
1	17403	11330-045-010	COVER, RIGHT CRANKCASE.....	1	1	1	1	1	1	
2	06953	11394-035-000	GASKET, RIGHT CRANKCASE COVER.....	1	1	1	-	-	-	
	14222	11394-035-010	GASKET, RIGHT CRANKCASE COVER.....	-	-	-	1	1	1	
3	17430	15650-051-690	GAUGE, OIL LEVER.....	1	1	1	-	-	-	
	26812	15650-098-730	GAUGE, OIL LEVER.....	-	-	-	1	1	1	
4	17472	22811-040-020	LEVER, CLUTCH.....	1	1	1	1	1	1	
5	08782	22820-046-000	PLATE, CLUTCH CAM.....	1	1	1	-	-	-	
	23505	22820-918-000	PLATE, CLUTCH CAM.....	-	-	-	1	1	1	
6	08783	22825-046-000	SPRING, CAM PLATE SIDE.....	1	1	1	1	1	1	
7	17473	22830-041-000	PLATE, CLUTCH LIFTER.....	1	1	1	1	1	1	
8	17476	22846-040-010	BOLT, CLUTCH ADJUSTING.....	1	1	1	1	1	1	
9	14153	22860-041-000	RETAINER, BALL.....	1	1	1	1	1	1	
10	17573	25551-040-007	THROUGH, OIL..... (SUPERSEDED BY 25551-918-000)	1	1	1	-	-	-	
	23430	25551-918-000	THROUGH, OIL.....	1	1	1	1	1	1	
11	17572	25555-065-000	SPRING, OIL THROUGH.....	1	1	1	1	1	1	
12	17493	90485-040-000	WASHER, 8MM.....	1	1	1	1	1	1	
13	02706	91202-216-000	OIL SEAL, SB TYPE, 14-24-5.....	1	1	1	1	1	1	
14	00320	91303-001-000	O RING, 8MM.....	1	1	1	1	1	1	
15	12807	91311-044-000	O RING, 18X3.....	1	1	1	1	1	1	
16	05760	93500-06038-02	SCREW, PAN, 6X38.....	6	6	6	-	-	-	
	05759	93500-06038	SCREW, PAN, 6X38.....	-	-	-	6	6	6	
17	05769	93500-06065	SCREW, PAN, 6X65.....	2	2	2	2	2	2	
18	11468	94030-08000	NUT, HEX., 8MM.....	1	1	1	1	1	1	
19	21896	43458-045-670	CABLE GUIDE, REAR BRAKE..... (NOT ILLUSTRATED)	-	-	1	1	1	-	F 250A-270236 TO

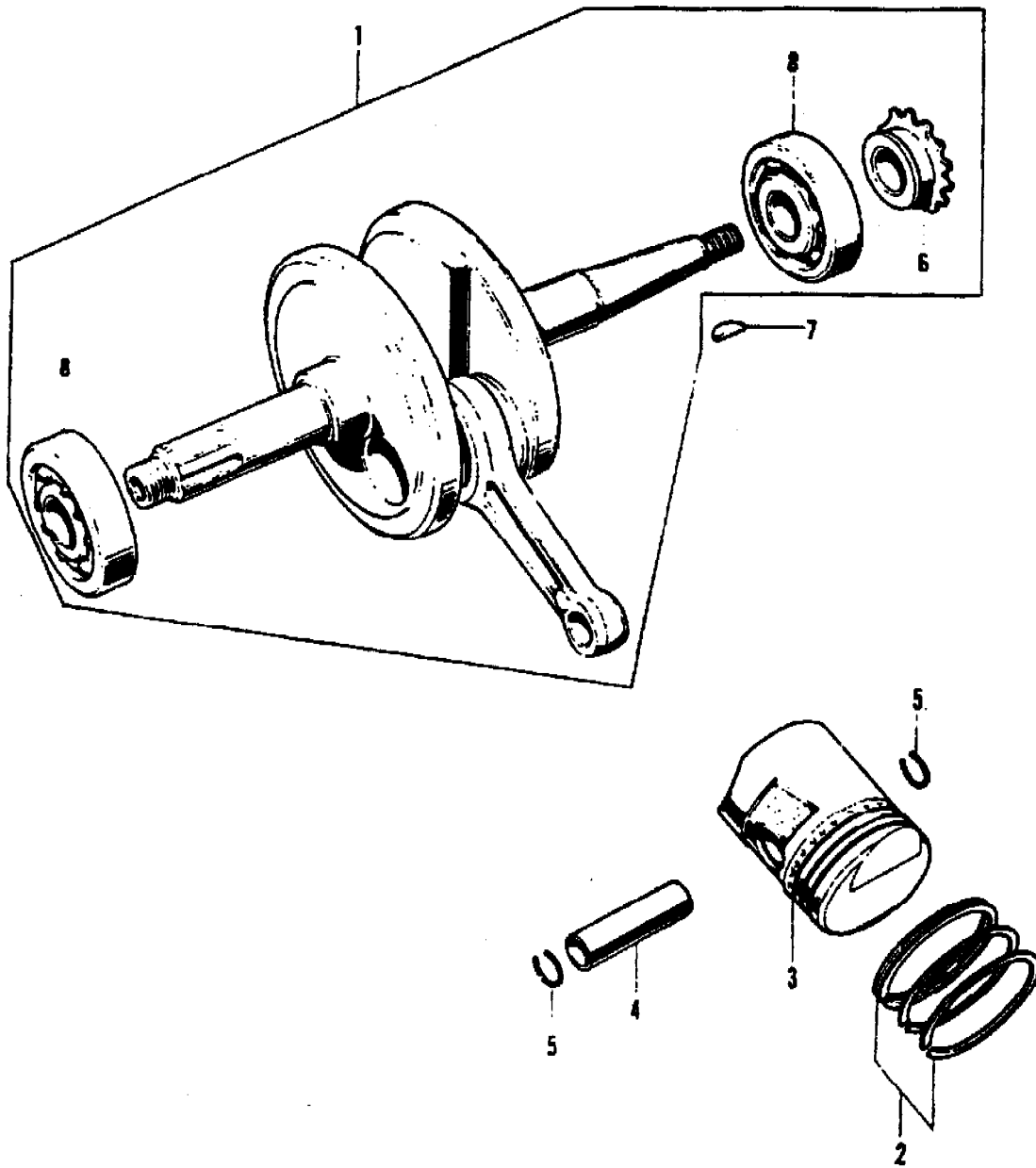
Clutch



Clutch

Ref. No.	H/C	Part Number	Description	250	K1	K2	K3	K4	K5	Remarks
1	18150	22101-040-030	OUTER, CLUTCH.....	1	1	1	1	1	1	
2	17462	22111-040-000	COVER, CLUTCH OUTER.....	1	1	1	1	1	1	
3	17463	22119-040-000	GASKET, CLUTCH OUTER COVER.....	1	1	1	1	1	1	
4	17464	22120-040-010	CENTER, CLUTCH 17T.....	1	-	-	-	-	-	F 250A-100001 TO 250A-103192
	20173	22120-040-020	CENTER, CLUTCH 17T.....	-	1	-	-	-	-	F 250A-103193 TO 250A-217925
	20386	22120-040-030	CENTER, CLUTCH 17T.....	-	1	1	1	1	1	F 250A-217926 TO
5	12375	22131-035-020	GUIDE, CLUTCH CENTER.....	1	1	1	1	1	1	
6	17465	22201-040-000	DISK, CLUTCH FRICTION.....	2	2	2	2	2	2	
7	17295	22310-041-010	PLATE A, CLUTCH.....	1	1	1	1	1	1	
8	17466	22321-041-000	PLATE B, CLUTCH.....	1	1	1	1	1	1	
9	17467	22331-041-000	PLATE C, CLUTCH.....	1	1	1	1	1	1	
10	18151	22351-040-070	PLATE, DRIVE.....	1	1	-	-	-	-	F 250A-100001 TO 250A-217925
	20387	22351-040-080	PLATE, DRIVE.....	-	1	1	1	1	1	F 250A-217926 TO
11	17469	22401-040-010	SPRING, CLUTCH.....	4	4	4	4	4	4	
12	17470	22411-041-000	SPRING, CLUTCH, FREE.....	4	4	4	4	4	4	
13	17471	22421-040-000	SPRING, CLUTCH, DAMPER.....	4	4	4	4	4	4	
14	00334	22901-001-000	SET RING, 101.5MM.....	1	1	1	1	1	1	
15	07048	22911-035-010	COLLAR, 17MM.....	1	1	1	1	1	1	
16	18521	23110-087-000	GEAR, PRIMARY DRIVEN *67T*.....	1	1	1	1	1	1	
17	17478	23112-041-010	GEAR, OUTER DRIVE *18T*.....	1	-	-	-	-	-	F 250A-100001 TO 250A-103192
	20129	23112-041-030	GEAR, OUTER DRIVE *18T*.....	-	1	-	-	-	-	F 250A-103193 TO 250A-217925
	20388	23112-041-040	GEAR, OUTER DRIVE *18T*.....	-	1	1	1	1	1	F 250A-217926 TO
18	17479	23120-036-010	GEAR, PRIMARY DRIVE *18T*.....	1	1	-	-	-	-	F 250A-100001 TO 250A-217925
	20389	23120-041-000	GEAR, PRIMARY DRIVE *18T*.....	-	1	1	1	1	1	F 250A-217926 TO
19	16917	90231-041-000	NUT, LOCK, 14MM.....	1	1	1	1	1	1	
20	00478	90431-001-000	WASHER, LOCK, 14MM.....	1	1	1	1	1	1	
21	08579	90483-040-000	WASHER, STOPPER.....	4	4	4	4	4	4	
22	00370	90601-001-000	CIRCLIP, 17MM.....	1	1	1	1	1	1	
23	17494	91102-041-000	ROLLER, 8X10.....	8	8	8	8	8	8	
24	05315	96100-60000	BEARING, BALL, 6000.....	1	1	1	1	1	1	
25	05710	93500-05008	SCREW, PAN, 5x8.....	4	4	-	-	-	-	F 250A-100001 TO 250A-108295
	14554	93500-05008-0A	SCREW, PAN, 5x8.....	-	4	4	4	4	4	F 250A-108296 TO
26	05563	93600-05010	SCREW, FLAT, 5x10.....	3	3	-	-	-	-	F 250A-100001 TO 250A-108295
	18152	93600-05010-0A	SCREW, FLAT, 5x10.....	-	3	3	3	3	3	F 250A-108296 TO
27	17457	22901-040-000	SET RING, 45MM.....	1	-	-	-	-	-	F 250A-100001 TO 250A-103192
	20130	90602-041-000	CIRCLIP, 45MM.....	-	1	-	-	-	-	F 250A-103193 TO

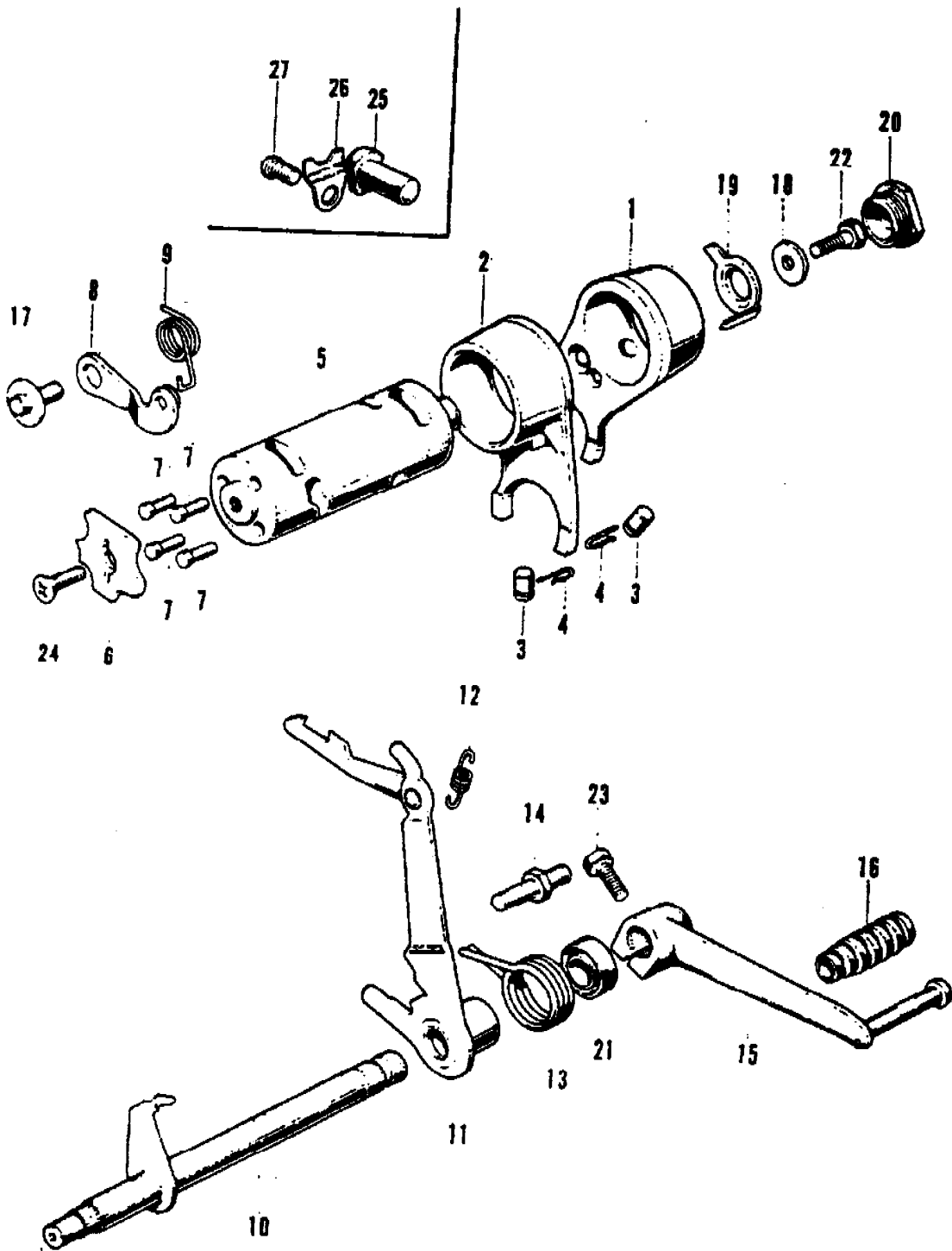
Crankshaft - Piston



Crankshaft . Piston

Ref. No.	H/C	Part Number	Description	250 K1 K2 K3 K4 K5						Remarks
1	17410	13000-041-030	CRANKSHAFT ASSY.....	1	1	1	1	1	1	
2	17411	13010-036-000	RING SET, PISTON *STD*.....	1	1	1	1	1	1	
	17412	13020-036-000	RING SET, PISTON *0.25*.....	1	1	1	1	1	1	
	17413	13030-036-000	RING SET, PISTON *0.50*.....	1	1	1	1	1	1	
	17414	13040-036-000	RING SET, PISTON *0.75*.....	1	1	1	1	1	1	
	17415	13050-036-000	RING SET, PISTON *1.00*.....	1	1	1	1	1	1	
3	17416	13101-036-010	PISTON *STD*.....	1	1	1	1	1	1	
	17417	13102-036-010	PISTON *0.25*.....	1	1	1	1	1	1	
	17418	13103-036-010	PISTON *0.50*.....	1	1	1	1	1	1	
	17419	13104-036-010	PISTON *0.75*.....	1	1	1	1	1	1	
	17420	13105-036-010	PISTON *1.00*.....	1	1	1	1	1	1	
4	17421	13111-036-000	PIN, PISTON.....	1	1	1	1	1	1	
5	00147	13115-001-000	CLIP, PISTON PIN.....	2	2	2	2	2	2	
6	06976	14311-035-000	SPROCKET, TIMING.....	1	1	1	1	1	1	
7	07089	90741-035-000	KEY, WOODRUFF.....	1	1	1	1	1	1	
8	05336	96100-63040	BEARING, BALL, 6304.....	2	2	2	2	2	2	

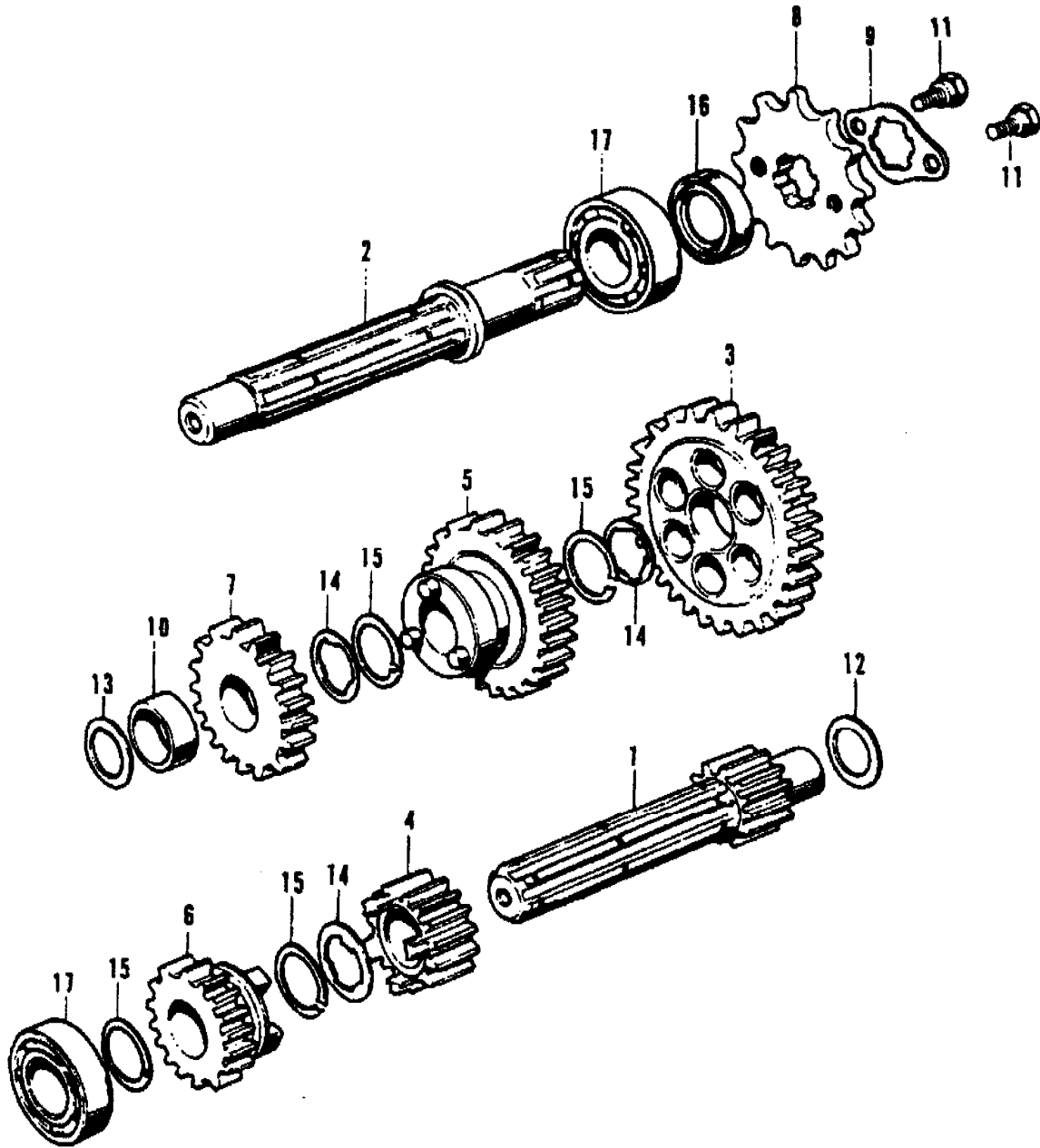
Gear Shift



Gear Shift

Ref. No.	M/C	Part Number	Description	250	K1	K2	K3	K4	K5	Remarks
1		24211-041-000	NOT AVAILABLE USE, 24211-087-303...							
	29747	24211-087-303	FORK LEFT SHIFT.....	1	1	1	1	1	1	
2	17563	24221-041-000	FORK, GEAR SHIFT, RIGHT.....	1	1	1	1	1	1	
3	11696	24261-028-010	PIN, SHIFT FORK GUIDE.....	2	2	2	2	2	2	
4	01426	24263-028-000	CLIP, GEAR SHIFT GUIDE PIN.....	2	2	2	2	2	2	
5	17564	24301-045-670	DRUM, GEAR SHIFT.....	1	1	1	1	1	1	
6	17565	24411-041-020	PLATE, SHIFT DRUM STOPPER.....	1	1	1	1	1	1	
7	17566	24421-041-000	PIN, SHIFT DRUM.....	4	4	4	4	4	4	
8	17567	24430-041-000	STOPPER, SHIFT DRUM.....	1	1	1	1	1	1	
9	11635	24435-040-000	SPRING, SHIFT DRUM STOPPER.....	1	1	1	1	1	1	
10	26795	24610-098-730	SPINDLE, GEAR SHIFT.....	1	1	1	1	1	1	
	17568	24610-040-020	SPINDLE, GEAR SHIFT..... (SUPERSEDED BY 24610-098-730)	1	1	1	-	-	-	
11	27076	24630-086-000	ARM, GEAR SHIFT.....	1	1	1	1	1	1	
	17569	24630-040-040	ARM, GEAR SHIFT.....	1	1	1	-	-	-	
12	13274	24641-041-000	SPRING, GEAR SHIFT ARM.....	1	1	1	1	1	1	
13	17570	24651-041-000	SPRING, GEAR SHIFT RETURN.....	1	1	1	1	1	1	
14	07069	24652-035-000	PIN, SHIFT RETURN SPRING.....	1	1	1	1	1	1	
15	28784	24700-120-000	PEDAL, GEAR CHANGE.....	1	1	1	1	1	1	
	20150	24700-098-670	PEDAL, GEAR CHANGE.....	1	1	1	-	-	-	
16	25569	95011-40000	RUBBER, GEAR CHANGE PEDAL.....	1	1	1	1	1	1	
17	14116	90023-041-000	PIVOT, SHIFT DRUM STOPPER ARM.....	1	1	1	1	1	1	
18	12405	90417-041-000	WASHER, SIDE SHIFT DRUM.....	1	1	1	1	1	1	
19	17492	90484-045-010	WASHER, 13.2MM.....	1	1	1	1	1	1	
20	06950	90801-035-000	PLUG, RUBBER, 19MM.....	1	1	1	1	1	1	
21	00498	91203-001-000	OIL SEAL, 511.6-24-10.....	1	1	1	1	1	1	
22	05423	92000-06016	BOLT, HEX., 6X16.....	1	1	1	1	1	1	
23	05427	92000-06020	BOLT, HEX., 6X20.....	1	1	1	1	1	1	
24	05579	93600-06016	SCREW, FLAT, 6X16.....	1	1	1	1	1	1	
25	17405	11926-020-000	PLUG, SEALING, 10MM.....	1	1	-	-	-	-	F 250A-100001 TO 250A-103922
26	00248	35755-001-020	PLATE, CONTACT FIXING.....	1	1	-	-	-	-	F 250A-100001 TO 250A-103922
27	05742	93500-06012	SCREW, PAN, 6X12.....	1	1	-	-	-	-	F 250A-100001 TO 250A-103922

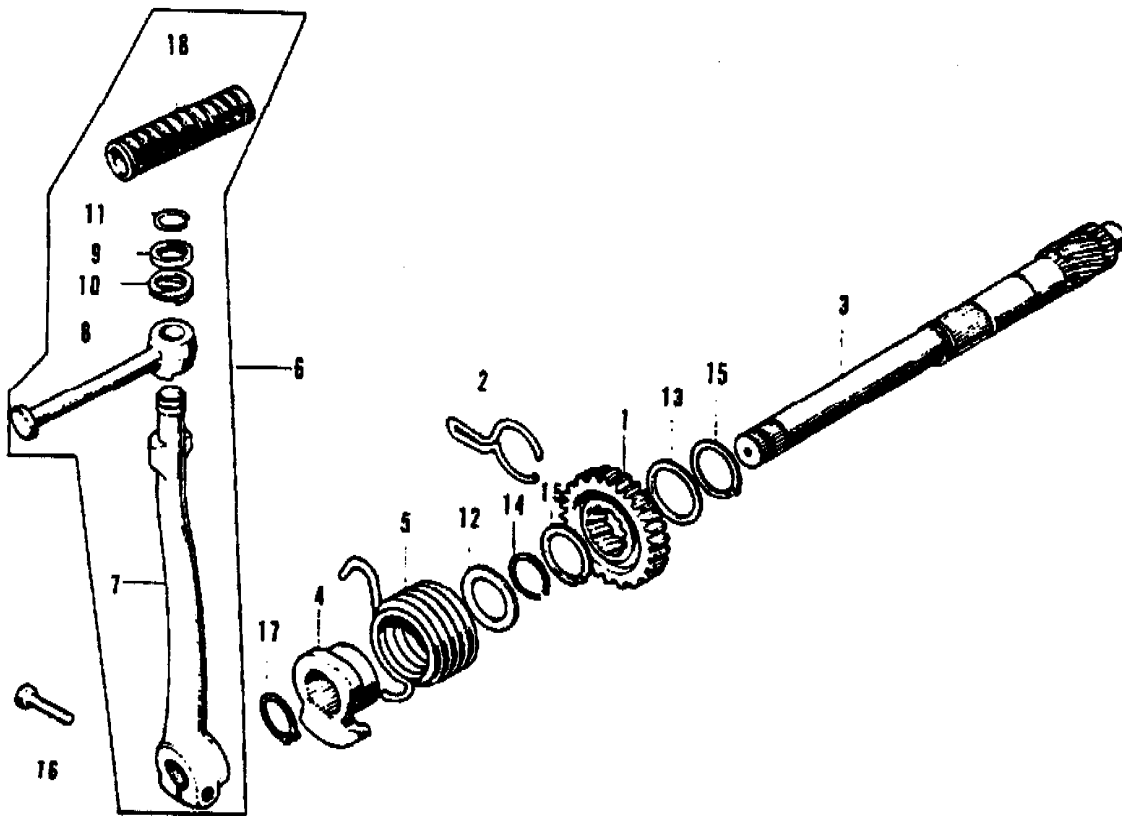
Transmission



Transmission

Ref. No.	H/C	Part Number	Description	250	K1	K2	K3	K4	K5	Remarks
1	17480	23211-041-020	SHAFT, MAIN, TRANSMISSION #117#....	1	1	1	1	1	1	
2	17481	23221-041-040	SHAFT, COUNTER, TRANSMISSION.....	1	1	1	1	1	1	
3	17482	23421-076-000	GEAR, LOW, COUNTER SHAFT #35T#....	1	1	1	1	1	1	
4	17483	23431-041-040	GEAR, SECOND, MAIN SHAFT #177#....	1	1	1	1	1	1	
5	17484	23441-041-060	GEAR, SECOND, COUNTER SHAFT #31T#..	1	1	1	1	1	1	
6	17485	23471-041-040	GEAR, TOP, MAIN SHAFT #21T#.....	1	1	1	1	1	1	
7	17486	23481-041-020	GEAR, TOP, COUNTER SHAFT.....	1	1	1	1	1	1	
8	17487	23800-045-000	SPROCKET, DRIVE, #13T#.....	1	1	-	-	-	-	F 250A-100001 TO 250A-106900
	18057	23800-045-670	SPROCKET, DRIVE, #12T#.....	-	1	-	-	-	-	F 250A-106901 TO 250A-120087
	18194	23800-045-671	SPROCKET, DRIVE, #12T#.....	-	1	1	1	1	1	F 250A-120088 TO
9	17488	23802-041-000	PLATE, DRIVE SPROCKET FIXING.....	1	1	-	-	-	-	F 250A-100001 TO 250A-106900
	18058	23802-065-305	PLATE, DRIVE SPROCKET FIXING.....	-	1	1	1	1	1	F 250A-106901 TO
10	17489	23911-041-010	COLLAR, GEAR.....	1	1	1	1	1	1	
11	17499	90084-041-000	BOLT, DRIVE SPROCKET FIXING.....	2	2	2	2	2	2	
12	00467	90451-001-000	WASHER, THRUST.....	1	1	1	1	1	1	
13	07090	90451-035-000	WASHER, THRUST, 13.5MM.....	1	1	1	1	1	1	
14	00372	90461-001-000	WASHER, SPLINE, 17MM..... (SUPERSEDED BY 90461-035-000)	3	3	3	3	3	3	
	18561	90461-035-000	WASHER, SPLINE, 17MM.....	3	3	3	3	3	3	
15	00370	90601-001-000	CIRCLIP, 17MM.....	4	4	4	4	4	4	
16	07104	91203-035-000	OIL SEAL, 17X29X5.....	1	1	1	1	1	1	
17	05325	96100-62030	BEARING, BALL, 6203.....	2	2	2	2	2	2	

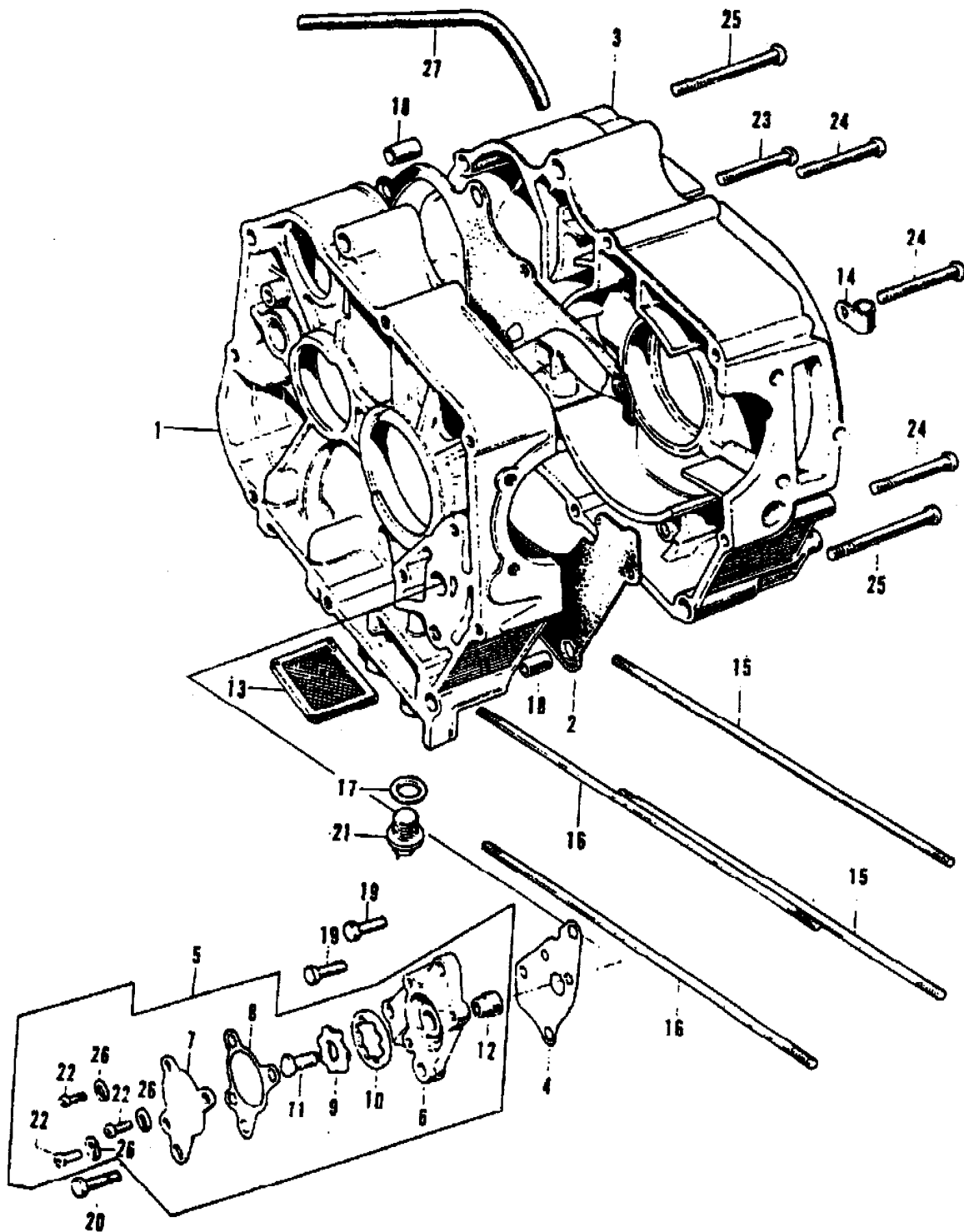
Kick Starter



KICK STARTER

Ref. No.	M/C	Part Number	Description	Z50	K1	K2	K3	K4	K5	Remarks
1	17574	28211-040-035	PINION, KICK STARTER 6X22.....	1	1	1	1	1	1	
2	17575	28223-035-035	SPRING, KICK STARTER MATCHET.....	1	1	1	1	1	1	
3	17576	28251-035-065	SPINDLE, KICK STARTER.....	1	1	1	1	1	1	
4	17577	28262-035-020	RETAINER, KICK SPRING.....	1	1	1	1	1	1	
5	17578	28281-035-010	SPRING, KICK STARTER.....	1	1	1	1	1	1	
6	09542	28300-033-000	ARM ASSY., KICK STARTER.....	1	1	1	-	-	-	
	27182	28300-120-000	ARM ASSY., KICK STARTER.....	-	-	-	1	1	1	
7	02646	28301-216-000	ARM, KICK STARTER.....	1	1	1	-	-	-	
	27183	28301-120-000	ARM, KICK STARTER.....	-	-	-	1	1	1	
8	01835	28302-033-000	PEDAL, KICK STARTER.....	1	1	1	1	1	1	
9	00423	28303-001-000	WASHER, KICK STARTER KNUCKLE.....	1	1	1	1	1	1	
10	00425	28322-001-000	SPRING, KICK STARTER KNUCKLE.....	1	1	1	1	1	1	
11	00424	28324-001-000	CLIP, KICK STARTER KNUCKLE.....	1	1	1	1	1	1	
12	08297	90451-040-000	WASHER, THRUST, 17MM.....	1	1	1	1	1	1	
13	17491	90482-035-025	WASHER, 20MM.....	1	1	1	1	1	1	
14	00370	90601-001-000	CIRCLIP, 17MM.....	1	1	1	1	1	1	
15	09724	90605-200-000	SET RING, 20MM.....	2	2	2	2	2	2	
16	05429	92000-06022	BOLT, HEX., 6X22.....	1	1	1	1	1	1	
17	06934	94510-16000	CIRCLIP, 16MM.....	1	1	1	1	1	1	
18	25065	95011-51000	RUBBER, KICK STARTER.....	1	1	1	1	1	1	

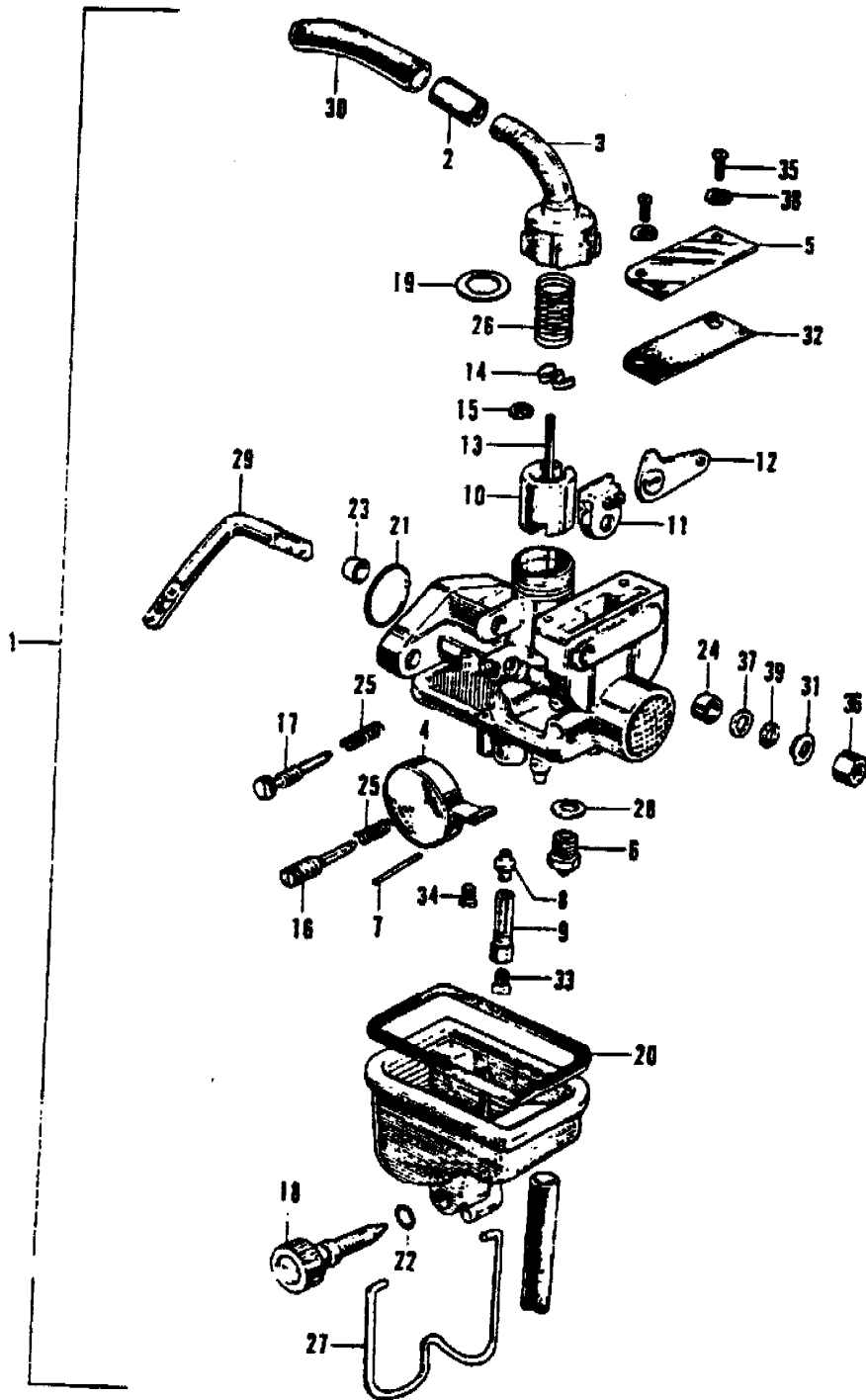
Crankcase - Oil Pump



CRANKCASE - Oil Pump

Ref. No.	H/C	Part Number	Description	250	K1	K2	K3	K4	K5	Remarks
1	20136	11100-045-010	CRANKCASE, RIGHT.....	1	1	1	1	1	1	
2	20137	11191-045-000	GASKET, RIGHT CRANKCASE.....	1	1	1	-	-	-	
	18563	11191-035-050	GASKET, RIGHT CRANKCASE.....	-	-	-	1	1	1	
3	20138	11200-045-050	CRANKCASE, LEFT.....	1	1	1	-	-	-	
	27434	11200-120-000	CRANKCASE, LEFT.....	-	-	-	1	1	1	
4	11798	15119-035-020	GASKET, OIL PUMP BODY.....	1	1	1	1	1	1	
5	13149	15300-035-000	PUMP ASSY., OIL.....	1	1	1	1	1	1	
6	18153	15311-035-013	BODY, OIL PUMP.....	1	1	1	1	1	1	
7	13151	15321-035-000	COVER, OIL PUMP.....	1	1	1	1	1	1	
8	13152	15329-035-000	GASKET, OIL PUMP COVER.....	1	1	1	1	1	1	
9	13153	15331-035-000	ROTOR, INNER, OIL PUMP.....	1	1	1	1	1	1	
10	13154	15332-035-000	ROTOR, OUTER, OIL PUMP.....	1	1	1	1	1	1	
11	13155	15382-035-000	SHAFT, OIL PUMP DRIVE.....	1	1	1	1	1	1	
12	13156	15383-035-000	PIN, OIL PUMP KNOCK.....	1	1	1	1	1	1	
13	07002	15421-035-010	SCREEN, OIL FILTER.....	1	1	1	1	1	1	
14	17434	16236-045-000	CLAMPER, OVERFLOW PIPE.....	1	1	1	-	-	-	
	25327	16236-045-010	CLAMPER, OVERFLOW PIPE.....	-	-	-	1	1	1	
15	08287	90031-035-010	STUD, CYLINDER.....	2	2	2	2	2	2	
16	07086	90032-035-000	STUD B, CYLINDER.....	2	2	2	2	2	2	
17	21834	90407-231-000	PACKING, DRAIN COCK.....	1	1	1	1	1	1	
18	13034	90704-035-000	PIN, KNOCK, 10X14A.....	2	2	2	2	2	2	
19	05423	92000-06016	BOLT, HEX., 6X16.....	2	2	2	2	2	2	
20	05427	92000-06020	BOLT, HEX., 6X20.....	1	1	1	1	1	1	
21	05397	92800-12000	BOLT, DRAIN COCK.....	1	1	1	1	1	1	
22	15697	93500-05010-DA	SCREW, PAN, 5X10.....	3	3	3	3	3	3	
23	05764	93500-06048	SCREW, PAN, 6X48.....	1	1	1	1	1	1	
24	05768	93500-06060	SCREW, PAN, 6X60.....	3	3	3	3	3	3	
25	05769	93500-06065	SCREW, PAN, 6X65.....	4	4	4	4	4	4	
26	05896	94111-05000	WASHER, SPRING, 5MM.....	3	3	3	3	3	3	
27	17431	15761-045-000	PIPE, BREATHER.....	1	1	1	-	-	-	
		95001-50000	NOT AVAILABLE USE, 95001-50000-90..							
	35889	95001-50000-90	PIPE, BREATHER.....	-	-	-	1	1	1	

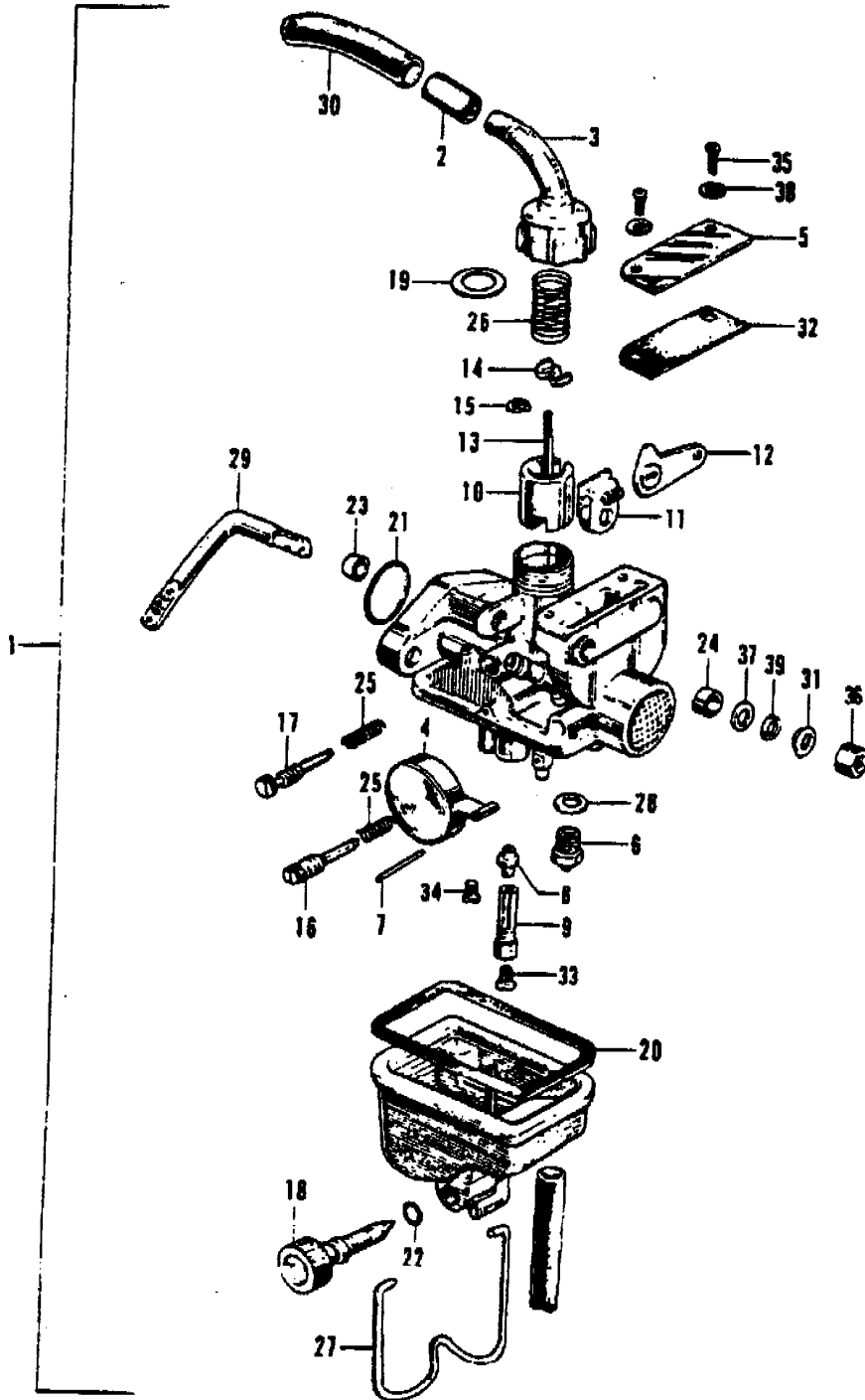
Carburetor



Carburetor

Ref. No.	H/C	Part Number	Description	750 K1 K2 K3 K4 K5					Remarks	
1	17607	16100-045-670	CARBURETOR ASSY..... (SUPERSEDED BY 16100-045-671)	1	1	1	-	-	-	
	25882	16100-045-671	CARBURETOR ASSY.....	1	1	1	-	-	-	
2		16118-045-004	DISCONTINUED REFER TO PAGE 35..... REF. NO. 5							
3		16119-045-004	DISCONTINUED REFER TO PAGE 35..... REF. NO. 5							
4	17610	16122-049-004	FLOAT.....	1	1	1	-	-	-	
5	17611	16123-049-004	COVER, CHOKE.....	1	1	1	-	-	-	
6		16125-045-004	DISCONTINUED REFER TO PAGE 35..... REF. NO. 2							
7		16126-011-004	DISCONTINUED REFER TO PAGE 35..... REF. NO. 4							
8		16133-045-004	DISCONTINUED REFER TO PAGE 35..... REF. NO. 3							
9	17615	16139-045-004	HOLDER, NEEDLE JET.....	1	1	-	-	-	-	F 250A-100001 TO 250A-108295
	22800	16139-045-014	HOLDER, NEEDLE JET.....	1	1	1	-	-	-	F 250A-108296 TO
10		16141-045-670	DISCONTINUED REFER TO PAGE 35..... REF. NO. 8							
11	20797	16142-049-004	VALVE, CHOKE.....	1	1	1	-	-	-	
12	17618	16143-050-004	LINK, CHOKE.....	1	1	1	-	-	-	
13		16151-045-670	DISCONTINUED REFER TO PAGE 35..... REF. NO. 3							
14	17620	16156-001-004	PLATE, NEEDLE CLIP.....	1	1	1	-	-	-	
15	13678	16157-259-004	CLIP, BAR.....	1	1	1	-	-	-	
16		16162-049-004	DISCONTINUED REFER TO PAGE 35..... REF. NO. 7							
		16162-045-004	DISCONTINUED REFER TO PAGE 35..... REF. NO. 7							
17		16163-049-004	DISCONTINUED REFER TO PAGE 35..... REF. NO. 7							
		16163-076-004	DISCONTINUED REFER TO PAGE 35..... REF. NO. 6							
18		16164-045-004	DISCONTINUED REFER TO PAGE 35..... REF. NO. 6							
		16164-045-014	DISCONTINUED REFER TO PAGE 35..... REF. NO. 6							
19		16171-049-004	DISCONTINUED REFER TO PAGE 35..... REF. NO. 5							
20		16172-049-004	DISCONTINUED REFER TO PAGE 35..... REF. NO. 1 & 6							
21	17596	16173-023-004	O RING, 150R.....	1	1	1	-	-	-	
22		16174-045-004	DISCONTINUED REFER TO PAGE 35..... REF. NO. 1 & 6							
23	17598	16178-049-004	SEAL.....	1	1	1	-	-	-	
24	17599	16179-049-004	SEAT, SEALING.....	1	1	1	-	-	-	

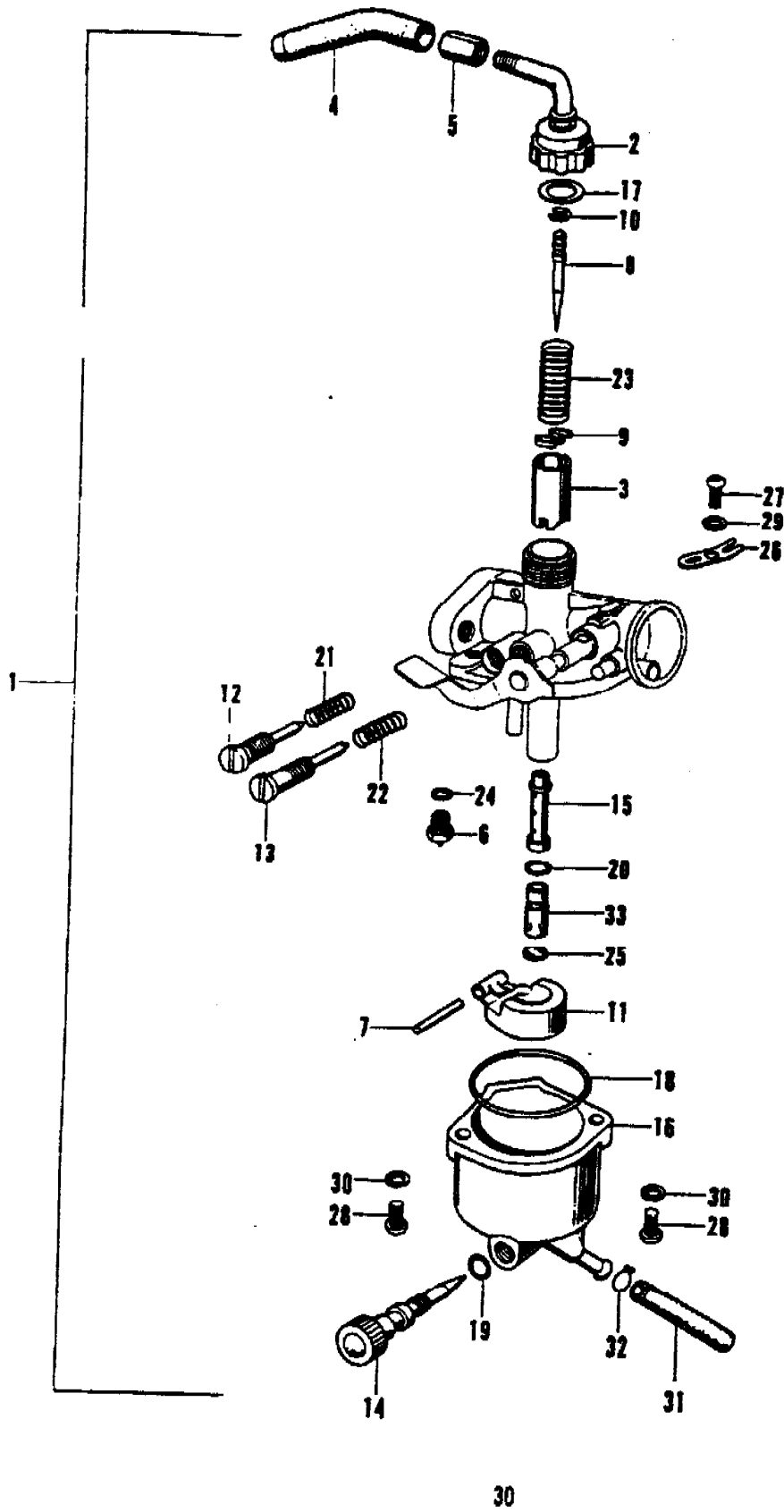
Carburetor



Carburetor

Ref. No.	H/C	Part Number	Description	Z50	K1	K2	K3	K4	K5	Remarks
25	07925	16181-001-004	SPRING, AIR SCREW.....	2	2	2	-	-	-	
26		16185-045-004	DISCONTINUED REFER TO PAGE 35..... REF. NO. 8							
27		16187-045-004	DISCONTINUED REFER TO PAGE 35..... REF. NO. 6							
28		16188-049-004	DISCONTINUED REFER TO PAGE 35..... REF. NO. 1							
29	17603	16192-045-004	LEVER, CHOKE.....	1	1	1	-	-	-	F Z50A-100001 TO Z50A-108295
	24033	16192-050-014	LEVER, CHOKE.....	1	1	1	-	-	-	F Z50A-108296 TO
30		16194-045-004	NOT AVAILABLE USE, 16118-045-770...							
	25124	16118-045-770	CAP, RUBBER.....	1	1	1	-	-	-	
31	17605	16197-049-004	WASHER, STOPPER.....	1	1	1	-	-	-	
32		16198-045-004	DISCONTINUED REFER TO PAGE 35..... REF. NO. 1							
33	17580	99124-05004	JET, MAIN, #50, STD.....	1	1	1	-	-	-	F Z50A-100001 TO Z50A-108295
	22808	99114-076-0500	JET, MAIN, #50, STD.....	1	1	1	-	-	-	F Z50A-108296 TO
	17581	99124-04504	JET, MAIN, #45.....	1	1	1	-	-	-	F Z50A-100001 TO Z50A-108295
	22806	99114-076-0450	JET, MAIN, #45.....	1	1	1	-	-	-	F Z50A-108296 TO
	17582	99124-04804	JET, MAIN, #48.....	1	1	1	-	-	-	F Z50A-100001 TO Z50A-108295
	22807	99114-076-0480	JET, MAIN, #48.....	1	1	1	-	-	-	F Z50A-108296 TO
	17583	99124-05204	JET, MAIN, #52.....	1	1	1	-	-	-	F Z50A-100001 TO Z50A-108295
	22809	99114-076-0520	JET, MAIN, #52.....	1	1	1	-	-	-	F Z50A-108296 TO
	17584	99124-05504	JET, MAIN, #55.....	1	1	1	-	-	-	F Z50A-100001 TO Z50A-108295
	22810	99114-076-0550	JET, MAIN, #55.....	1	1	1	-	-	-	F Z50A-108296 TO
34	17585	99153-03804	JET, SLOW, #38, STD.....	1	1	1	-	-	-	
	17586	99153-04004	JET, SLOW, #40.....	1	1	1	-	-	-	
35	05670	93500-03008	SCREW, CROSS, 3X8.....	2	2	2	-	-	-	
36	05799	94001-05000	NUT, HEX., 5MM.....	1	1	1	-	-	-	F Z50A-100001 TO Z50A-108295
	13688	94001-05000-05	NUT, HEX., 5MM.....	1	1	1	-	-	-	F Z50A-108296 TO
37	05905	94101-05000	WASHER, PLAIN, 5MM.....	1	1	1	-	-	-	
38	05894	94111-03000	WASHER, SPRING, 3MM.....	2	2	2	-	-	-	
39	05896	94111-05000	WASHER, SPRING, 5MM.....	1	1	1	-	-	-	

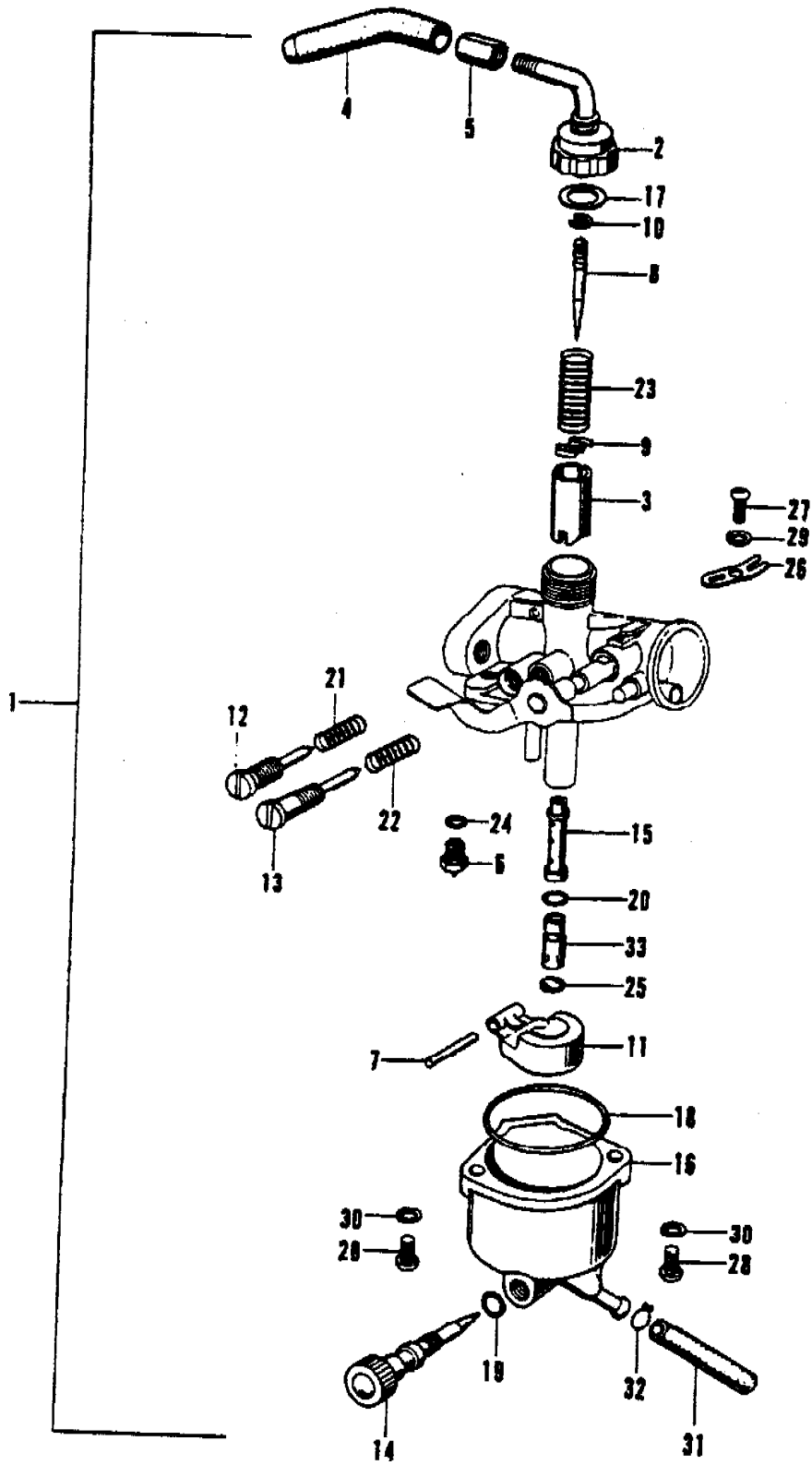
Carburetor



Carburetor

Ref. No.	H/C	Part Number	Description	Z50	K1	K2	K3	K4	K5	Remarks
1	27435	16100-120-010	CARBURETOR ASSY.....	-	-	-	1	1	1	
2	27732	16107-120-004	TOP.....	-	-	-	1	1	1	
3		16111-120-004	DISCONTINUED REFER TO PAGE 37..... REF. NO. 8							
		16111-120-305	DISCONTINUED REFER TO PAGE 37..... REF. NO. 8							
4	25124	16118-045-770	CAP, RUBBER.....	-	-	-	1	1	1	
5		16118-045-004	DISCONTINUED REFER TO PAGE 37..... REF. NO. 5							
6		16125-045-004	DISCONTINUED REFER TO PAGE 37..... REF. NO. 2							
7		16126-063-004	DISCONTINUED REFER TO PAGE 37..... REF. NO. 4							
8		16151-063-690	DISCONTINUED REFER TO PAGE 37..... REF. NO. 3							
9		16156-063-004	DISCONTINUED REFER TO PAGE 37..... REF. NO. 3							
10		16157-044-004	DISCONTINUED REFER TO PAGE 37..... REF. NO. 3							
11		16161-114-004	DISCONTINUED REFER TO PAGE 37..... REF. NO. 4							
12		16162-044-004	DISCONTINUED REFER TO PAGE 37..... REF. NO. 7							
13		16163-063-004	DISCONTINUED REFER TO PAGE 37..... REF. NO. 7							
14		16164-045-014	DISCONTINUED REFER TO PAGE 37..... REF. NO. 6							
15	28781	16164-120-004	JET, NEEDLE.....	-	-	-	1	1	1	
16	23214	16167-114-004	BODY, FLOAT CHAMBER.....	-	-	-	1	1	1	
17		16171-044-004	DISCONTINUED REFER TO PAGE 37..... REF. NO. 1 & 5							
18		16173-063-004	DISCONTINUED REFER TO PAGE 37..... REF. NO. 1 & 6							
19		16174-045-004	DISCONTINUED REFER TO PAGE 37..... REF. NO. 1 & 6							
20	15600	16176-551-004	O RING, 3.2MM.....	-	-	-	1	1	1	
21	07925	16181-001-004	SPRING, AIR SCREW.....	-	-	-	1	1	1	
22	07923	16181-250-004	SPRING, THROTTLE STOP SCREW.....	-	-	-	1	1	1	
23		16185-044-004	DISCONTINUED REFER TO PAGE 37..... REF. NO. 8							
24		16188-049-004	DISCONTINUED REFER TO PAGE 37..... REF. NO. 14							
25		16197-063-004	DISCONTINUED REFER TO PAGE 37..... REF. NO. 1							
26		16199-063-004	NOT AVAILABLE.....							
27	16555	53500-03006-0A	SCREW, PAN, 3X6.....	-	-	-	1	1	1	

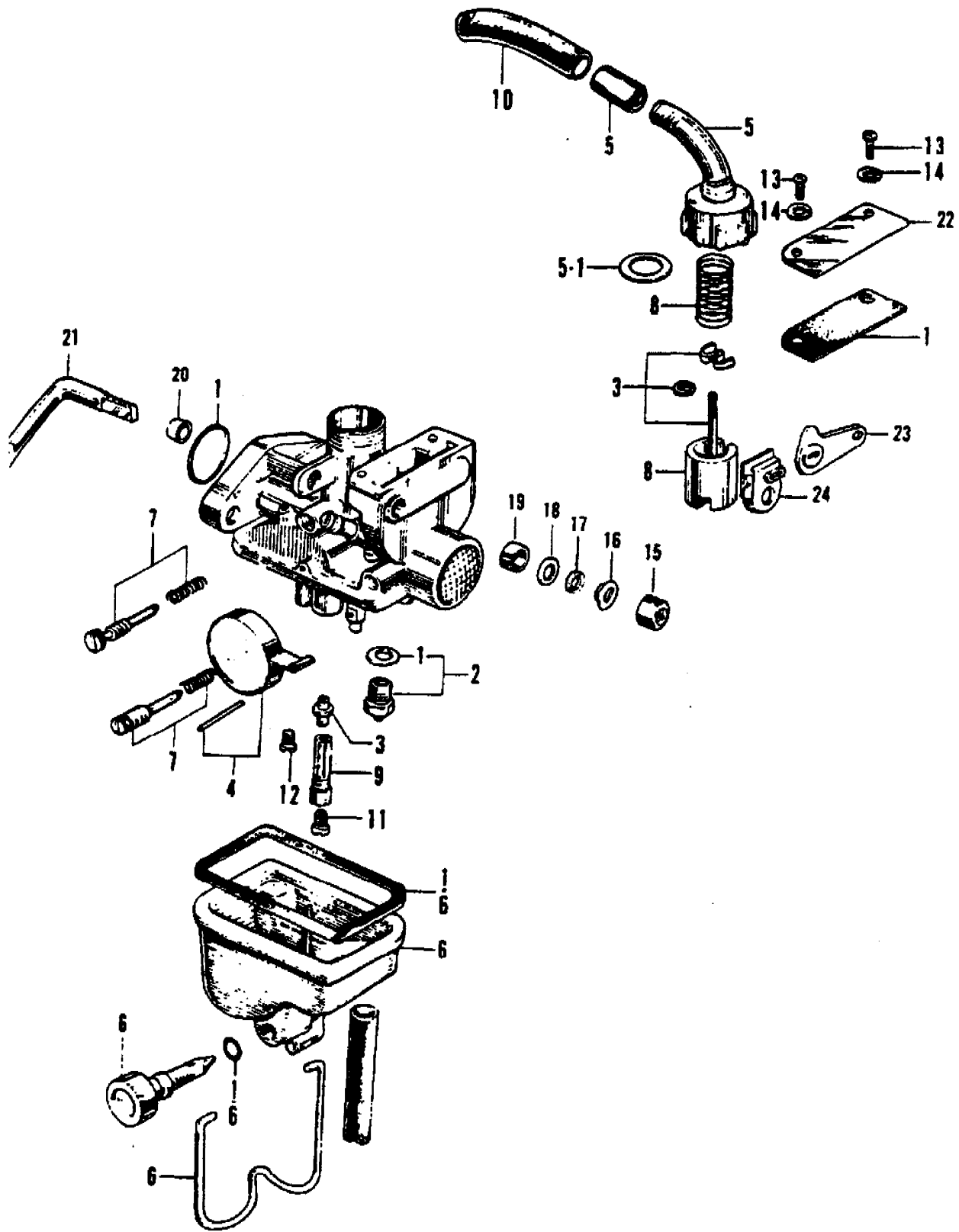
Carburetor



Carburetor

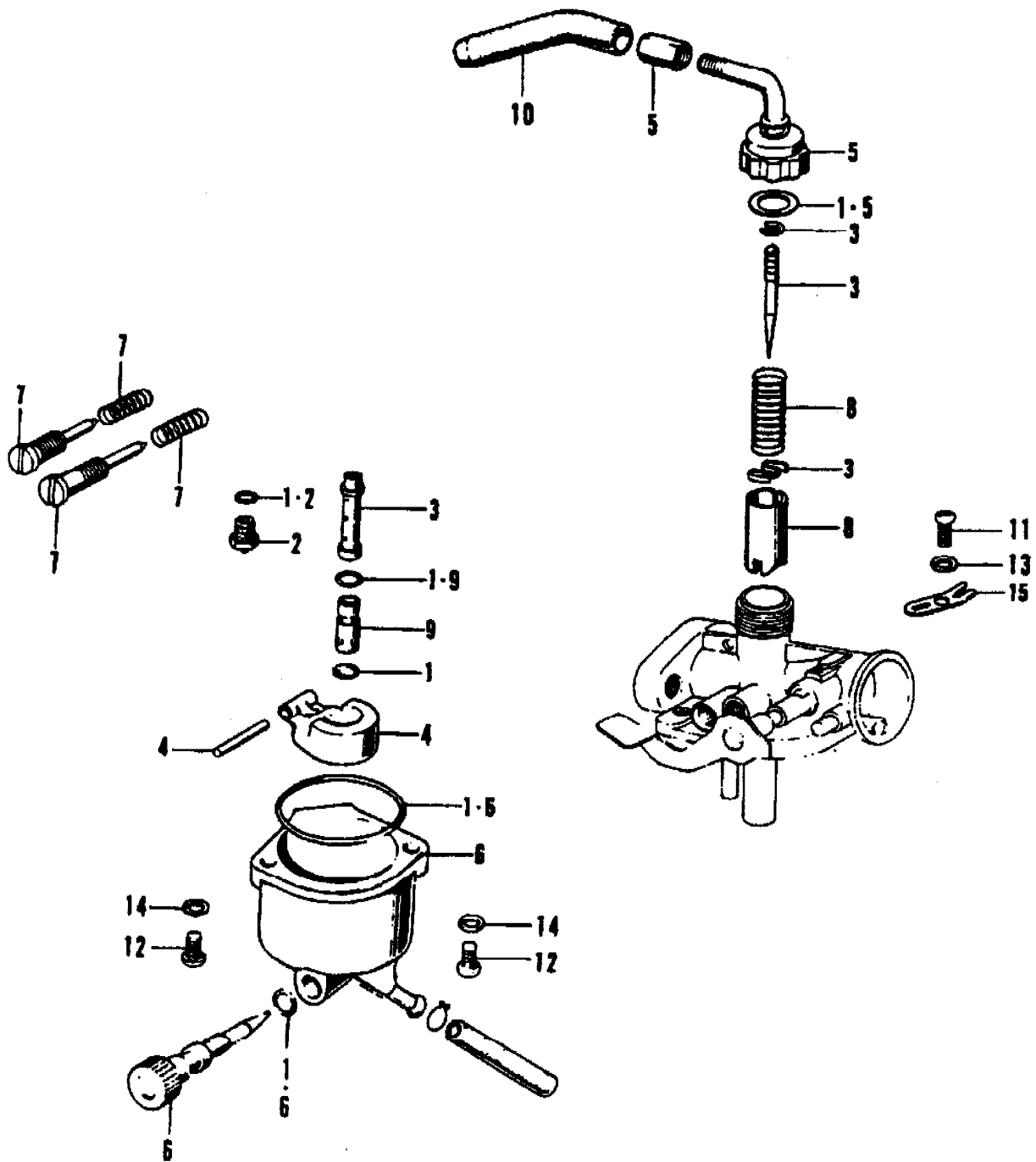
Ref. No.	H/C	Part Number	Description						Remarks	
				750	K1	K2	K3	K4		K5
28	16946	93500-04012-0A	SCREW, PAN, 4X12.....	-	-	-	2	2	2	
29	05894	94111-03000	WASHER, SPRING, 3MM.....	-	-	-	1	1	1	
30	05895	94111-04000	WASHER, SPRING, 4MM.....	-	-	-	2	2	2	
31	25264	95001-35000-40	TUBE, FUEL, 3.5.....	-	-	-	1	1	1	
32	25064	95002-02080	CLIP, TUBE, 4.5MM.....	-	-	-	1	1	1	
33	22958	99101-114-0500	JET, MAIN #50#.....	-	-	-	1	1	1	
	22959	99101-114-0520	JET, MAIN #52#.....	-	-	-	1	1	1	
	22961	99101-114-0580	JET, MAIN #58#.....	-	-	-	1	1	1	
	28813	99101-114-0600	JET, MAIN #60#.....	-	-	-	1	1	1	

Carburetor Set



Ref. NO.	M/C	Part Number	Description	Z30	K1	K2	K3	K4	K5	Remarks
		16100-045-670	NOT AVAILABLE USE, 16100-045-671...							
	25882	16100-045-671	CARBURETOR ASSY.....	1	1	1	-	-	-	
1	30923	16010-045-670	PACKING SET.....	1	1	1	-	-	-	
2	30492	16011-045-004	VALVE SET, FLOAT.....	1	1	1	-	-	-	
3	30966	16012-045-670	NEEDLE SET, JET.....	1	1	1	-	-	-	
4	31009	16013-045-004	FLOAT SET.....	1	1	1	-	-	-	
5	31025	16014-045-004	TOP SET.....	1	1	1	-	-	-	
6	31045	16015-045-670	CHAMBER SET, FLOAT.....	1	1	1	-	-	-	
7	31072	16016-045-014	SCREW SET.....	1	1	1	-	-	-	
8	31097	16022-045-600	VALVE SET, THROTTLE.....	1	1	1	-	-	-	
9	17615	16139-045-004	HOLDER, NEEDLE JET.....	1	-	-	-	-	-	F 250A-100001 TO 250A-108295
	22800	16139-045-014	HOLDER, NEEDLE JET.....	1	1	1	-	-	-	F 250A-108296 TO
10		16194-045-004	NOT AVAILABLE USE, 16118-045-770...							
	25124	16118-045-770	CAP, RUBBER.....	1	1	-	-	-	-	
11	17580	99124-05004	JET, MAIN #50#.....	1	-	-	-	-	-	F 250A-100001 TO 250A-108295
	22808	99114-076-0500	JET, MAIN #50#.....	1	1	1	-	-	-	F 250A-108296 TO
12	17585	99153-03804	JET, SLOW #38#.....	1	1	1	-	-	-	
13	05670	93500-03008	SCREW, PAN, 3XB.....	1	1	1	-	-	-	
	19817	93500-03008-0A	SCREW, PAN, 3XB #OPTIONAL#.....	1	1	1	-	-	-	
14	05894	94111-03000	WASHER, SPRING, 3MM.....	1	1	1	-	-	-	
15	05799	94001-05000	NUT, HEX., 5MM.....	1	-	-	-	-	-	F 250A-100001 TO 250A-108295
	15688	94001-05000-05	NUT, HEX., 5MM.....	1	1	1	-	-	-	F 250A-108296 TO
16	17605	16197-049-004	WASHER, STOPPER.....	1	1	1	-	-	-	
17	05896	94111-05000	WASHER, SPRING, 5MM.....	1	1	1	-	-	-	
18	05905	94101-05000	WASHER, PLAIN, 5.....	1	1	1	-	-	-	
19	17599	16179-049-004	SEAT, SEALING.....	1	1	1	-	-	-	
20	17598	16178-049-004	SEAL.....	1	1	1	-	-	-	
21	17603	16192-045-004	LEVER, CHOKE.....	1	-	-	-	-	-	F 250A-100001 TO 250A-108295
	24033	16192-050-014	LEVER, CHOKE.....	1	1	1	-	-	-	F 250A-108296 TO
22	17611	16123-049-004	COVER, CHOKE.....	1	1	1	-	-	-	
23	17618	16143-050-004	LINK, CHOKE.....	1	1	1	-	-	-	
24	20797	16142-045-004	VALVE, CHOKE.....	1	1	1	-	-	-	

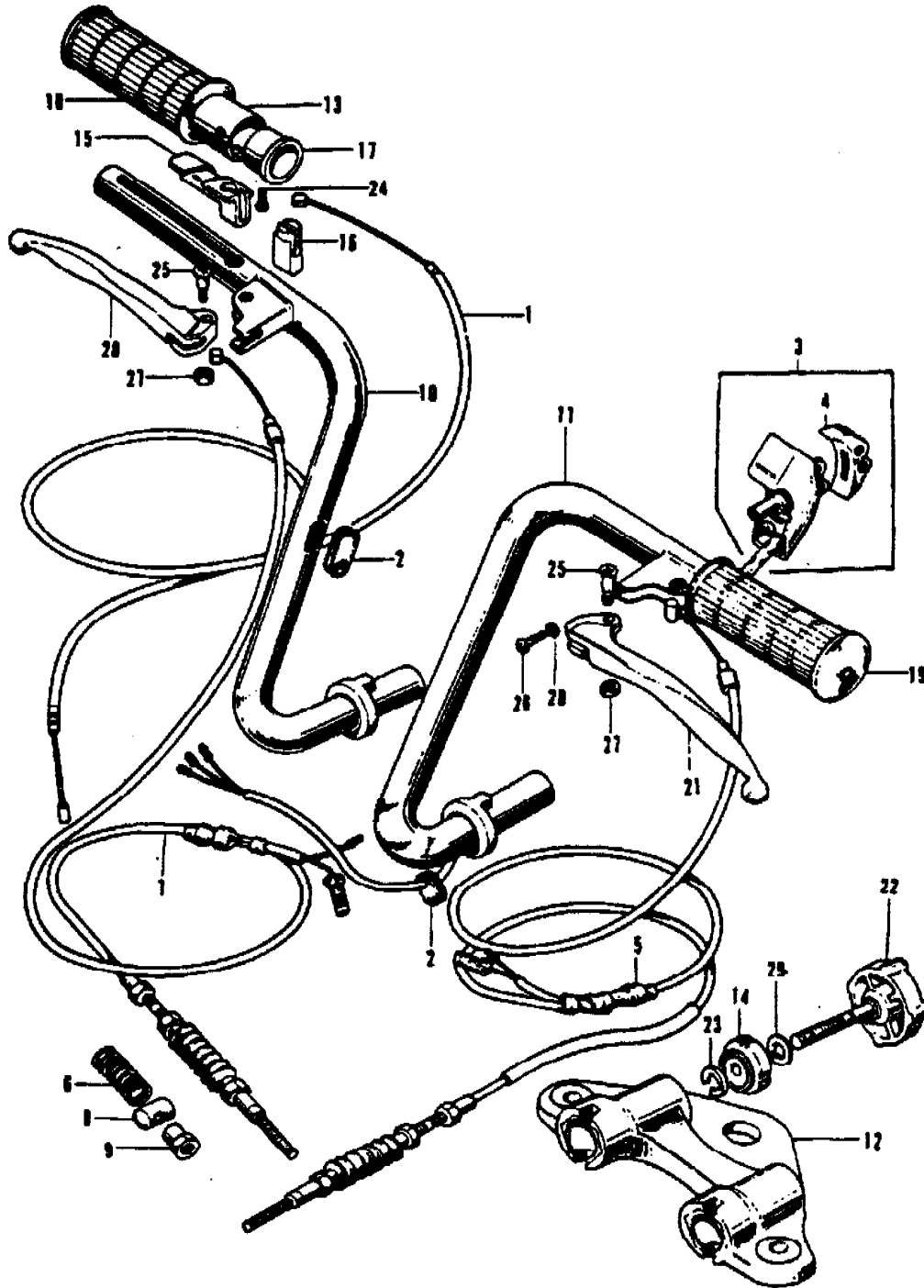
Carburetor Set



Carburetor Set

Ref. No.	M/C	Part Number	Description	250	K1	K2	K3	K4	K5	REMARKS
		27435 16100-120-010	CARBURETOR ASSY.....	-	-	-	1	1	1	
1		30491 16010-114-004	PACKING SET.....	-	-	-	1	1	1	
2		30492 16011-045-004	VALVE SET, FLOAT.....	-	-	-	1	1	1	
3		30984 16012-120-004	NEEDLE SET, JET.....	-	-	-	1	1	1	
4		30494 16013-114-004	FLOAT SET.....	-	-	-	1	1	1	
5		30495 16014-120-004	TOP SET.....	-	-	-	1	1	1	
6		30496 16015-114-004	CHAMBER SET, FLOAT.....	-	-	-	1	1	1	
7		30497 16016-045-610	SCREW SET.....	-	-	-	1	1	1	
8		31108 16022-120-004	VALVE SET, THROTTLE *18MM*.....	-	-	-	1	1	1	
		31109 16022-120-305	VALVE SET, THROTTLE *25MM*.....	-	-	-	1	1	1	
9		31222 99201-114-0550	JET SET, MAIN *#55*.....	-	-	-	1	1	1	
10		25124 16118-045-770	CAP, RUBBER.....	-	-	-	1	1	1	
11		16665 93500-03006-0A	SCREW, PAN, 3X6.....	-	-	-	1	1	1	
12		16946 93500-04012-0A	SCREW, PAN, 4X12.....	-	-	-	2	2	2	
13		05894 94111-03000	WASHER, SPRING, 3MM.....	-	-	-	1	1	1	
14		05895 94111-04000	WASHER, SPRING, 4MM.....	-	-	-	2	2	2	

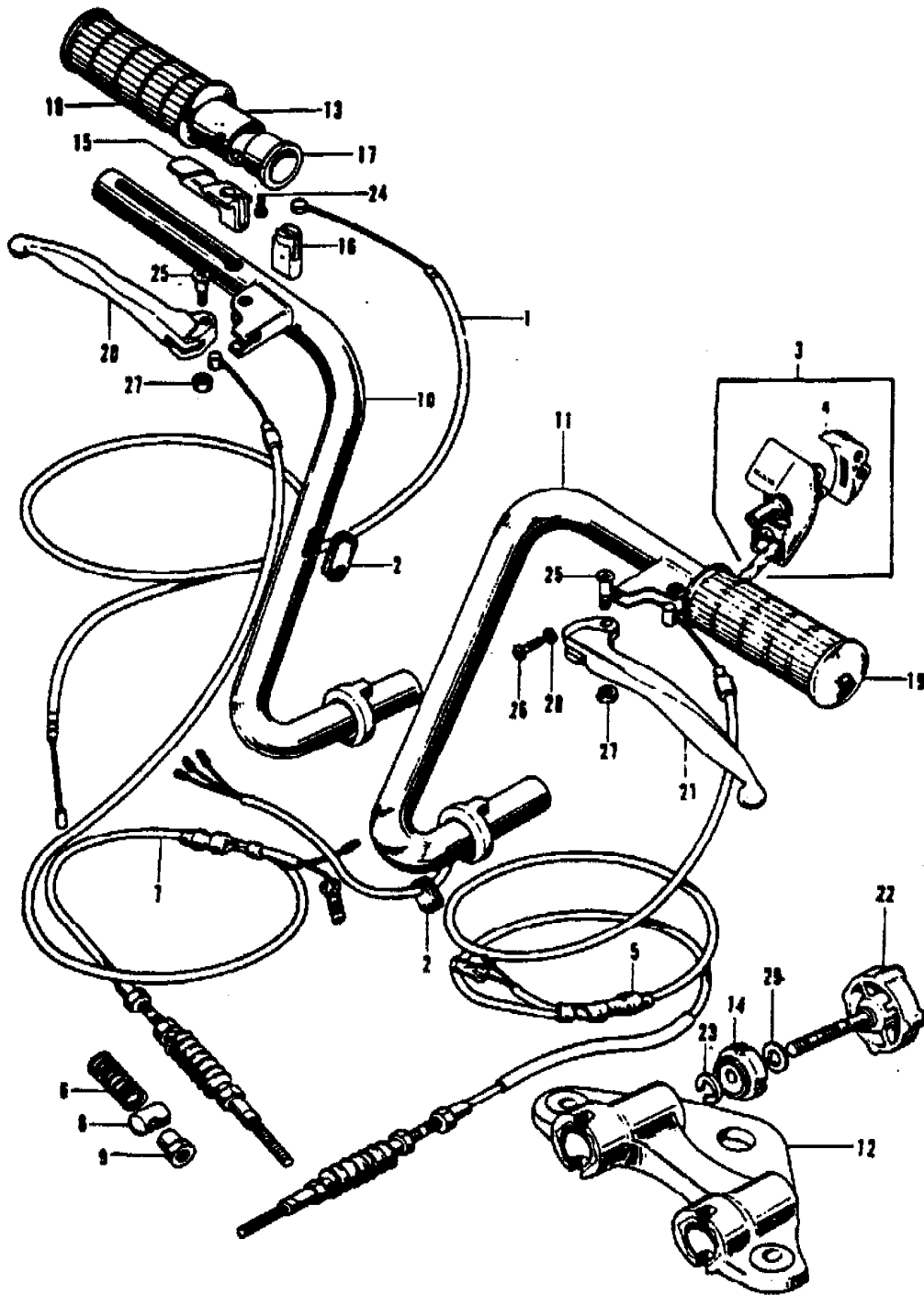
Handle Bar



Part No.

Ref. No.	M/C	Part Number	Description	250 K1 K2 K3 K4 K5					Remarks	
				K1	K2	K3	K4	K5		
1	20400	17910-045-671	CABLE, THROTTLE.....	1	1	1	-	-	-	
2	01880	17911-023-000	GROMMET, THROTTLE CABLE.....	1	1	-	-	-	-	F 250A-100001 TO 250A-120087
	01880	17911-023-000	GROMMET, THROTTLE CABLE.....	-	3	3	-	-	-	F 250A-120088 TO
3	18214	35250-045-671	SWITCH ASSY., DIMMER.....	-	1	1	-	-	-	F 250A-120088 TO
4	04530	35316-259-300	KNOB, HORN BUTTON SWITCH.....	-	1	1	-	-	-	F 250A-120088 TO
5	17541	43450-045-670	CABLE, REAR BRAKE.....	1	1	-	-	-	-	F 250A-100001 TO 250A-120087
		43450-045-672	NOT AVAILABLE USE, 43450-045-673...							
	25879	43450-045-673	CABLE REAR BRAKE.....	-	1	1	-	-	-	F 250A-120088 TO 250A-270235
		43450-045-000	NOT AVAILABLE USE, 43450-045-010...							
	25284	43450-045-010	CABLE, REAR BRAKE.....	-	-	1	-	-	-	F 250A-270236 TO
6	01020	45437-001-000	SPRING, FRONT BRAKE ARM..... (SUPERSEDED BY 45435-001-000)	2	2	-	-	-	-	F 250A-100001 TO 250A-270235
	34177	45435-001-000	SPRING, FRONT BRAKE ARM.....	2	2	-	-	-	-	
	01020	45437-001-000	SPRING, FRONT BRAKE ARM..... (SUPERSEDED BY 45435-001-000)	-	-	1	-	-	-	F 250A-270236 TO
7	17522	45450-045-670	CABLE, FRONT BRAKE.....	1	1	-	-	-	-	F 250A-100001 TO 250A-120087
		45450-045-671	NOT AVAILABLE USE, 45450-045-672...							
	25275	45450-045-672	CABLE, FRONT BRAKE.....	-	1	1	-	-	-	
8	01019	45461-001-000	JOINT, FRONT BRAKE ARM..... (SUPERSEDED BY 95015-31000)	2	2	2	-	-	-	
	27106	95015-31000	JOINT, FRONT BRAKE ARM.....	2	2	2	-	-	-	
9	11883	45462-028-000	NUT, FRONT BRAKE ARM ADJUSTING..... (SUPERSEDED BY 95015-41000)							
	30149	95015-41000	NUT, FRONT BRAKE ARM ADJUSTING.....	2	2	2	-	-	-	
10	17502	53110-045-671	PIPE, RIGHT STEERING HANDLE.....	1	1	1	-	-	-	F 250A-101126 TO
11	18201	53120-045-672	PIPE, LEFT STEERING HANDLE.....	1	1	1	-	-	-	
12	17504	53131-045-670	HOLDER, STEERING HANDLE.....	1	1	1	-	-	-	
13	20321	53141-098-000	PIPE, THROTTLE GRIP.....	1	1	1	-	-	-	
14	17505	53143-045-000	NUT, HANDLE HOLDER.....	2	2	2	-	-	-	
15	12718	53161-044-000	HINGE, THROTTLE WIRE.....	1	1	1	-	-	-	
16	17636	53162-045-670	HOLDER, THROTTLE CABLE OUTER.....	1	1	-	-	-	-	F 250A-100001 TO 250A-189957
		53162-098-000	NOT AVAILABLE USE, 53162-098-010...							
	26388	53162-098-010	HOLDER, THROTTLE CABLE OUTER.....	-	1	1	-	-	-	F 250A-189958 TO
17	12720	53163-044-000	STOPPER, THROTTLE GRIP PIPE.....	1	1	1	-	-	-	
18	16908	53165-063-000XL	RUBBER, RIGHT GRIP.....	1	1	-	-	-	-	F 250A-100001 TO 250A-120087
	12721	53165-044-010	RUBBER, RIGHT GRIP.....	-	1	1	-	-	-	F 250A-120088 TO
19	16909	53166-063-000XL	RUBBER, LEFT GRIP.....	1	1	-	-	-	-	F 250A-100001 TO 250A-120087
	12722	53166-044-010	RUBBER, LEFT GRIP.....	-	1	1	-	-	-	F 250A-120088 TO
20	16910	53175-063-000XL	LEVER, RIGHT HANDLE.....	1	1	-	-	-	-	F 250A-100001 TO 250A-120087

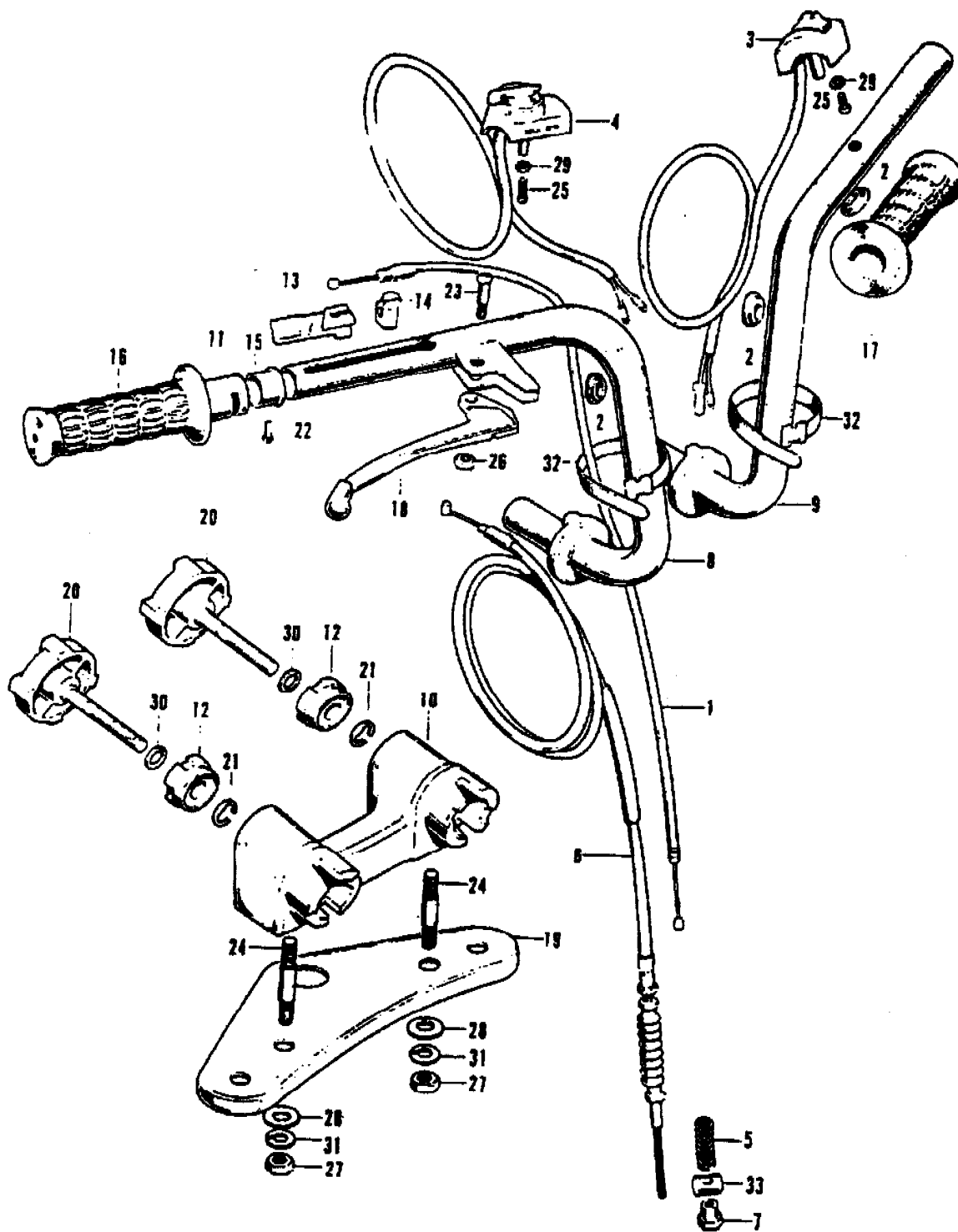
Handle Bar



Handle Bar

Ref. No.	H/C	Part Number	Description						Remarks	
				Z50	K1	K2	K3	K4		K5
		20982 53175-045-670	LEVER, RIGHT HANDLE.....	-	1	1	-	-	-	F Z50A-120088 TO
21	16878	53178-063-000XL	LEVER, LEFT HANDLE.....	1	1	-	-	-	-	F Z50A-100001 TO Z50A-120087
		20983 53178-045-670	LEVER, LEFT HANDLE.....	-	1	1	-	-	-	F Z50A-120088 TO
22		53741-045-304	NOT AVAILABLE USE, 53741-045-030...							
		20971 53741-045-030	KNOB, HANDLE HOLDER.....	2	2	2	-	-	-	F Z50A-220301 TO
23	17509	53746-045-010	RING, KNOB STOPPER.....	2	2	2	-	-	-	
24	16912	90101-063-000	SCREW, THROTTLE GRIP SETTING.....	1	1	1	-	-	-	
25	16914	90114-063-000	SCREW, HANDLE LEVER PIVOT.....	2	2	2	-	-	-	
26	18215	93500-03012-0A	SCREW, PAN, 3X12.....	-	1	1	-	-	-	F Z50A-120088 TO
27	15688	94001-05000-05	NUT, HEX., 5MM.....	2	2	2	-	-	-	
28	05894	94111-03000	WASHER, SPRING, 3MM.....	-	1	1	-	-	-	F Z50A-120088 TO
29	05898	94111-08000	WASHER, SPRING, 8MM.....	2	2	2	-	-	-	

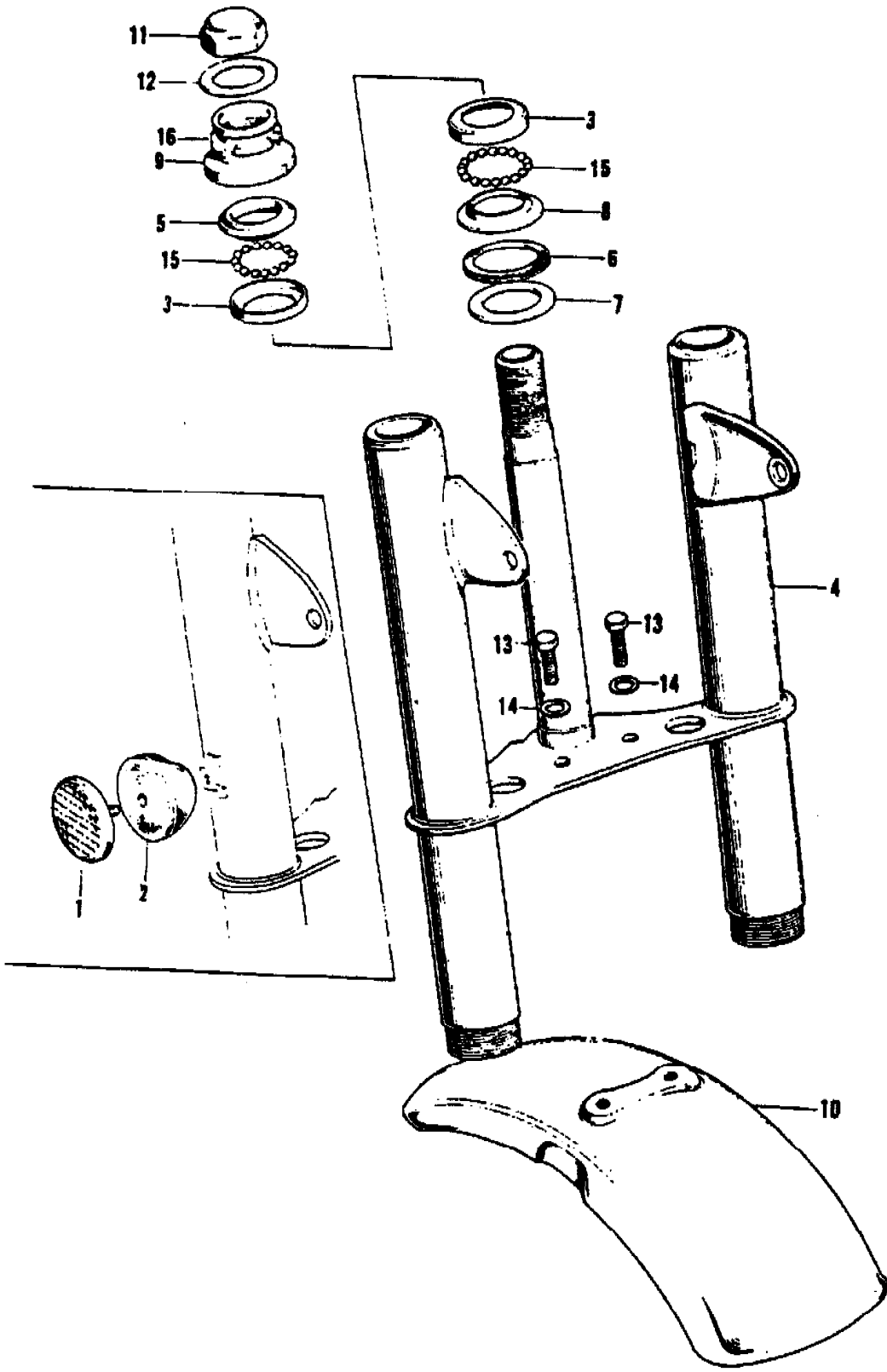
Steering Handle



Handle Bar

Ref. No.	H/C	Part Number	Description	750	K1	K2	K3	K4	K5	Remarks
1	27145	17910-120-000	CABLE COMP., THROTTLE.....	-	-	-	1	1	1	
2	01880	17911-023-000	GROMMET, THROTTLE.....	-	-	-	3	3	3	
3	28799	35250-120-671	SWITCH ASSY., LIGHTING.....	-	-	-	1	1	1	
4	27178	35300-120-673	SWITCH ASSY., KILL.....	-	-	-	1	1	1	
5	01020	45437-001-000	SPRING, FRONT BRAKE ARM..... (SUPERSEDED BY 45435-001-000)	-	-	-	1	1	1	
	34177	45435-001-000	SPRING, FRONT BRAKE ARM.....	-	-	-	1	1	1	
6	27091	45450-120-000	CABLE COMP., FRONT BRAKE.....	-	-	-	1	1	1	
7	11883	45462-028-000	NUT, FRONT BRAKE ARM ADJUSTING..... (SUPERSEDED BY 95015-41000)	-	-	-	1	1	1	
	30149	95015-41000	NUT, FRONT BRAKE ARM ADJUSTING.....	-	-	-	1	1	1	
8	27135	53110-120-000	PIPE, RIGHT STEERING HANDLE.....	-	-	-	1	1	1	
9	27136	53120-120-000	PIPE, LEFT STEERING HANDLE.....	-	-	-	1	1	1	
10	27137	53131-120-000	HOLDER, STEERING HANDLE.....	-	-	-	1	-	-	
	30214	53131-130-670	HOLDER, STEERING HANDLE.....	-	-	-	-	1	1	
11	20321	53141-098-000	PIPE, THROTTLE GRIP.....	-	-	-	1	1	1	
12	17505	53143-045-000	NUT, HANDLE HOLDER.....	-	-	-	2	2	2	
13	12718	53161-044-000	HINGE, THROTTLE CABLE OUTER.....	-	-	-	1	1	1	
14	26388	53162-098-010	HOLDER, THROTTLE CABLE OUTER.....	-	-	-	1	1	1	
15	12720	53163-044-000	STOPPER, THROTTLE GRIP.....	-	-	-	1	1	1	
16	27130	53165-120-000	GRIP A, RIGHT HANDLE.....	-	-	-	1	1	1	
17	27131	53166-120-000	GRIP A, LEFT HANDLE.....	-	-	-	1	1	1	
18	20982	53175-045-670	LEVER, RIGHT STEERING HANDLE.....	-	-	-	1	1	1	
19	27133	53230-120-000S	BRIDGE, FORK TOP *DARK SILVER*.....	-	-	-	1	1	1	
20	27126	53741-120-000	KNOB, HANDLE HOLDER.....	-	-	-	2	2	2	
21	17509	53746-045-010	RING, KNOB STOPPER.....	-	-	-	2	2	2	
22	16912	90101-063-000	SCREW, THROTTLE GRIP SET.....	-	-	-	1	1	1	
23	16914	90114-063-000	SCREW, HANDLE LEVER PIVOT.....	-	-	-	1	1	1	
24	27108	92715-10040	BOLT, STUD., 10x40.....	-	-	-	2	2	2	
25	18215	93500-03012-0A	SCREW, PAN, 3x12.....	-	-	-	2	2	2	
26	15688	94001-05000-0S	NUT, HEX., 5MM.....	-	-	-	1	1	1	
27	14539	94001-10000-0S	NUT, HEX., 10MM.....	-	-	-	2	2	2	
28	05911	94101-10000	WASHER, PLAIN, 10MM.....	-	-	-	2	2	2	
29	05894	94111-03000	WASHER, SPRING, 3MM.....	-	-	-	2	2	2	
30	05898	94111-08000	WASHER, SPRING, 8MM.....	-	-	-	2	2	2	
31	05900	94111-10000	WASHER, SPRING, 10MM.....	-	-	-	1	1	1	
32	28814	95014-62300	BAND B3, WIRE.....	-	-	-	2	2	2	
33	27106	95015-31000	JOINT A, BRAKE ARM.....	-	-	-	1	1	1	

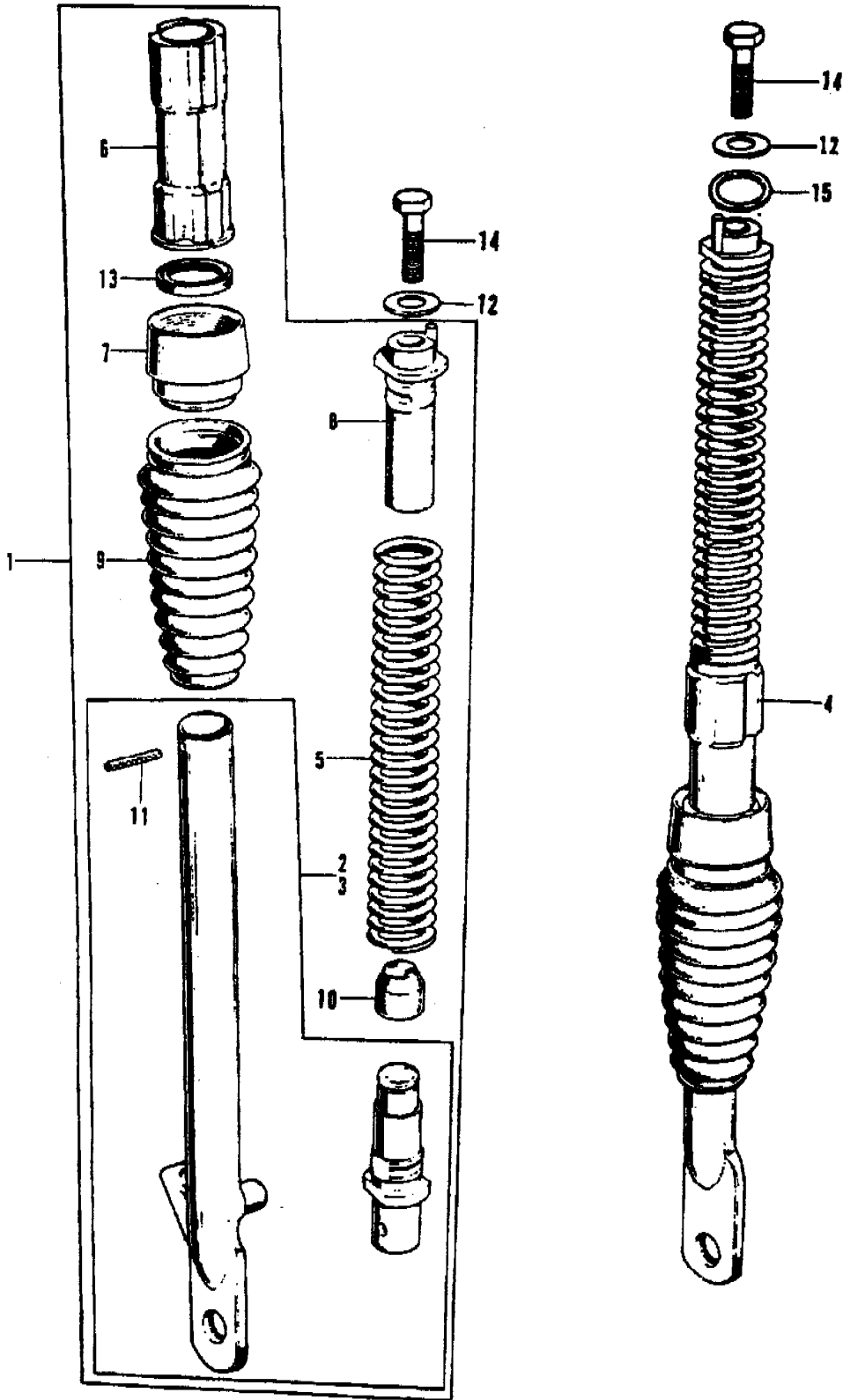
Front Fork



FRONT FORK

Ref. No.	M/C	Part Number	Description	250	K1	K2	K3	K4	K5	Remarks
1	18216	33741-045-671	REFLEX, REFLECTOR, FRONT.....	-	2	2	-	-	-	F 250A-120088 TO
2	18217	33744-045-670	BASE, FRONT REFLECTOR.....	-	2	2	-	-	-	F 250A-120088 TO
3	12697	50301-044-020	RACE, BALL, STEERING TOP.....	2	2	-	-	-	-	F 250A-100001 TO 250A-270235
	21898	50301-045-670	RACE, BALL, STEERING TOP.....	-	-	2	-	-	-	F 250A-270236 TO
	17206	50301-041-305	RACE, BALL, STEERING TOP.....	-	-	-	2	2	2	
4	17528	51510-045-6702	FORK, FRONT *PRIMER*.....	1	1	-	-	-	-	F 250A-100001 TO 250A-120087
	18202	51510-045-6712	FORK, FRONT ?PRIMER*.....	-	1	1	-	-	-	F 250A-120086 TO
	27139	51510-120-000HX	FORK, FRONT *LIGHT RUBY RED*.....	-	-	-	1	1	-	
	28807	51510-120-000LX	FORK, FRONT *CANDY GOLD CUSTOM*.....	-	-	-	1	1	-	
	30215	51510-120-000MK	FORK COMP., FRONT..... *BLUE METALLIC CUSTOM*	-	-	-	-	1	-	
	30216	51510-120-000NC	FORK COMP., FRONT..... *CANDY ORANGE CUSTOM*	-	-	-	-	1	-	
	34818	51510-120-000CN	FORK COMP., FRONT..... *CANDY SAPPHIRE BLUE*	-	-	-	-	-	1	
	35636	51510-120-000DD	FORK COMP., FRONT..... *CANDY TOPAZ ORANGE*	-	-	-	-	-	1	
5	17506	53211-045-010	RACE, STEERING TOP CONE.....	1	1	1	-	-	-	
	01545	53211-028-305	RACE, STEERING TOP CONE.....	-	-	-	1	1	1	
6	00907	53214-001-010	DUST SEAL, STEERING HEAD.....	-	-	-	1	1	1	
7	27132	53215-120-000	WASHER, STEERING HEAD DUST SEAL....	-	-	-	1	1	1	
8	17507	53212-045-020	RACE, STEERING BOTTOM CONE.....	1	1	1	-	-	-	
	01995	53217-030-305	RACE, STEERING BOTTOM CONE.....	-	-	-	1	1	1	
9	17500	90303-045-000	NUT A, STEERING STEM.....	1	1	-	-	-	-	F 250A-100001 TO 250A-174447
	20821	53220-045-670	THREAD COMP.....	-	1	1	-	-	-	F 250A-174448 TO
	18604	53220-051-690	THREAD COMP., STEERING HEAD TOP....	-	-	-	1	1	1	
10	17510	61100-045-670AU	FENDER, FRONT *SILVER*.....	1	1	-	-	-	-	F 250A-100001 TO 250A-120087
	18203	61100-045-670XW	FENDER, FRONT *CHROME*.....	-	1	-	-	-	-	F 250A-120088 TO 250A-270235
	21899	61100-045-671XW	FENDER, FRONT *CHROME*.....	-	-	1	-	-	-	F 250A-270236 TO
	27127	61100-120-000XW	FENDER, FRONT *CHROME*.....	-	-	-	1	1	1	
11	01223	90304-011-000	NUT, STEERING STEM.....	1	1	1	1	1	1	
12	01232	90503-011-000	WASHER, STEERING STEM NUT.....	1	1	1	1	1	1	
13	05419	92000-06012	BOLT, HEX., 6X12.....	2	2	2	2	2	2	
14	05911	94101-10000	WASHER, PLAIN, 10MM.....	2	2	2	2	2	2	
15	05892	96211-06000	BALL, STEEL #6.....	40	40	40	42	42	42	
16	17501	90304-045-010	NUT B, STEERING STEM.....	1	1	1	-	-	-	F 250A-100001 TO 250A-174447

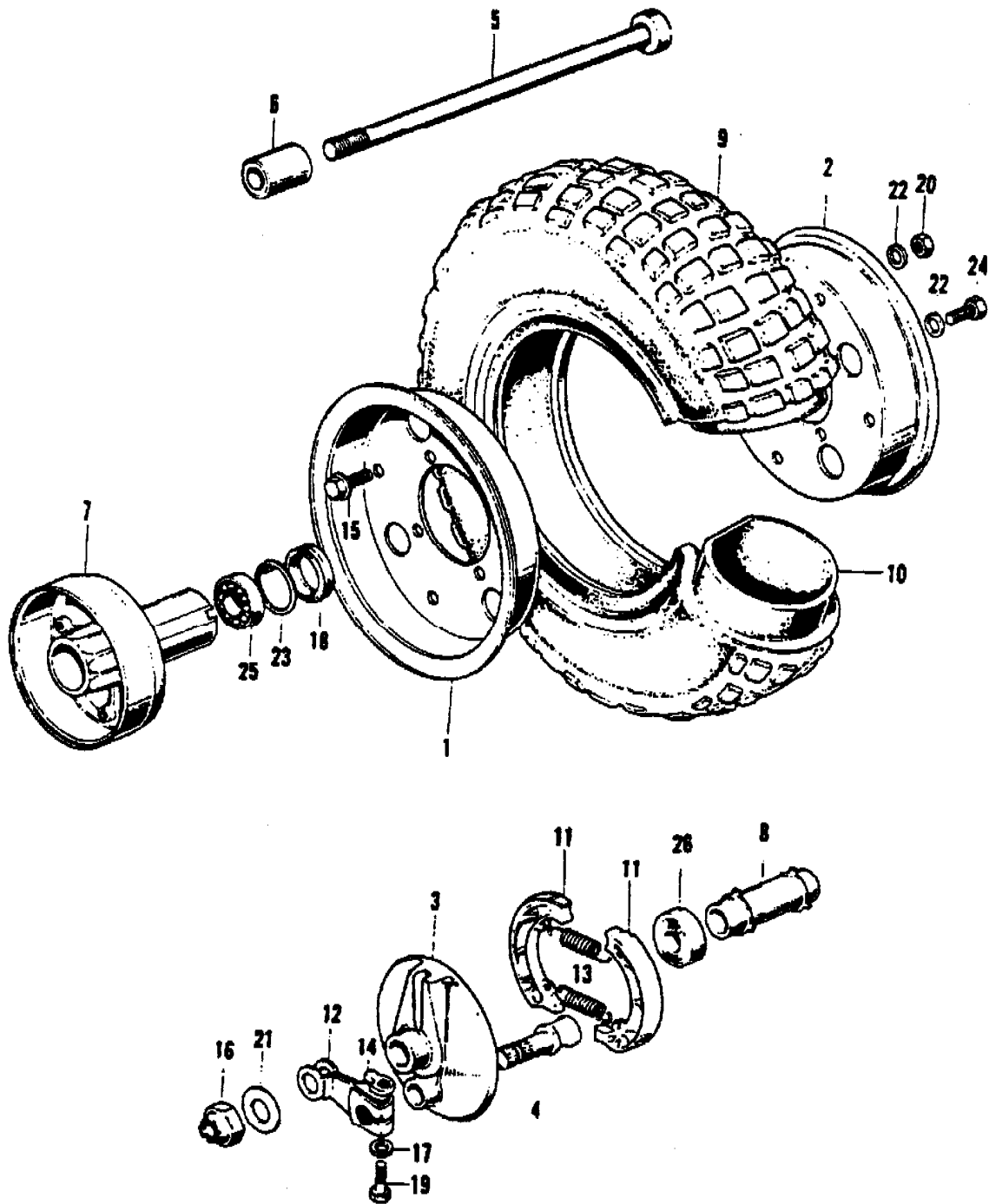
Front Cushion



FRONT CUSHION

Ref. No.	N/C	Part Number	Description	Z50	K1	K2	K3	K4	K5	Remarks
1	17526	51400-045-670	CUSHION ASSY., RIGHT FRONT.....	1	1	1	-	-	-	
	27097	51400-120-000	CUSHION ASSY., RIGHT FRONT.....	-	-	-	1	1	1	
2	20221	51450-045-670	PIPE, SLIDE HALF, RIGHT FRONT..... CUSHION	1	1	1	1	1	1	
3	20222	51460-045-670	PIPE, SLIDE HALF, LEFT FRONT CUSHION	1	1	1	1	1	1	
4	17527	51500-045-670	CUSHION ASSY., LEFT FRONT.....	1	1	1	-	-	-	
	28806	51500-120-000	CUSHION ASSY., LEFT FRONT.....	-	-	-	1	1	1	
5	20223	51501-045-670	SPRING, FRONT CUSHION.....	2	2	2	-	-	-	
	27143	51501-120-000	SPRING, FRONT CUSHION.....	-	-	-	2	2	2	
6	20224	51502-045-670	GUIDE, FRONT FORK PIPE.....	2	2	2	2	2	2	
7	20225	51503-098-000	CAP, FORK PIPE GUIDE.....	2	2	2	-	-	-	
	27144	51503-064-010	CAP, FORK PIPE GUIDE.....	-	-	-	2	2	2	
8	20226	51504-064-020	HOLDER, UPPER, CUSHION SPRING.....	2	2	2	-	-	-	
	27138	51504-120-000	HOLDER, UPPER, CUSHION SPRING.....	-	-	-	2	2	2	
9	20220	51505-064-010B	BOOT, FRONT FORK *BLACK*.....	2	2	2	2	2	2	
10	20227	51506-064-020	RUBBER, FRONT CUSHION STOPPER.....	4	4	4	4	4	4	
11	20228	51526-064-000	PIN, SPRING.....	2	2	2	2	2	2	
12	05911	94101-10000	WASHER, FLAT, 10MM.....	2	2	2	2	2	2	
13	20229	90755-064-013	OIL SEAL.....	2	2	2	2	2	2	
14	17587	92000-10040-0A	BOLT, HEX., 10X40.....	2	2	-	-	-	-	F 250A-100001 TO 250A-108295
	18154	93000-10040-0A	BOLT, HEX., 10X40.....	-	2	2	-	-	-	F 250A-108296 TO
	11266	93000-10032-0A	BOLT, HEX., 10X32.....	-	-	-	2	2	2	
15	20116	51620-045-670	WASHER, SEAT.....	2	2	2	-	-	-	F 250A-100001 TO 250A-174447

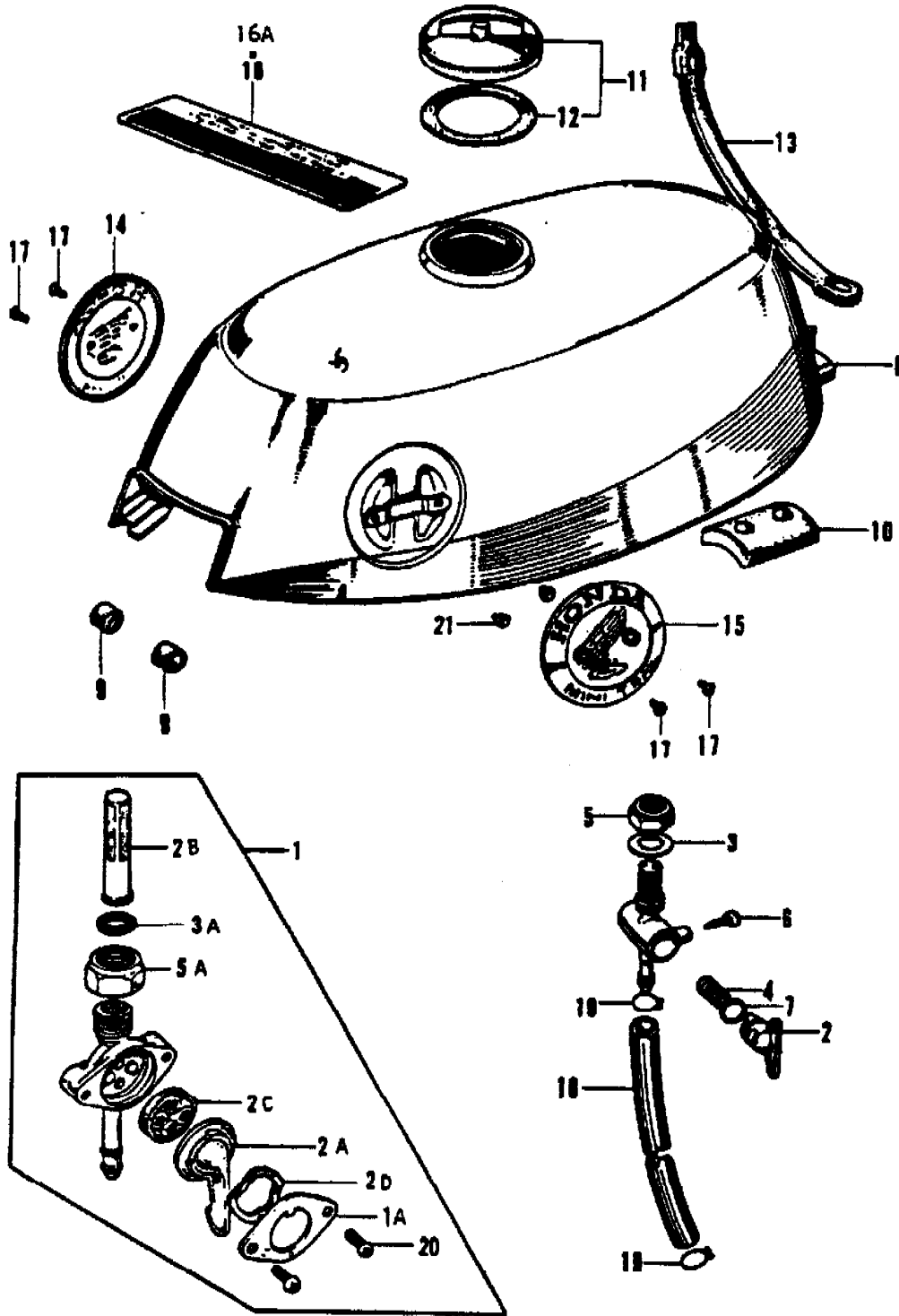
Front Wheel



FRONT WHEEL

Ref. No.	H/C	Part Number	Description	Z50 K1 K2 K3 K4 K5					REMARKS	
				Z50	K1	K2	K3	K4		K5
1	17536	42701-045-670AU	RIM, RIGHT WHEEL *CLOUD SILVER*.....	1	1	-	1	1	1	
	21876	42701-045-670S	RIM, RIGHT WHEEL *DARK SILVER*.....	-	-	-	1	-	-	
2	17537	42702-045-670AU	RIM, LEFT WHEEL *CLOUD SILVER*.....	1	1	-	1	1	1	
	21877	42702-045-670S	RIM, LEFT WHEEL *DARK SILVER*.....	-	-	-	1	-	-	
3	17519	45100-045-020	PANEL, FRONT BRAKE.....	1	1	1	1	1	1	
		43100-120-000	NOT AVAILABLE USE, 45100-045-020...							
4	17520	45131-045-000	CAM, FRONT BRAKE.....	1	1	1	-	-	-	
	20000	43141-098-000	CAM, REAR BRAKE.....	-	-	-	1	1	1	
5	18157	44301-045-010	AXLE, FRONT WHEEL.....	1	1	1	1	1	1	
6	17543	44311-045-670	COLLAR, FRONT WHEEL SIDE.....	1	1	1	1	1	1	
7	24601	44600-045-672	HUB, FRONT WHEEL.....	1	1	1	1	1	1	
8	17545	44620-045-020	COLLAR, FRONT AXLE DISTANCE.....	1	1	1	1	1	1	
9	17517	44711-045-671	TIRE, WHEEL, 3.50X8.....	1	1	1	-	-	-	
	27432	44711-120-671	TIRE, WHEEL, 3.50X8 *BRIDGESTONE*..	-	-	-	1	1	1	
10	17518	44712-045-670	TUBE, WHEEL, 3.50X8.....	1	1	1	-	-	-	
	27093	44712-120-003	TUBE, WHEEL *BRIDGESTONE*.....	-	-	-	1	1	1	
	27089	44712-120-006	TUBE, WHEEL *MITTO*.....	-	-	-	1	1	1	
11	00599	45120-001-010	SHOE COMP., BRAKE.....	2	2	2	2	2	2	
12	17521	45410-045-670	ARM, FRONT BRAKE.....	1	1	1	-	-	-	
	27092	45410-120-000	ARM, FRONT BRAKE.....	-	-	-	1	1	1	
13	16680	45133-028-000	SPRING, BRAKE SHOE.....	1	1	1	1	1	1	
14	01005	45436-001-000	NUT, FRONT BRAKE ARM SETTING.....	1	1	1	1	1	1	
15	20471	90194-567-010	BOLT, WHEEL RIM.....	4	4	4	4	4	4	
16	05152	90353-250-000	NUT, SELF LOCK, 12MM.....	1	1	-	-	-	-	F 250A-100001 TO 250A-108295
	18158	90353-045-000	NUT, SELF LOCK, 12MM.....	-	1	1	1	1	1	F 250A-108296 TO
17	09483	90525-001-000	WASHER, BRAKE ARM.....	1	1	1	1	1	1	
18	01249	91252-001-020	OIL SEAL, 21X35X7.....	1	1	1	1	1	1	
19	05432	92000-06025	BOLT, HEX., 6X25.....	1	1	1	-	-	-	
	05434	92000-06028	BOLT, HEX., 6X28.....	-	-	-	1	1	1	
20	11466	94030-08000	NUT, HEX., 8MM.....	4	4	4	4	4	4	
21	05913	94101-12000	WASHER, PLAIN, 12MM.....	1	1	1	1	1	1	
22	05896	94111-08000	WASHER, SPRING, 8MM.....	8	8	8	8	8	8	
23	17594	94520-32000	CIRCLIP, INTERNAL, 32MM.....	1	1	1	1	1	1	
24	14543	92000-08016-0A	BOLT, HEX., 8X16.....	4	4	4	-	-	-	
	27102	95300-08016	BOLT, HEX., 8X16.....	-	-	-	4	4	4	
25	05321	96100-62010	BEARING, BALL, RADIAL, 6201.....	1	1	1	1	1	1	
26	16555	96140-62010	BEARING, BALL, RADIAL, 6201R.....	1	1	1	1	1	1	

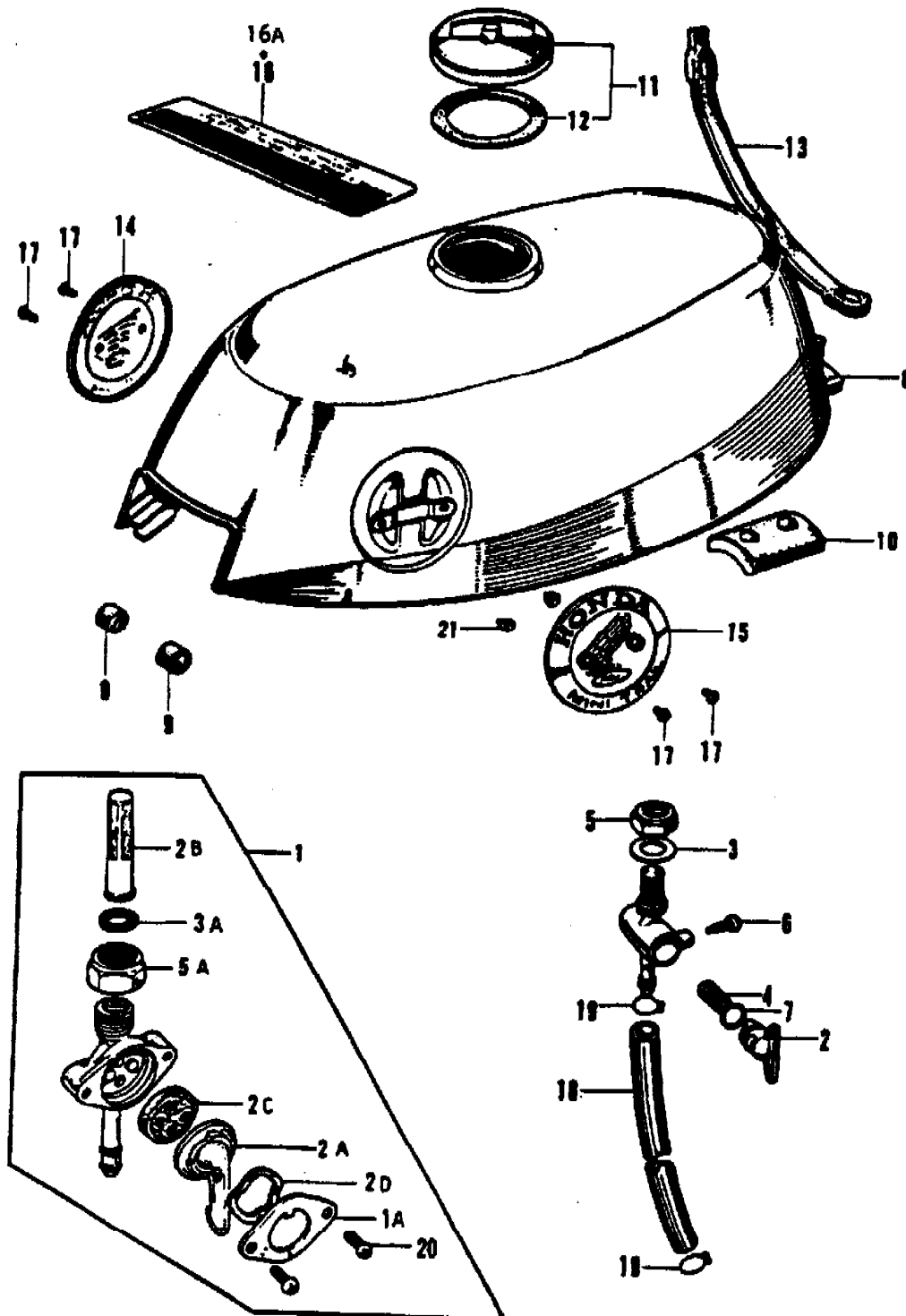
Fuel Tank



FUEL TANK

Ref. No.	N/C	Part Number	Description	250	K1	K2	K3	K4	K5	Remarks
1	20974	16950-045-005	COCK ASSY., FUEL.....	1	1	1	1	1	1	
1A	20975	16952-081-005	COVER, COCK.....	-	-	1	-	-	-	F 250A-242187 TO
2	12542	16953-044-004	LEVER, FUEL COCK.....	1	1	-	-	-	-	F 250A-100001 TO 250A-242186
2A	20976	16953-081-005	LEVER, COCK.....	-	1	1	-	-	-	F 250A-242187 TO
2B	20977	16954-045-005	STRAINER.....	-	1	1	-	-	-	F 250A-242187 TO
2C	04223	16955-268-020	PACKING, COCK.....	-	1	1	-	-	-	F 250A-242187 TO
2D	17966	16956-028-004	SPRING, COCK LEVER.....	-	1	1	-	-	-	F 250A-242187 TO
3	12543	16958-044-004	PACKING, TURN BUCKLE NUT.....	1	1	-	-	-	-	F 250A-100001 TO 250A-242186
3A	20978	16958-081-015	PACKING, STRAINER.....	-	1	1	-	-	-	F 250A-242187 TO
4	12544	16960-044-004	SPRING, VALVE.....	1	1	-	-	-	-	F 250A-100001 TO 250A-242186
5	12545	16962-044-004	NUT, TURN BUCKLE.....	1	1	-	-	-	-	F 250A-100001 TO 250A-242186
5A	20979	16962-081-005	NUT, TURN BUCKLE.....	-	1	1	-	-	-	F 250A-242187 TO
6	12546	16963-044-004	SCREW, LEVER STOPPER.....	1	1	-	-	-	-	F 250A-100001 TO 250A-242186
7	12547	16997-044-004	O RING.....	1	1	-	-	-	-	F 250A-100001 TO 250A-242186
8	18245	17500-045-670BR	TANK, FUEL *CANDY RED & SILVER*....	-	1	-	-	-	-	F 250A-120088 TO 250A-270235
	18289	17500-045-670BZ	TANK, FUEL *CANDY BLUE & SILVER*....	-	1	-	-	-	-	F 250A-120088 TO 250A-270235
	18290	17500-045-670CJ	TANK, FUEL *BRIGHT YELLOW & SILVER*....	-	1	-	-	-	-	F 250A-120088 TO 250A-270235
	22322	17500-045-670CR	TANK, FUEL *CANDY RUBY RED & WHITE*....	-	-	1	-	-	-	F 250A-270236 TO
	22323	17500-045-671CU	TANK, FUEL *CANDY SAPPHIRE BLUE & WHITE*....	-	-	1	-	-	-	F 250A-270236 TO
	22324	17500-045-671DQ	TANK, FUEL *MEXICAN YELLOW & WHITE*....	-	-	1	-	-	-	F 250A-270236 TO
9	17444	17611-045-020	CUSHION, FUEL TANK, FRONT.....	2	2	-	-	-	-	F 250A-100001 TO 250A-173239
	20230	17611-045-670	CUSHION, FUEL TANK, FRONT.....	-	2	2	-	-	-	F 250A-173240 TO
10	17445	17613-045-000	CUSHION, FUEL TANK, REAR.....	1	1	1	-	-	-	
11	17446	17620-045-010	CAP, FUEL FILLER..... (SUPERSEDED 17620-045-670)	1	1	-	-	-	-	F 250A-100001 TO 250A-270235
	21901	17620-045-670	CAP, FUEL FILLER.....	1	1	1	-	-	-	F 250A-270236 TO
12	17447	17631-045-000	PACKING, FUEL FILLER CAP.....	1	1	-	-	-	-	F 250A-100001 TO 250A-270235
	00625	17631-001-000	PACKING, FUEL FILLER CAP.....	-	-	1	-	-	-	F 250A-270236 TO
13	17448	17670-045-670	BAND, FUEL TANK SETTING.....	1	1	1	-	-	-	
14	17513	87121-045-670	EMBLEM, RIGHT, FUEL TANK.....	1	1	-	-	-	-	F 250A-100001 TO 250A-270235
	21902	87121-045-000	EMBLEM, RIGHT FUEL TANK.....	-	-	1	-	-	-	F 250A-270236 TO
15	17514	87122-045-670	EMBLEM, LEFT, FUEL TANK.....	1	1	-	-	-	-	F 250A-100001 TO 250A-270235
	21902	87121-045-000	EMBLEM, RIGHT, FUEL TANK.....	-	-	1	-	-	-	F 250A-270236 TO
16	17515	87504-045-670	PLATE A, CAUTION.....	1	1	-	-	-	-	F 250A-100001 TO 250A-120087
	18204	87504-045-671	PLATE A, CAUTION.....	-	1	-	-	-	-	F 250A-120088 TO 250A-270235
	21903	87504-045-010	LABEL A, CAUTION.....	-	-	1	-	-	-	F 250A-270236 TO
16A	21904	87505-045-010	LABEL B, CAUTION.....	-	-	1	-	-	-	F 250A-270236 TO

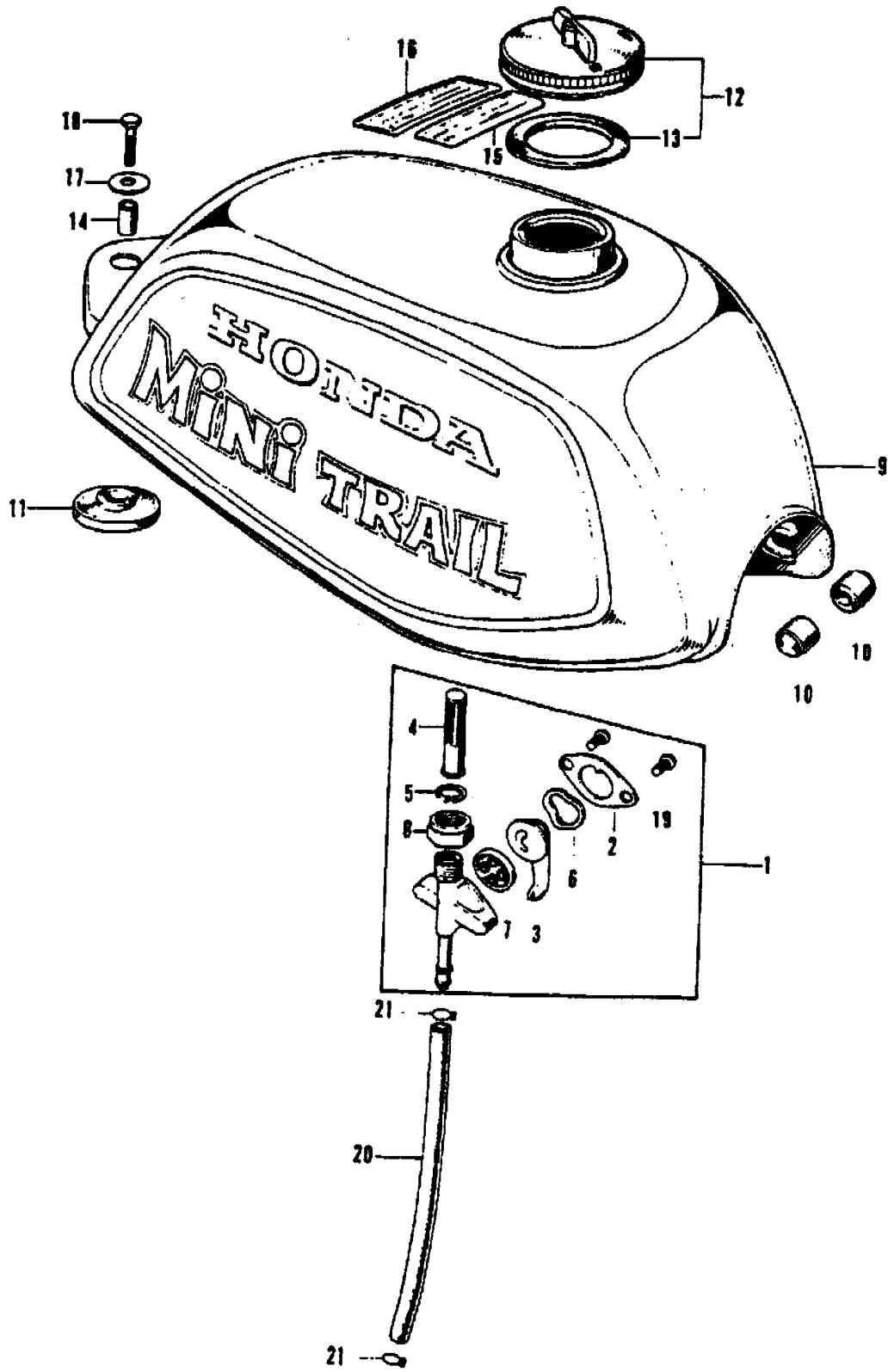
Fuel Tank



FUEL TANK

Ref. No.	N/C	Part Number	Description	250 K1 K2 K3 K4 K5						Remarks
17	17588	93700-03008-08	SCREW, OVAL, 3x8.....	4	4	-	-	-	-	F 250A-100001 TO 250A-270235
18	35888	95001-45000-90	TUBE, FUEL FEED, 4.5MM.....	1	1	1	-	-	-	
19	05353	95002-45000	CLIP, FUEL TUBE, 4.5MM.....	2	2	2	-	-	-	
20	16665	93500-03006-0A	SCREW, PAN 3x6	-	2	2	-	-	-	F 250A-242187 TO
21	16672	87311-516-000	ORNAMENT, CLAMP, REAR.....	-	4	4	-	-	-	F 250A-242187 TO

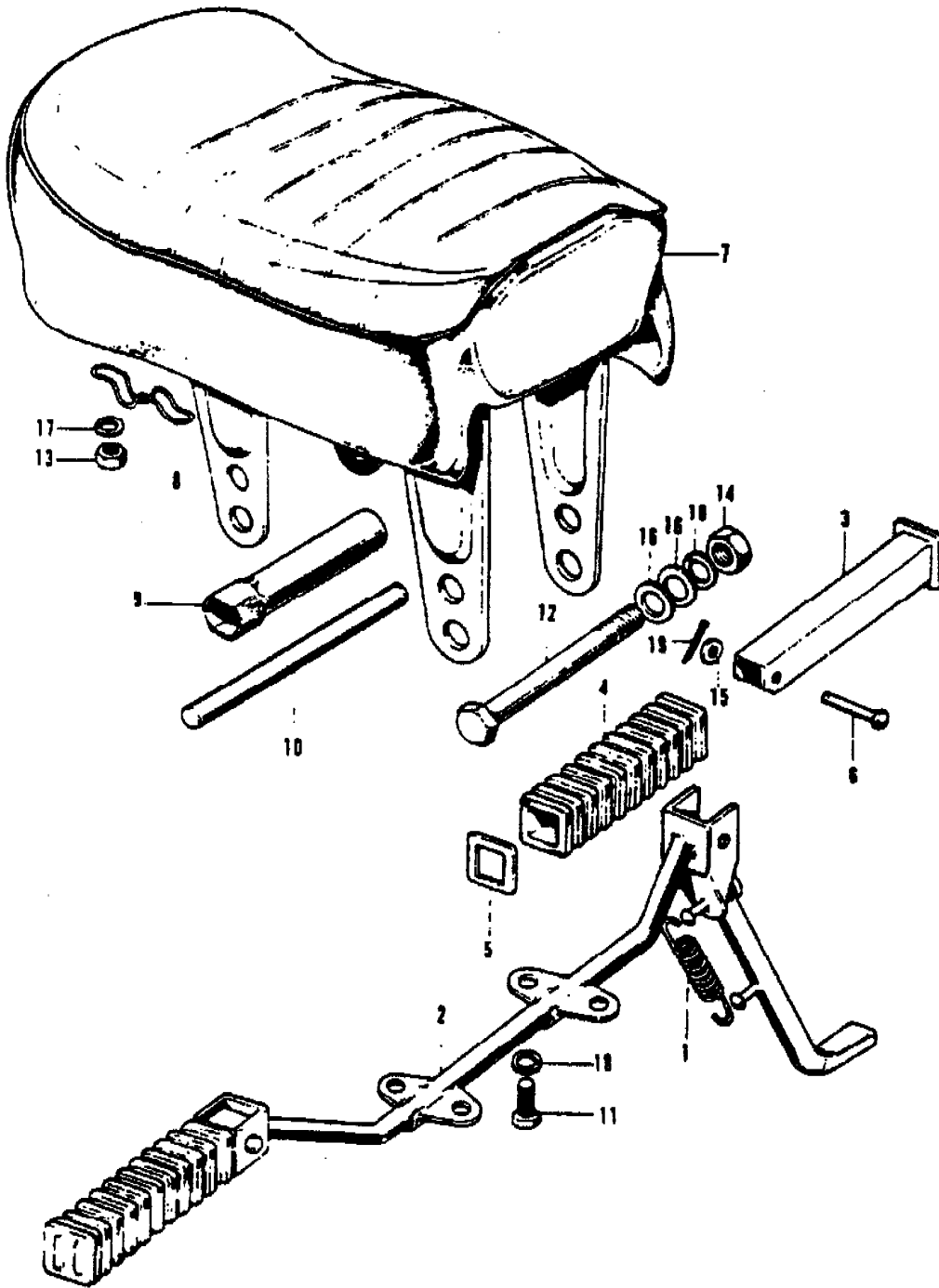
Fuel Tank



Fuel Tank

Ref. NO.	N/C	Part Number	Description	250	K1	K2	K3	K4	K5	Remarks
1	20974	16950-045-005	COCK ASSY., FUEL.....	-	-	-	1	1	1	
2	20975	16952-081-005	COVER, COCK.....	-	-	-	1	1	1	
3	20976	16953-081-005	LEVER, COCK.....	-	-	-	1	1	1	
4	20977	16954-045-005	STRAINER, FUEL COCK.....	-	-	-	1	1	1	
5	04223	16955-268-020	PACKING, COCK.....	-	-	-	1	1	1	
6	17966	16956-028-004	SPRING, COCK LEVER.....	-	-	-	1	1	1	
7	20978	16958-081-015	PACKING, TURN BUCKLE NUT.....	-	-	-	1	1	1	
8	20979	16962-081-005	NUT, TURN BUCKLE.....	-	-	-	1	1	1	
9	30534	17500-120-305HX	TANK COMP., FUEL *LIGHT RUBY RED*..	-	-	-	1	-	-	
	30535	17500-120-305LX	TANK COMP., FUEL *CANDY GOLD CUSTOM*	-	-	-	1	-	-	
	30535	17500-130-305MK	TANK COMP., FUEL..... *HAWAIIAN BLUE METALLIC CUSTOM*	-	-	-	-	1	-	
	30537	17500-130-305NC	TANK COMP., FUEL..... *CANDY ORANGE CUSTOM*	-	-	-	-	1	-	
	34815	17500-130-405CM	TANK COMP., FUEL..... *CANDY SAPPHIRE BLUE*	-	-	-	-	-	1	
	34816	17500-130-405DD	TANK COMP., FUEL..... *CANDY TOPAZ ORANGE*	-	-	-	-	-	1	
10	20230	17611-045-670	CUSHION, FUEL TANK FRONT.....	-	-	-	2	2	2	
11	27152	17613-120-000	CUSHION, FUEL TANK.....	-	-	-	1	1	1	
12	21901	17620-045-670	CAP COMP., FUEL FILLER.....	-	-	-	1	1	1	
13	00625	17631-001-000	PACKING, FUEL FILLER CAP.....	-	-	-	1	1	1	
14	18665	80109-061-010	COLLAR B, REAR FENDER.....	-	-	-	1	1	1	
15	24843	87504-045-020B	LABEL A, CAUTION *BLACK PRINT*.... *APPLICABLE FOR TANK COLOR-LIGHT RUBY RED*	-	-	-	1	1	1	
	28810	87504-045-020S	LABEL A, CAUTION *SILVER PRINT*.... *APPLICABLE FOR TANK COLOR-LIGHT RUBY RED*	-	-	-	1	1	1	
16	26934	87560-323-670A	MARK, DRIVE CAUTION *WHITE PRINT*.. *APPLICABLE FOR TANK COLOR CANDY GOLD CUSTOM*	-	-	-	1	1	1	
	26935	87560-323-670B	MARK, DRIVE CAUTION *BLACK PRINT*.. *APPLICABLE FOR TANK COLOR LIGHT RUBY RED*	-	-	-	1	1	1	
17	07387	90514-700-000	WASHER, TANK COLLAR LOCK.....	-	-	-	1	1	1	
18	05432	92000-06025	BOLT, HEX., 6X25.....	-	-	-	1	1	1	
19	21625	93700-03006-08	SCREW, OVAL, 3X6.....	-	-	-	2	2	2	
20	25264	95001-35000-40	TUBE, FUEL, 3.5.....	-	-	-	1	1	1	
21	25064	95002-02080	CLIP, 08, TUBE.....	-	-	-	2	2	2	

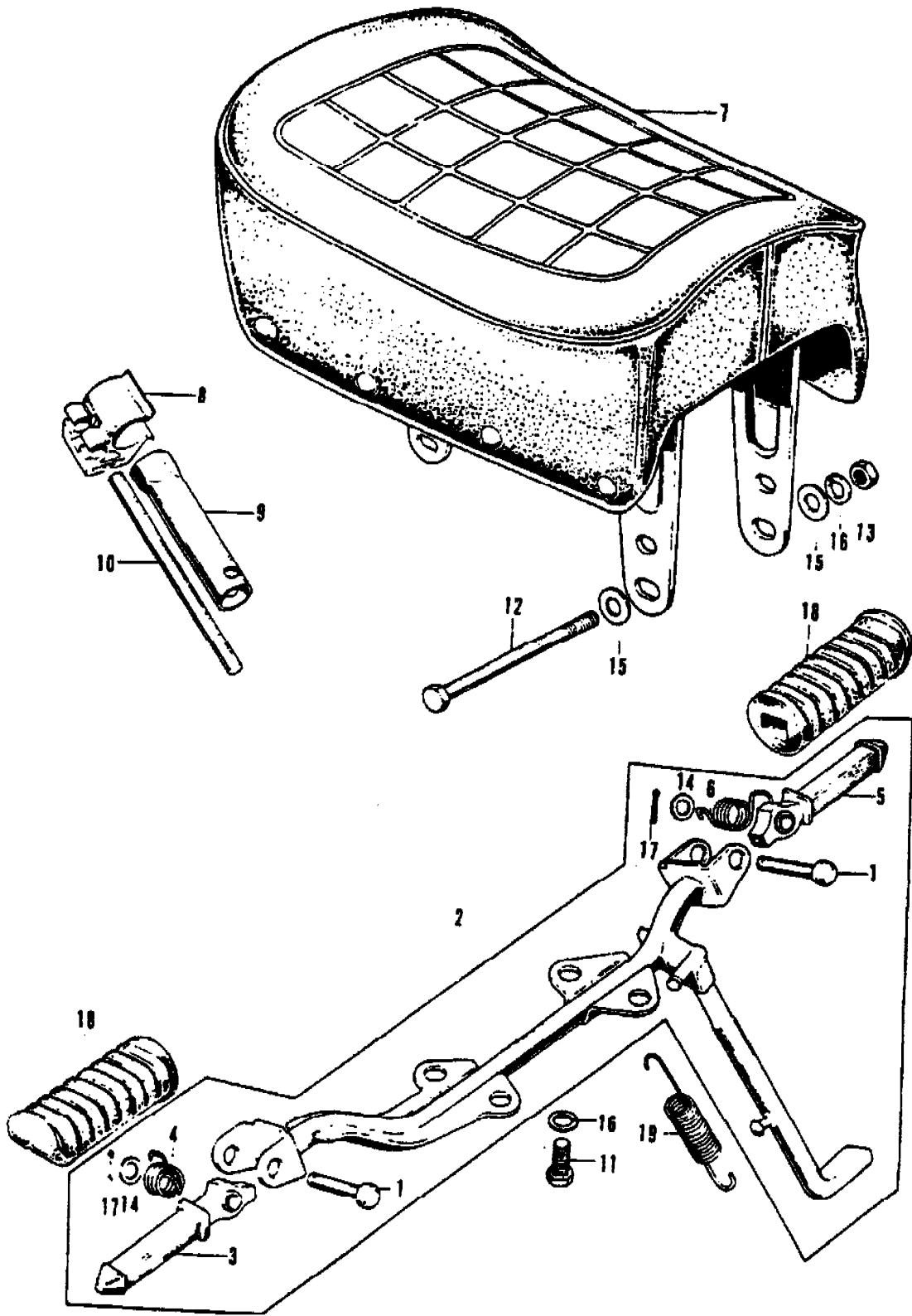
Seat . Step



Seat . Step Bar

Ref. No.	H/C	Part Number	Description	Z50	K1	K2	K3	K4	K5	Remarks
1	17524	50542-045-010	SPRING, SIDE STAND.....	1	1	1	-	-	-	
2	17525	50610-045-670	BAR, STEP.....	1	1	1	-	-	-	
3	18205	50701-045-670	BAR, PILLION STEP..... (SUPERSEDED BY 95015-62000)	2	2	-	-	-	-	F 250A-100001 TO 250A-27C235
	25778	95015-62000	BAR, PILLION STEP.....	2	2	-	-	-	-	
	21905	50615-045-670	BAR, PILLION STEP.....	-	-	2	-	-	-	F 250A-270236 TO
4		50705-024-000	NOT AVAILABLE USE, 50731-024-000...							
	16653	50731-024-000	RUBBER, PILLION STEP..... (SUPERSEDED BY 95011-31000)	2	2	2	-	-	-	
	25568	95011-31000	STEP RUBBER.....	2	2	2	-	-	-	
5		50712-024-000	NOT AVAILABLE USE, 95015-91000.....							
	25774	95015-91000	WASHER, PILLION STEP.....	2	2	2	-	-	-	
6	01940	50715-024-000	PIN, PILLION STEP..... (SUPERSEDED BY 95015-81000)	2	2	2	-	-	-	
	33156	95015-81000	PIN, PILLION STEP.....	2	2	2	-	-	-	
7	11444	77100-045-671A	SEAT.....	1	1	1	-	-	-	
8	17512	77135-045-671	WIRE, SPARK PLUG..... *WRENCH HOLDER*	2	2	2	-	-	-	
9	20169	89216-045-010	WRENCH, SPARK PLUG.....	1	1	1	-	-	-	
10	18156	89217-045-670	BAR, HANDLE.....	-	1	1	-	-	-	F 250A-108296 TO
11	17172	92000-08020-0A	BOLT, HEX., 8X20.....	4	4	4	-	-	-	
12	13627	92000-08112	BOLT, HEX., 8X112..... (SUPERSEDED BY 92000-08112-0A)	2	2	2	-	-	-	
	17363	92000-08112-0A	BOLT, HEX., 8X112.....	2	2	2	-	-	-	
13	15606	94001-06000-0S	NUT, HEX., 6MM.....	2	2	2	-	-	-	
14	11468	94030-08000	NUT, HEX., 8MM.....	2	2	-	-	-	-	F 250A-100001 TO 250A-108295
	16733	94001-08000-0S	NUT, HEX., 8MM.....	-	2	2	-	-	-	F 250A-108296 TO
15	05907	94101-06000	WASHER, PLAIN, 6MM.....	2	2	2	-	-	-	
16	05909	94101-08000	WASHER, PLAIN, 8MM.....	4	4	4	-	-	-	
17	05897	94111-06000	WASHER, SPRING, 6MM.....	2	2	2	-	-	-	
18	05898	94111-08000	WASHER, SPRING, 8MM.....	6	6	6	-	-	-	
19	05833	94201-16250	PIN, COTTER, 1.6MM.....	2	2	2	-	-	-	

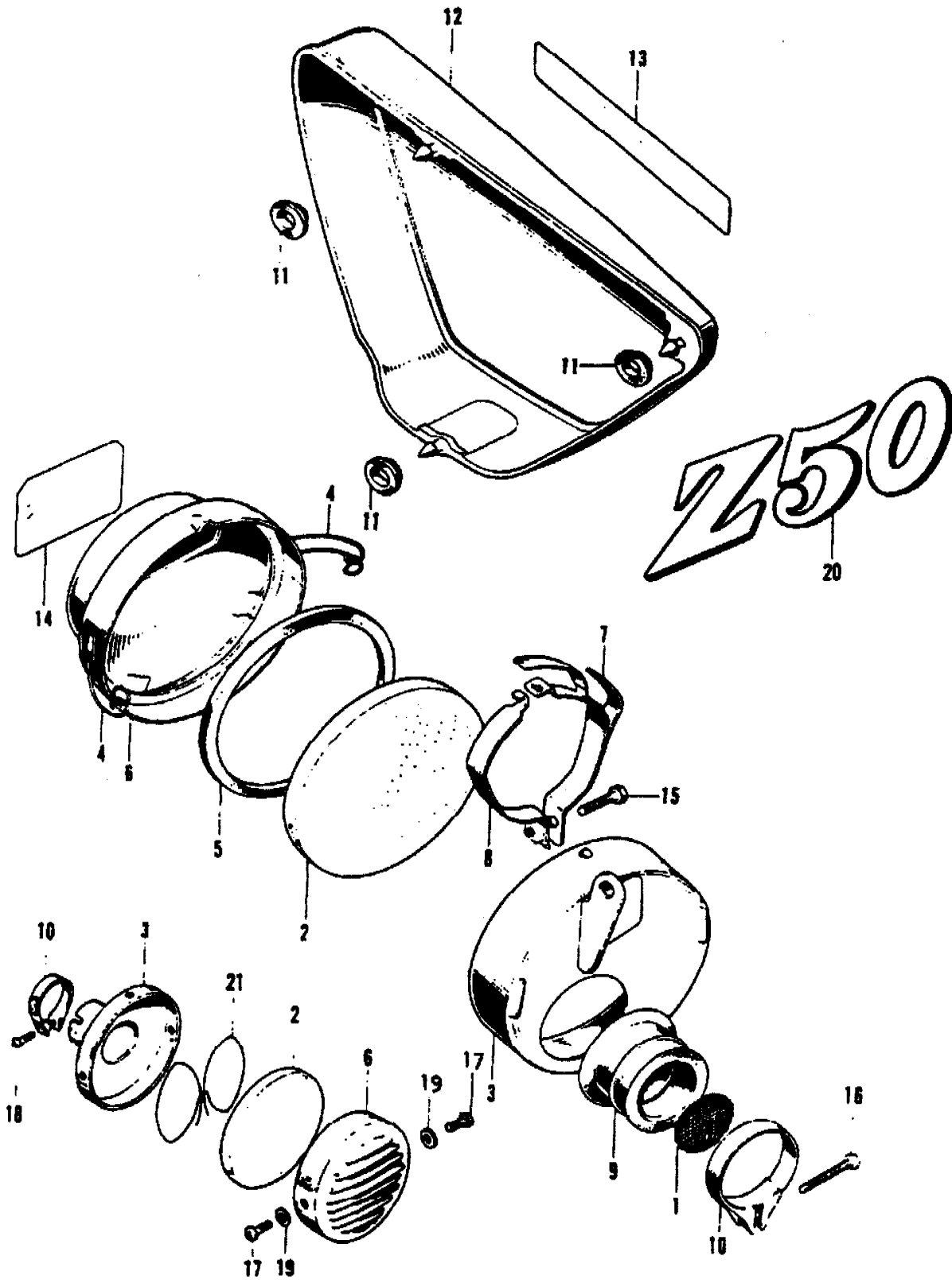
Seat - Step Bar



Seat . Step Bar

Ref. No.	N/C	Part Number	Description	750	K1	K2	K3	K4	K5
1	01934	50603-033-000	PIN, STEP ARM JOINT.....	-	-	-	2	-	-
2	27096	50610-120-000	BAR COMP., STEP.....	-	-	-	1	-	-
	30217	50610-130-670	BAR COMP., STEP.....	-	-	-	-	1	1
3	23266	50616-312-010	ARM COMP., RIGHT STEP.....	-	-	-	1	-	-
	30218	50616-130-670	ARM COMP., RIGHT STEP.....	-	-	-	-	1	1
4	12900	50617-056-670	SPRING, RIGHT STEP RETURN.....	-	-	-	1	-	-
	29339	50617-329-000	SPRING, RIGHT STEP RETURN.....	-	-	-	-	1	1
5	23267	50642-312-010	ARM COMP., LEFT STEP.....	-	-	-	1	-	-
	30219	50642-130-670	ARM COMP., LEFT STEP.....	-	-	-	-	1	1
6	12902	50644-056-670	SPRING, LEFT STEP RETURN.....	-	-	-	1	-	-
	28201	50644-329-000	SPRING, LEFT STEP RETURN.....	-	-	-	-	1	1
7	27123	77100-120-000A	SEAT COMP., *BLACK*.....	-	-	-	1	-	-
	30220	77100-130-670A	SEAT COMP., *BLACK*.....	-	-	-	-	1	1
8	27118	83520-120-000	HOLDER, TOOL.....	-	-	-	1	1	1
9	20169	89216-045-010	WRENCH, SPARK PLUG.....	-	-	-	1	1	1
10	18156	89217-045-670	BAR, HANDLE.....	-	-	-	1	1	1
11	17172	92000-08020-0A	BOLT, HEX., 8X20.....	-	-	-	4	4	4
12	25685	92000-08100-0A	BOLT, HEX., 8X100.....	-	-	-	2	2	2
13	16733	94001-08000-0S	NUT, HEX., 8MM.....	-	-	-	2	2	2
14	05907	94101-06000	WASHER, PLAIN, 6MM.....	-	-	-	2	2	2
15	05909	94101-08000	WASHER, PLAIN, 8MM.....	-	-	-	4	4	4
16	05898	94111-08000	WASHER, SPRING, 8MM.....	-	-	-	6	6	6
17	05833	94201-16250	PIN, SPLIT, 1.6MM.....	-	-	-	2	2	2
18	27104	95011-24000	RUBBER O, STEP.....	-	-	-	2	2	2
19		95014-72100	NOT AVAILABLE USE, 95014-72101.....	-	-	-	-	-	-
	30195	95014-72101	SPRING, SIDE STAND.....	-	-	-	1	1	1

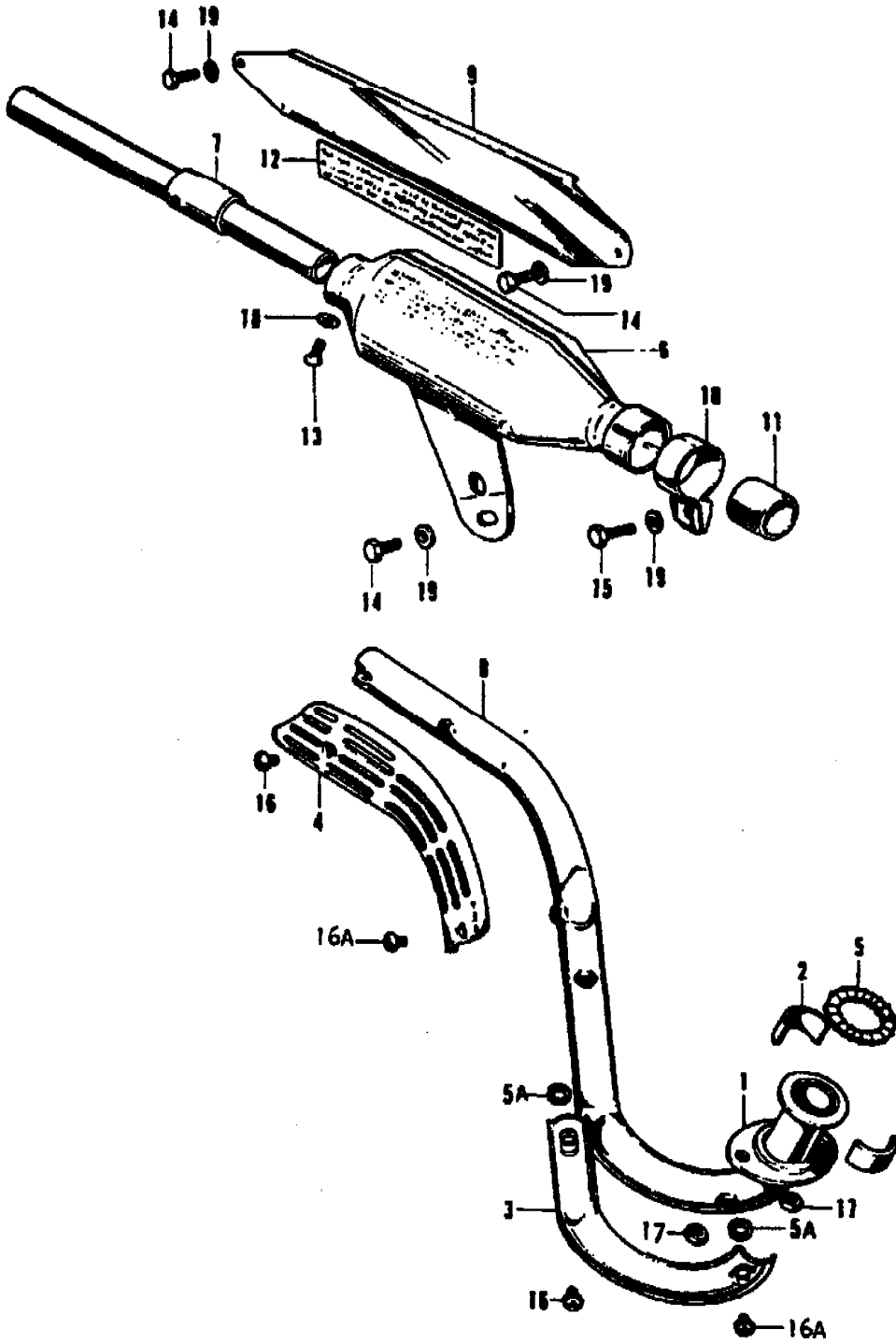
Left Side Cover - Air Cleaner



Air Cleaner

Ref. No.	M/C	Part Number	Description						Remarks	
				250	K1	K2	K3	K4		K5
1	28782	16202-045-720	TRAP, FRAME.....	-	-	-	1	1	1	
2	17437	17211-045-670	ELEMENT, AIR CLEANER.....	1	1	1	-	-	-	
	27158	17211-120-000	ELEMENT, AIR CLEANER.....	-	-	-	1	1	1	
3	17439	17221-045-670	CASE, AIR CLEANER.....	1	1	1	-	-	-	
	27159	17221-120-010	CASE, AIR CLEANER.....	-	-	-	1	1	1	
4	31330	17222-120-020	SPRING, CLEANER CASE.....	-	-	-	2	2	2	
5	27160	17225-120-000	SEAL, AIR CLEANER.....	-	-	-	1	1	1	
6	17440	17231-045-670	COVER, AIR CLEANER.....	1	1	1	-	-	-	
	27153	17231-120-020	COVER, AIR CLEANER.....	-	-	-	1	1	1	
7	27154	17240-120-010	BAND A, CLEANER.....	-	-	-	1	1	1	
8	27155	17241-120-010	BAND B, CLEANER.....	-	-	-	1	1	1	
9	27149	17253-120-010	TUBE, AIR CLEANER.....	-	-	-	1	1	1	
10	17441	17255-045-670	BAND, AIR CLEANER CONNECTING.....	1	1	1	-	-	-	
	11476	17255-098-000	BAND, AIR CLEANER CONNECTING TUBE.	-	-	-	1	1	1	
11	20499	83551-300-000	GROMMET, AIR CLEANER CASE.....	-	-	-	3	3	3	
12	27119	83640-120-000HX	COVER, LEFT SIDE *LIGHT RUBY RED*.	-	-	-	1	1	-	
	27120	83640-120-000LX	COVER, LEFT SIDE *CANDY GOLD CUSTOM*.	-	-	-	1	1	-	
	30221	83640-120-000MX	COVER, LEFT SIDE..... *HAWAIIAN BLUE METALLIC CUSTOM*	-	-	-	-	1	-	
	30222	83640-120-000NC	COVER, LEFT SIDE..... *CANDY DRANGE CUSTOM*	-	-	-	-	1	-	
	34819	83640-130-305CN	COVER, LEFT SIDE..... *CANDY SAPPHIRE BLUE*	-	-	-	-	-	1	
	34820	83640-130-305DD	COVER, LEFT SIDE..... *CANDY TOPAZ ORANGE*	-	-	-	-	-	1	
13	27117	87505-045-020B	LABEL B, CAUTION *BLACK PRINT*..... *APPLICABLE FOR LEFT SIDE COVER COLOR LIGHT RUBY RED*	-	-	-	-	1	-	
	28811	87505-045-020S	LABEL B, CAUTION *SILVER PRINT*..... *APPLICABLE FOR LEFT SIDE COVER COLOR CANDY GOLD CUSTOM*	-	-	-	1	1	1	
14	28812	87508-120-000	LABEL, AIR CLEANER CAUTION.....	-	-	-	1	1	1	
15	05427	92000-06020	BOLT, HEX., 6X20.....	-	-	-	1	1	1	
16	18836	93500-04025-0A	SCREW, PAN, 4X25.....	-	-	-	1	1	1	
17	15646	93500-04008-0A	SCREW, PAN, 4X8.....	2	2	2	-	-	-	
18	17368	93500-04016-0A	SCREW, PAN, 4X16.....	1	1	1	-	-	-	
19	05904	94101-04000	WASHER, PLAIN, 4MM.....	2	2	2	-	-	-	
20	30223	87128-130-671	EMBLEM, SIDE COVER.....	-	-	-	-	1	1	
21	17438	17213-045-670	WIRE, ELEMENT SUPPORT.....	1	1	1	-	-	-	

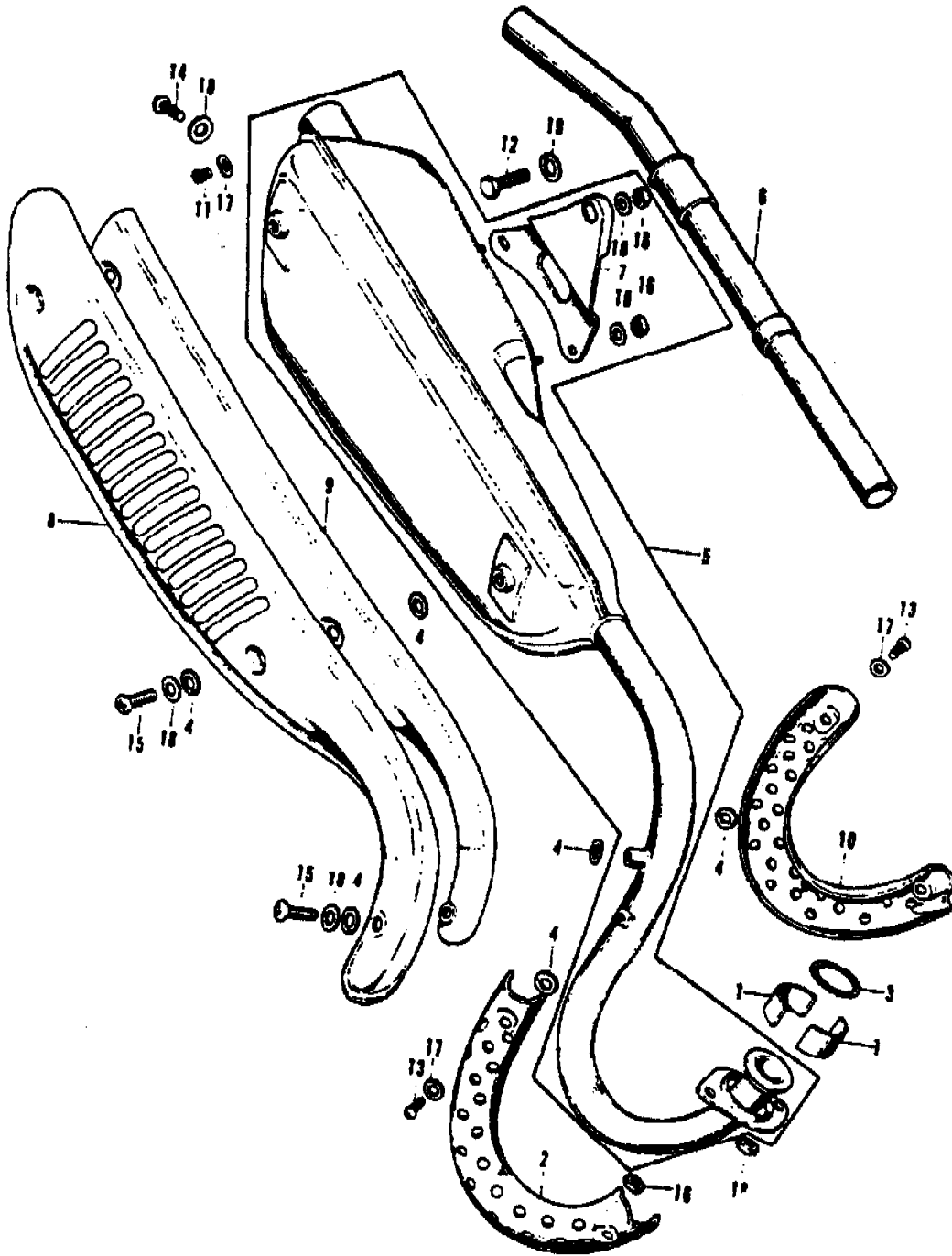
Muffler



MUTTER

Ref. No.	M/C	Part Number	Description	Z50	K1	K2	K3	K4	K5	Remarks
1	17450	18231-041-300	JOINT, EXHAUST PIPE..... (SUPERSEDED BY 18231-040-000)	1	1	1	-	-	-	
	34175	18231-040-000	JOINT, EXHAUST PIPE.....	1	1	1	-	-	-	
2	17451	18233-040-010	COLLAR, EXHAUST PIPE JOINT.....	2	2	2	-	-	-	
3	17452	18240-045-030	COVER, EXHAUST PIPE.....	1	1	-	-	-	-	F Z50A-100001 TO Z50A-270235
	21907	18240-045-670	COVER, EXHAUST PIPE.....	-	-	1	-	-	-	F Z50A-270236 TO
4	17453	18241-045-000	PROTECTOR, EXHAUST PIPE.....	1	1	1	-	-	-	
5	00636	18291-001-010	GASKET, EXHAUST PIPE.....	1	1	1	-	-	-	
5A		18292-290-000	NOT AVAILABLE USE, 18292-329-000...							
	29306	18292-329-000	PACKING, PROTECTOR.....	-	-	4	-	-	-	
6	17454	18310-045-671	MUFFLER.....	1	1	1	-	-	-	
7	18207	18314-045-670	PIPE, DIFFUSER.....	-	1	1	1	-	-	F Z50A-120088 TO
8	20805	18320-045-671	PIPE, EXHAUST.....	1	1	-	-	-	-	
9	17458	18360-045-6702	PROTECTOR, MUFFLER.....	1	1	-	-	-	-	F Z50A-100001 TO Z50A-105306
	17812	18360-045-6712	PROTECTOR, MUFFLER.....	-	1	1	-	-	-	F Z50A-105307 TO
10	17459	18371-045-000	BAND, EXHAUST PIPE.....	1	1	1	-	-	-	
11	17460	18391-045-000	PACKING, MUFFLER.....	1	1	1	-	-	-	
12		87505-045-670	NOT AVAILABLE USE, 87506-045-000...							
	21598	87506-045-000	PLATE C, CAUTION.....	1	1	1	-	-	-	F Z50A-270236 TO
13	17592	92000-05008-4J	BOLT, HEX., 5X8.....	1	1	1	-	-	-	
14	05419	92000-06012	BOLT, HEX., 6X12.....	3	3	3	-	-	-	F Z50A-100001 TO Z50A-108295
		92000-06012-0A	NOT AVAILABLE USE, 92000-06012.....							
15	05425	92000-06018	BOLT, HEX., 6X18.....	1	1	1	-	-	-	
16	17593	93500-05004-0A	SCREW, PAN, 5X4.....	4	4	4	-	-	-	F Z50A-100001 TO Z50A-270236
	17593	93500-05004-0A	SCREW, PAN, 5X4.....	-	-	2	-	-	-	F Z50A-270237 TO
16A	14554	93500-05008-0A	SCREW, PAN, 5X8.....	-	-	2	-	-	-	F Z50A-270236 TO
17	15606	94001-06000-05	NUT, HEX., 6MM.....	-	2	2	-	-	-	F Z50A-108296 TO
18	05905	94101-05000	WASHER, PLAIN, 5MM.....	1	1	1	-	-	-	
18A	05906	94101-05200	WASHER, PLAIN, 5MM.....	-	-	2	-	-	-	F Z50A-270236 TO
19	05907	94101-06000	WASHER, PLAIN, 6MM.....	4	4	4	-	-	-	

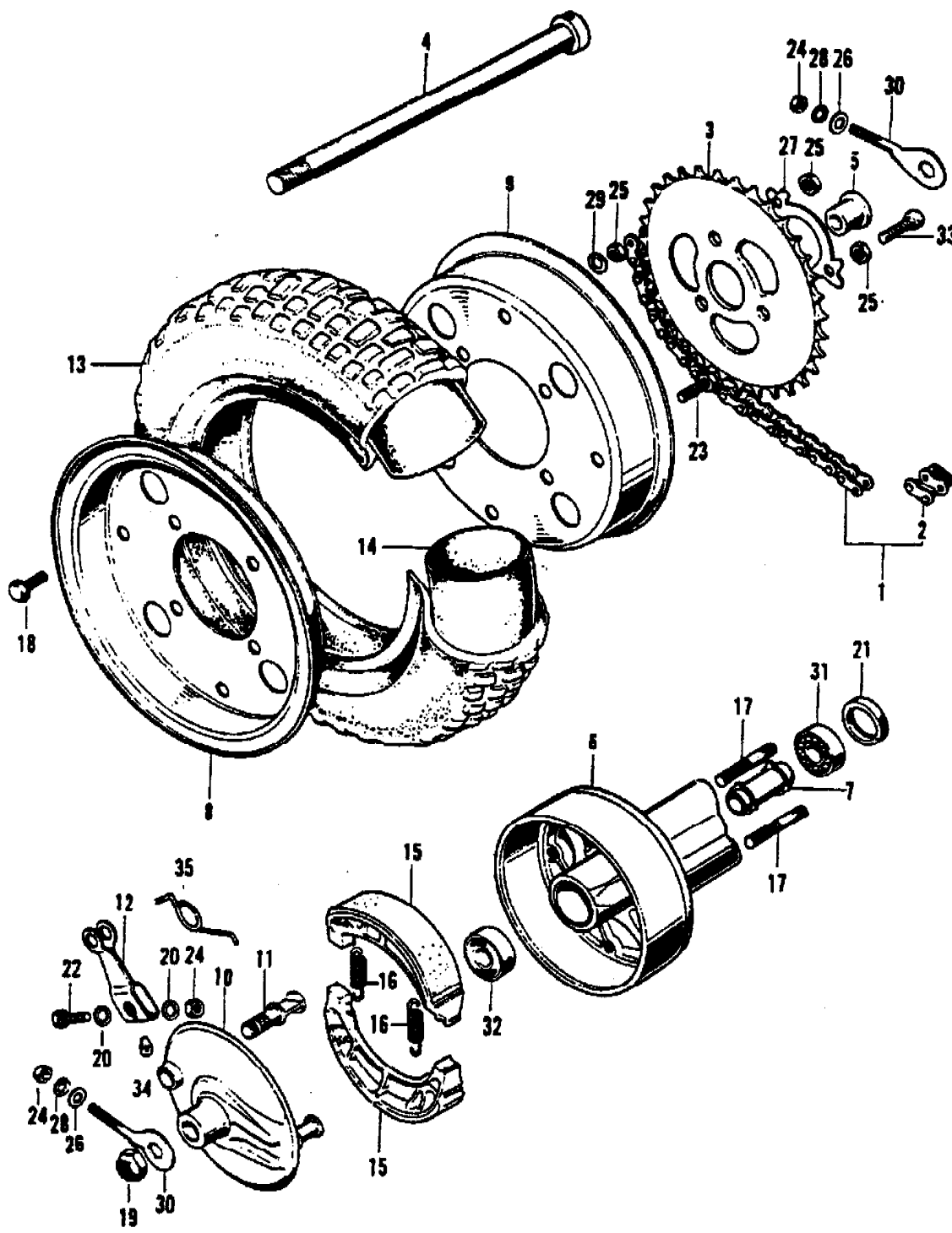
Muffler



STANDARD

Ref. No.	H/C	Part Number	Description	ZSD	K1	K2	K3	K4	K5	Remarks
1	17451	18233-040-010	COLLAR, EXHAUST PIPE JOINT.....	-	-	-	2	2	2	
2	27146	18240-120-000	COVER A, EXHAUST PIPE.....	-	-	-	1	1	1	
3	00636	18291-001-010	GASKET, EXHAUST PIPE.....	-	-	-	1	1	1	
4		18292-290-000	NOT AVAILABLE USE, 18292-329-000...							
	29306	18292-329-000	PACKING, PROTECTOR.....	-	-	-	10	10	10	
5	27147	18300-120-670CT	MUFFLER COMP., EXHAUST *OFF BLACK*..	-	-	-	1	1	1	
6	27148	18314-120-000	PIPE, DIFFUSER.....	-	-	-	1	1	1	
7	27156	18353-120-000CT	STAY, MUFFLER HANGER *OFF BLACK*...	-	-	-	1	1	1	
8	27180	18360-120-000XW	PROTECTOR, MUFFLER *CHROME PLATE*..	-	-	-	1	1	1	
9	27181	18361-120-000	PROTECTOR B, MUFFLER.....	-	-	-	1	1	1	
10	28783	18450-120-000	COVER B, EXHAUST PIPE.....	-	-	-	1	1	1	
11	17592	92000-0500B-4J	BOLT, HEX., 5X8.....	-	-	-	1	1	1	
12	17172	92000-08020-0A	BOLT, HEX., 8X20.....	-	-	-	1	1	1	
13	20984	93500-05006-0A	SCREW, PAN, 5X6.....	-	-	-	4	4	4	
14	05740	93500-06010	SCREW, PAN, 6X10.....	-	-	-	1	1	1	
15	05744	93500-06014	SCREW, PAN, 6X14.....	-	-	-	3	3	3	
16	15606	94001-06000-05	NUT, HEX., 6MM.....	-	-	-	4	4	4	
17	05905	94101-05000	WASHER, PLAIN, 5MM.....	-	-	-	5	5	5	
18	05907	94101-06000	WASHER, PLAIN, 6MM.....	-	-	-	3	3	3	
19	05898	94111-08000	WASHER, SPRING, 8MM.....	-	-	-	1	1	1	

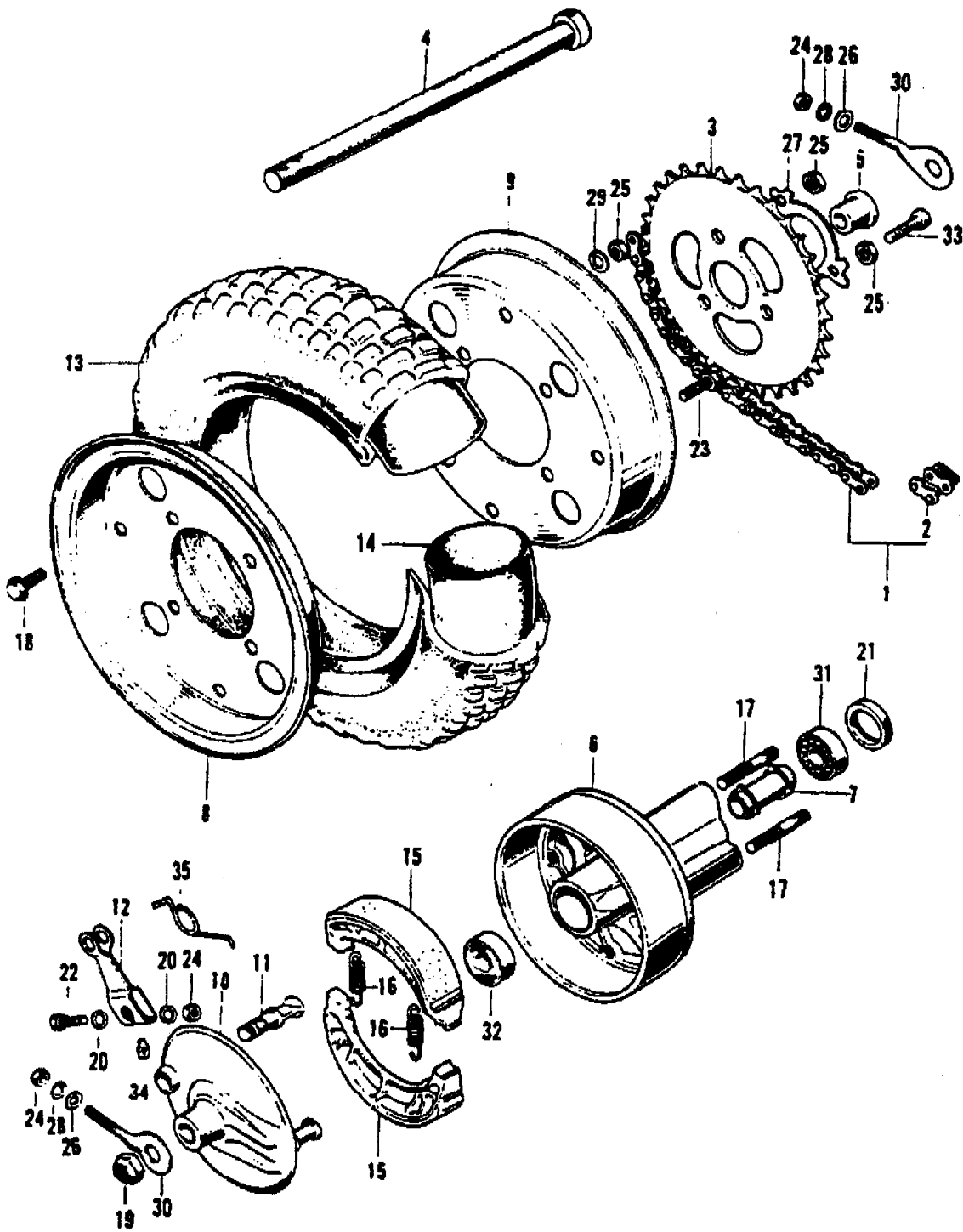
Rear Wheel



Rear Wheel

Ref. No.	M/C	Part Number	Description	Z50 K1 K2 K3 K4 K5					Remarks				
				Z50	K1	K2	K3	K4	K5				
1	17555	40530-045-670	CHAIN, DRIVE, 74L.....	1	1	-	-	-	-	F	Z50A-100001	TO	Z50A-120087
	18209	40530-045-671	CHAIN, DRIVE, 74L.....	-	1	1	-	-	-	F	Z50A-120088	TO	
	19882	40530-045-811	CHAIN, DRIVE, 76L.....	1	1	-	-	-	-	F	Z50A-100001	TO	Z50A-120087
	18213	40530-045-820	CHAIN, DRIVE, 76L.....	-	1	1	-	-	-	F	Z50A-120088	TO	
	28800	40530-120-003	CHAIN, DRIVE, 76L *DAIDO*	-	-	-	1	1	1				
2	17557	40531-045-010	JOINT, DRIVE CHAIN.....	1	1	-	-	-	-	F	Z50A-100001	TO	Z50A-120087
	18210	40531-045-671	JOINT, DRIVE CHAIN.....	-	1	1	-	-	-	F	Z50A-120088	TO	
	28801	40531-120-003	JOINT, DRIVE CHAIN *DAIDO*	-	-	-	1	1	1				
	28802	40531-120-005	JOINT, DRIVE CHAIN *TAKASAGO*	-	-	-	1	1	1				
3	17559	41201-045-670	SPROCKET, FINAL DRIVEN *34T*	1	1	-	-	-	-	F	Z50A-100001	TO	Z50A-106900
	17808	41201-045-671	SPROCKET, FINAL DRIVEN *35T*	-	1	-	-	-	-	F	Z50A-106901	TO	Z50A-120087
	18211	41201-045-672	SPROCKET, FINAL DRIVEN *35T*	-	1	-	-	-	-	F	Z50A-120088	TO	Z50A-237607
	20482	41201-045-673	SPROCKET, FINAL DRIVEN *35T*	-	1	1	-	-	-	F	Z50A-237608	TO	
	17560	41201-045-811	SPROCKET, FINAL DRIVEN *38T*	1	1	-	-	-	-	F	Z50A-100001	TO	Z50A-120087
	18212	41201-045-820	SPROCKET, FINAL DRIVEN *38T*	-	1	-	-	-	-	F	Z50A-120088	TO	Z50A-237607
	20486	41201-045-821	SPROCKET, FINAL DRIVEN *38T*	-	1	1	-	-	-	F	Z50A-237608	TO	
	28803	41201-120-000	SPROCKET, FINAL DRIVEN *37T*	-	-	-	1	1	1				
4	18160	42301-045-010	AXLE, REAR WHEEL.....	1	1	1	-	-	-				
	25037	42301-041-030	AXLE, REAR WHEEL.....	-	-	-	1	1	1				
5	17533	42311-045-000	COLLAR, REAR WHEEL SIDE.....	1	1	1	-	-	-				
	27165	42312-120-000	COLLAR, LEFT REAR WHEEL SIDE.....	-	-	-	1	1	1				
6	17534	42601-045-671	HUB, REAR WHEEL.....	1	1	-	-	-	-	F	Z50A-100001	TO	Z50A-237607
	27166	42601-120-000	HUB, REAR WHEEL.....	-	1	1	1	1	1	F	Z50A-237608	TO	
7	17535	42620-045-020	COLLAR, REAR AXLE DISTANCE.....	1	1	1	1	1	1				
8	21876	42701-045-670S	RIM, RIGHT WHEEL *DARK SILVER*	1	1	-	-	-	-				
	17536	42701-045-670AU	RIM, RIGHT WHEEL *CLOUD SILVER*	-	-	1	1	1	1				
9	21877	42702-045-670S	RIM, LEFT WHEEL *DARK SILVER*	1	1	-	-	-	-				
	17537	42702-045-670AU	RIM, LEFT WHEEL *CLOUD SILVER*	-	-	1	1	1	1				
10	17519	45100-045-020	PANEL, REAR BRAKE.....	1	1	1	1	1	1				
		43100-120-000	NOT AVAILABLE USE, 45100-045-020...										
11	17538	43141-045-000	CAM, REAR BRAKE.....	1	1	1	-	-	-				
	20000	43141-098-000	CAM, REAR BRAKE.....	-	-	-	1	1	1				
12	17539	43410-045-670	ARM, REAR BRAKE.....	1	1	1	-	-	-				
	20001	43410-098-000	ARM, REAR BRAKE.....	-	-	-	1	1	1				
13	17517	44711-045-671	TIRE, WHEEL, 3.50X8.....	1	1	1	-	-	-				
	27432	44711-120-671	TIRE, WHEEL, 3.50X8 *BRIDGESTONE*	-	-	-	1	1	1				
14	17518	44712-045-670	TUBE, WHEEL, 3.50X8.....	1	1	1	-	-	-				

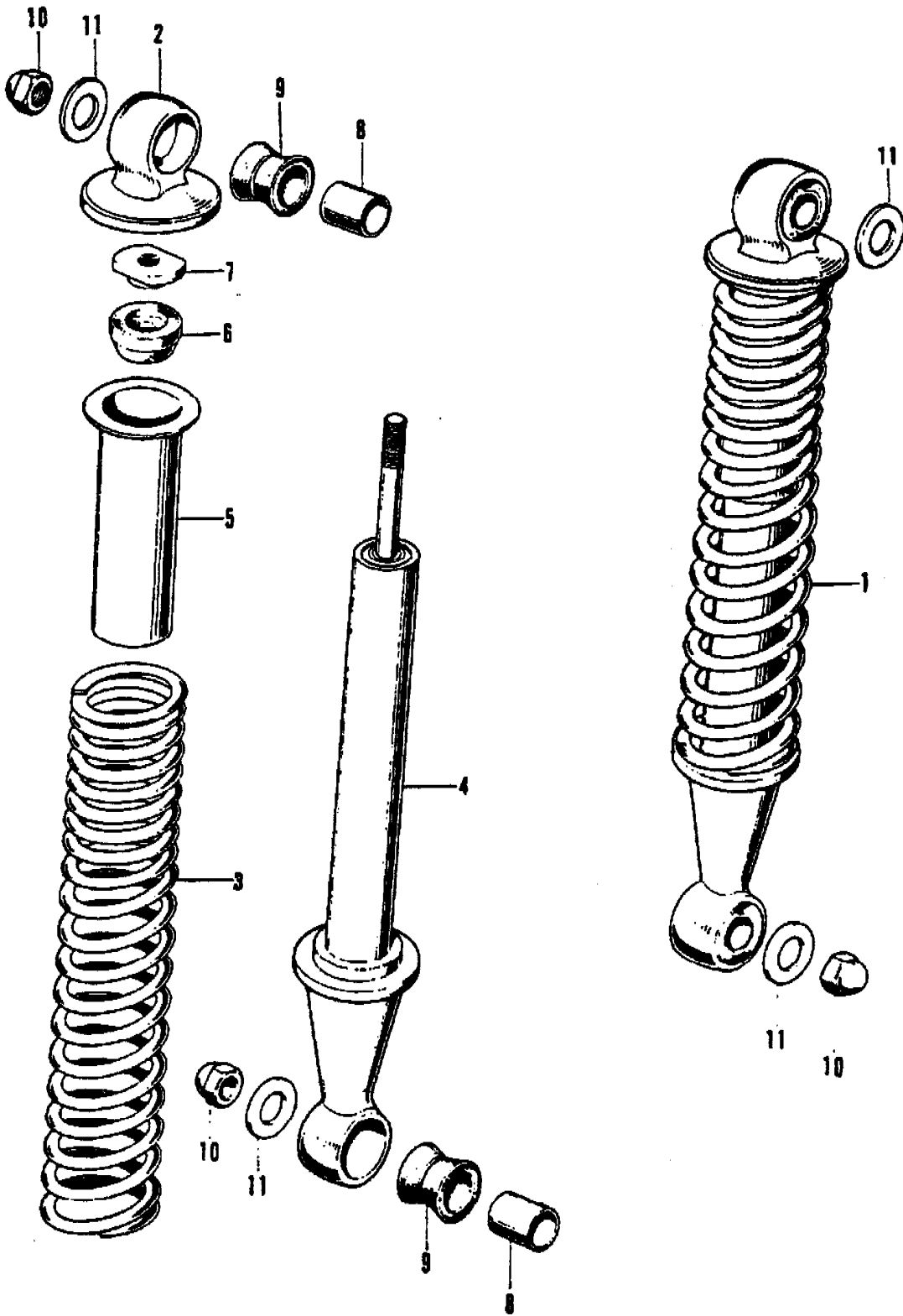
Rear Wheel



Rear Wheel

Ref. No.	H/C	Part Number	Description	250	K1	K2	K3	K4	K5	Remarks
27093		44712-120-003	TUBE, WHEEL *BRIDGESTONE*	-	-	-	1	1	1	
27089		44712-120-006	TUBE, WHEEL *NITTO*	-	-	-	1	1	1	
15	00999	45120-001-010	SHOE, BRAKE	2	2	2	2	2	2	
16	16680	45133-028-000	SPRING, BRAKE SHOE	2	2	2	2	2	2	
17	27112	90125-120-000	BOLT, STUD, 8X45	-	-	-	3	3	3	
18	20471	90194-567-010	BOLT, SPLIT WHEEL	4	4	4	4	4	4	
19	05192	90353-250-000	NUT, SELF LOCK, 12MM	1	1	-	-	-	-	F 250A-100001 TO 250A-108295
	18158	90353-045-000	NUT, SELF LOCK, 12MM	-	1	1	1	1	1	F 250A-108296 TO
20	09483	90525-001-000	WASHER, BRAKE ARM	2	2	2	2	2	2	
21	17495	91251-045-005	OIL SEAL, 18328	1	1	1	1	1	1	
22	05432	92000-06025	BOLT, HEX., 6X25	1	1	1	-	-	-	
	05438	92000-06035	BOLT, HEX., 6X35	-	-	-	1	1	1	
23	14543	92000-08016-0A	BOLT, HEX., 8X16	4	4	4	4	4	4	
24	15606	94001-06000-0S	NUT, HEX., 6MM	3	3	3	3	3	3	
25	11468	94030-08000	NUT, HEX., 8MM	4	4	4	7	7	7	
26	05907	94101-06000	WASHER, PLAIN, 6MM	2	2	2	2	2	2	
27	20485	90529-045-671	WASHER, LOCK, 8MM (SUPERSEDED BY 90529-045-000)	1	1	1	-	-	-	
	34189	90529-045-000	WASHER, LOCK, 8MM	1	1	1	-	-	-	
	27110	94108-21000	WASHER, B, TONGUED	-	-	-	1	1	1	
28	05897	94111-06000	WASHER, SPRING, 6MM	2	2	2	2	2	2	
29	05898	94111-08000	WASHER, SPRING, 8MM	8	8	8	8	8	8	
30	26888	95014-10100	ADJUSTER A, RIGHT CHAIN	2	2	2	2	2	2	
31	05321	96100-62010	BEARING BALL, RADIAL, 6201	1	1	1	1	1	1	
32	16955	96140-62010	BEARING BALL, RADIAL, 6201R	1	1	1	1	1	1	
33	15935	92000-08025-0A	BOLT, HEX., 8X25	1	1	-	-	-	-	F 250A-100001 TO 250A-237607
	20483	90170-045-000	BOLT, FINAL DRIVEN SPROCKET	-	1	1	-	-	-	F 250A-237608 TO
34	01005	45436-001-000	NUT, FRONT BRAKE ARM SETTING	1	1	1	-	-	-	
35	17540	43412-045-670	SPRING, REAR BRAKE ARM RETURN	1	1	-	-	-	-	

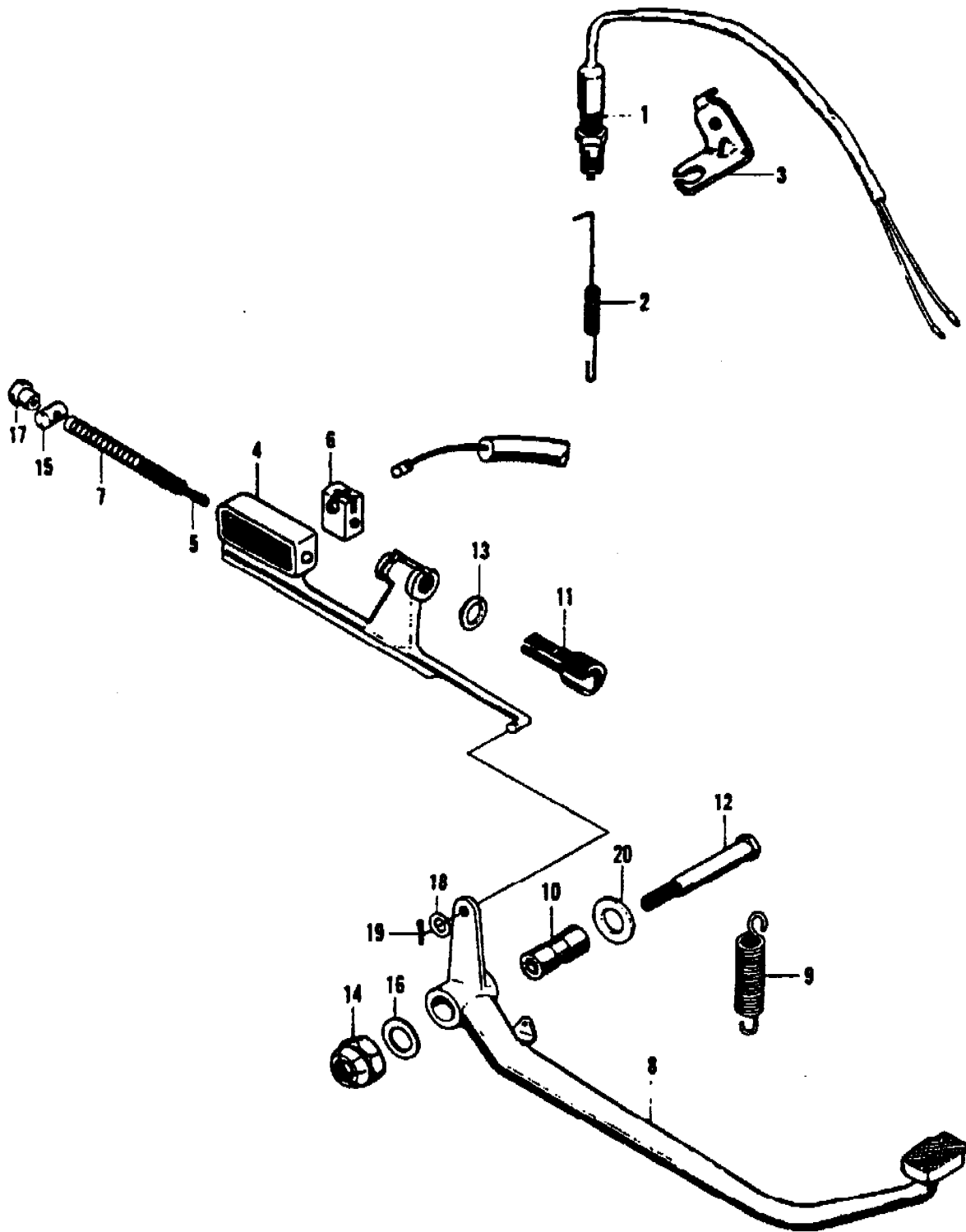
Rear Cushion



Rear Cushion

Ref. No.	H/C	Part Number	Description	750	K1	K2	K3	K4	K5	Remarks
1	27100	52400-120-000	CUSHION ASSY., REAR.....	2	2	2	2	2	2	
2	28808	52401-028-000	METAL, REAR CUSHION UPPER.....	2	2	2	2	2	2	
3	27101	52401-120-010	SPRING, REAR CUSHION.....	2	2	2	2	2	2	
4	28809	52450-120-000	DAMPER COMP., REAR.....	2	2	2	2	2	2	
5	27134	52476-028-010	GUIDE, REAR CUSHION SPRING.....	2	2	2	2	2	2	
6	18689	52475-051-000	RUBBER, REAR CUSHION STOPPER.....	2	2	2	2	2	2	
7	18690	52481-051-000	NUT, REAR CUSHION UPPER LOCK.....	2	2	2	2	2	2	
8	07199	52486-035-000	COLLAR, REAR CUSHION RUBBER.....	2	2	2	2	2	2	
9		52489-028-000	NOT AVAILABLE USE, 52489-056-000...							
	12921	52489-056-000	BUSH, REAR CUSHION RUBBER.....	4	4	4	4	4	4	
10	17215	94021-10020-05	NUT, HEX., CAP, 10MM.....	3	3	3	3	3	3	
11	05911	94101-10000	WASHER, PLAIN, 10MM.....	4	4	4	4	4	4	

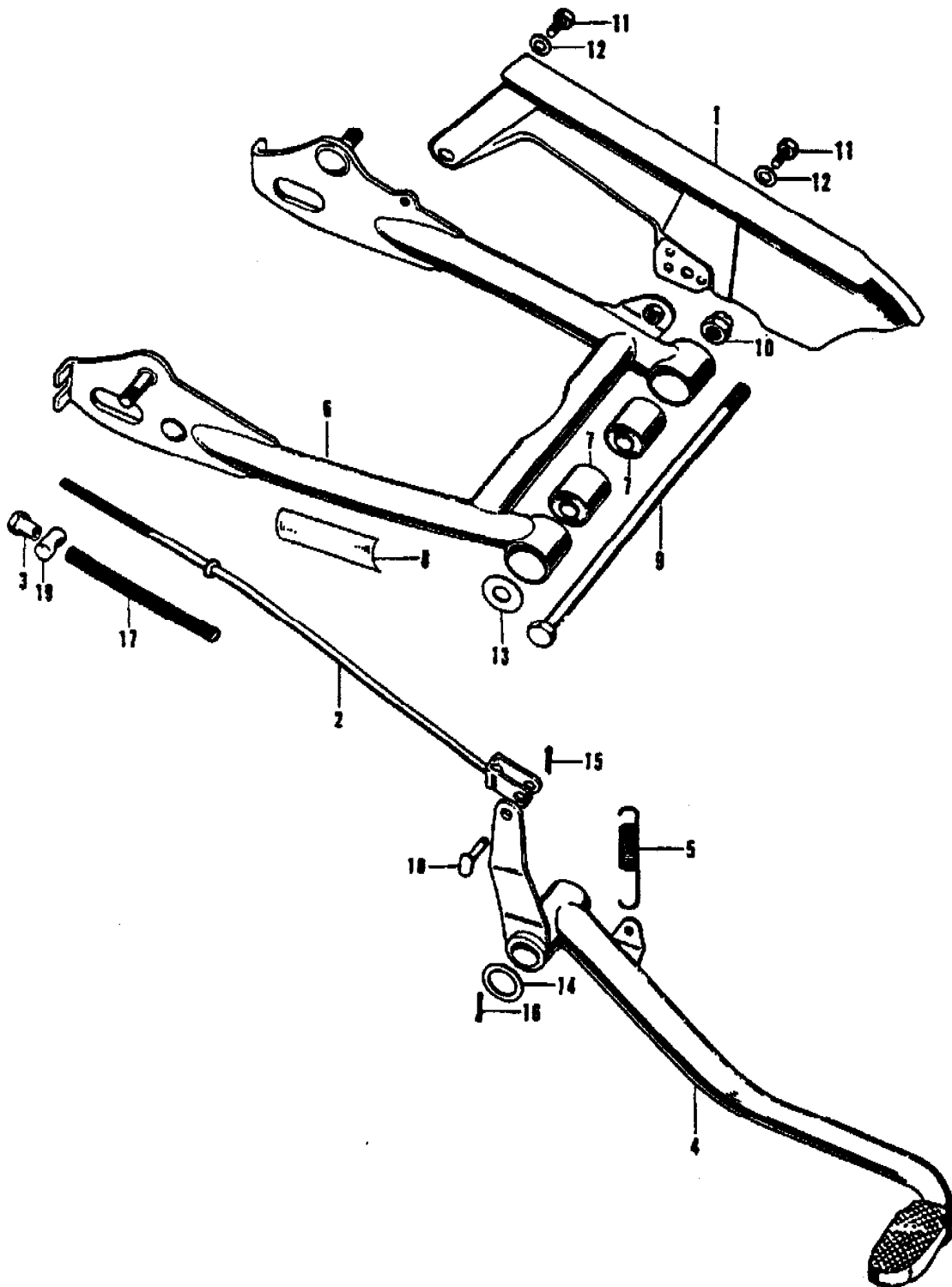
Brake Pedal



Brake Pedal

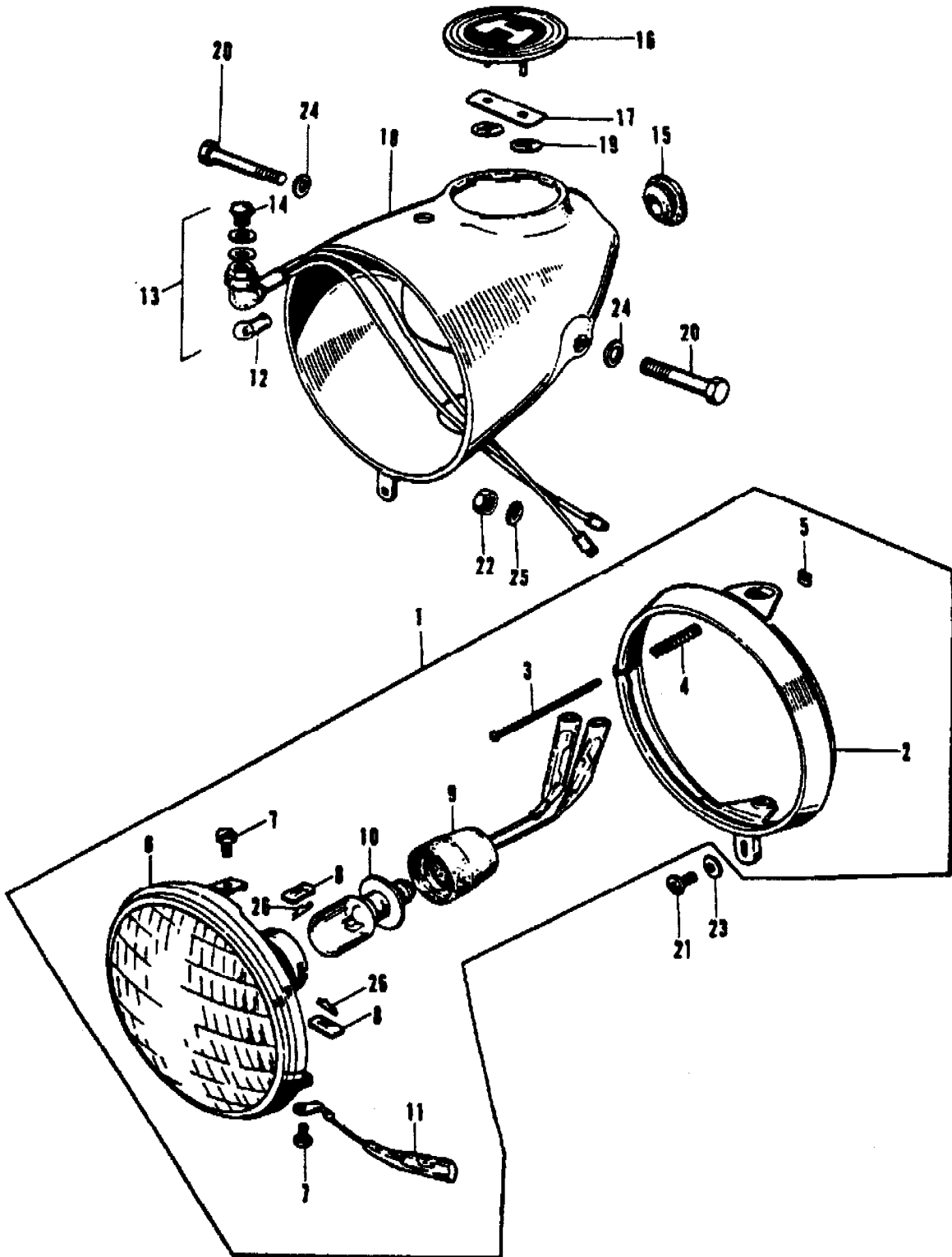
Ref. No.	H/C	Part Number	Description	Z50 K1 K2 K3 K4 K5					Remarks		
1	21883	35350-045-720	SWITCH ASSY., STOP.....	-	-	1	-	-	-	F Z50A-270236	TO
2	21884	35357-045-720	SPRING, STOP SWITCH.....	-	-	1	-	-	-	F Z50A-270236	TO
3	21885	35358-045-720	BRACKET, STOP SWITCH.....	-	-	1	-	-	-	F Z50A-270236	TO
4	21886	43451-045-671	ROD A, COMP., REAR BRAKE.....	-	-	1	-	-	-	F Z50A-270236	TO
5	21887	43452-045-671	ROD B, REAR BRAKE.....	-	-	1	-	-	-	F Z50A-270236	TO
6	21888	43473-045-670	JOINT, REAR BRAKE ROD.....	-	-	1	-	-	-	F Z50A-270236	TO
7	25771	95014-73300	SPRING, REAR BRAKE ROD.....	-	-	1	-	-	-	F Z50A-270236	TO
8	21890	46500-045-671	PEDAL, BRAKE.....	-	-	1	-	-	-	F Z50A-270236	TO
9	21891	46514-045-720	SPRING, BRAKE PEDAL.....	-	-	1	-	-	-	F Z50A-270236	TO
10	21106	46506-045-720	COLLAR, BRAKE PEDAL PIVOT.....	-	-	1	-	-	-	F Z50A-270236	TO
11	04725	53192-268-000	BOLT, CLUTCH WIRE ADJ.....	-	-	1	-	-	-	F Z50A-270236	TO
12	21866	90128-045-720	BOLT, REAR BRAKE PIVOT.....	-	-	1	-	-	-	F Z50A-270236	TO
13	05190	90321-268-000	NUT, FIXING..... (SUPERSEDED BY 90321-315-670)	-	-	1	-	-	-	F Z50A-270236	TO
	24127	90321-315-670	NUT, FIXING.....	-	-	1	-	-	-		
14	18158	90353-045-000	NUT, SELF LOCKING, 12MM.....	-	-	1	-	-	-	F Z50A-270236	TO
15	27106	95015-31000	JOINT, REAR BRAKE ARM.....	-	-	1	-	-	-	F Z50A-270236	TO
16	05913	94101-12000	WASHER, FLAT, 12MM.....	-	-	1	-	-	-	F Z50A-270236	TO
17	30149	95015-41000	NUT, REAR BRAKE ADJ.....	-	-	1	-	-	-	F Z50A-270236	TO
18	05907	94101-06000	WASHER, 6MM.....	-	-	1	-	-	-		
19	21927	94201-20180	PIN, COTTER, 2.OX18..... (SUPERSEDED BY 94201-20350)	-	-	1	-	-	-		
	05838	94201-20350	PIN, COTTER, 2.OX18.....	-	-	1	-	-	-		
20	05207	90526-268-000	WASHER, REAR FORK PIVOT BOLT.....	-	-	1	-	-	-	F Z50A-270236	TO

Chain Case · Rear Brake · Rear Fork



Ref. No.	H/C	Part Number	Description	250	K1	K2	K3	K4	K5	Remarks
1	18234	40510-045-67DXV	CASE, DRIVE CHAIN *CHROME*.....	1	1	1	-	-	-	
	27179	40510-120-000XW	CASE, DRIVE CHAIN *CHROME*.....	-	-	-	1	1	1	
	30224	40510-130-670B	CASE, DRIVE CHAIN *BLACK*.....	-	-	-	1	1	1	
2	28805	43451-120-010	ROD, REAR BRAKE.....	-	-	-	1	1	1	
1	11883	45462-028-000	NUT, FRONT BRAKE ADJUSTING..... (SUPERSEDED BY 95015-41000)	-	-	-	1	1	1	
	30149	95015-41000	NUT, FRONT BRAKE ADJUSTING.....	-	-	-	1	1	1	
4	27094	46500-120-000	PEDAL, REAR BRAKE.....	-	-	-	1	1	1	
5	01512	46514-028-000	SPRING, BRAKE.....	-	-	-	1	1	1	
6	27141	52100-120-020B	FORK COMP., REAR *BLACK*.....	1	1	1	1	1	1	
7	27099	52108-081-000	BUSH, REAR FORK PIVOT RUBBER.....	2	2	2	2	2	2	
8	21598	87506-045-000	LABEL C, CAUTION.....	1	1	1	1	1	1	
9	16915	90121-063-000	BOLT, REAR FORK PIVOT.....	1	1	1	1	1	1	
10	05194	90351-268-000	NUT, SELF LOCK, 8MM.....	1	1	1	1	1	1	
11	05419	92000-06012	BOLT, HEX., 6X12.....	2	2	2	2	2	2	
12	05907	94101-06000	WASHER, PLAIN, 6MM.....	2	2	2	2	2	2	
13	05911	94101-10000	WASHER, PLAIN, 10MM.....	1	1	1	1	1	1	
14	22838	94102-14000	WASHER, PLAIN, 14MM.....	-	-	-	1	1	1	
15	25173	94201-16120	PIN, SPLIT, 1.6X12.....	-	-	-	1	1	1	
16	05845	94201-30450	PIN, SPLIT, 3.0.....	-	-	-	1	1	1	
17	27105	95014-73100	SPRING A, REAR BRAKE ROD.....	1	1	1	1	1	1	
18	25777	95015-52000	JOINT B, JOINT.....	-	-	-	1	1	1	
19	27106	95015-31000	JOINT A, BRAKE ARM.....	-	-	-	1	1	1	
20	05742	93500-06012	SCREW, PAN, 6X12MM.....	1	1	1	-	-	-	NOT ILLUSTRATED
21	05738	93500-06008	SCREW, PAN, 6X8.....	1	1	1	-	-	-	NOT ILLUSTRATED
22	30225	87507-130-670	MARK, TIRE CAUTION.....	-	-	-	-	1	-	NOT ILLUSTRATED
	35111	87507-130-000	MARK, TIRE CAUTION.....	-	-	-	-	-	1	NOT ILLUSTRATED

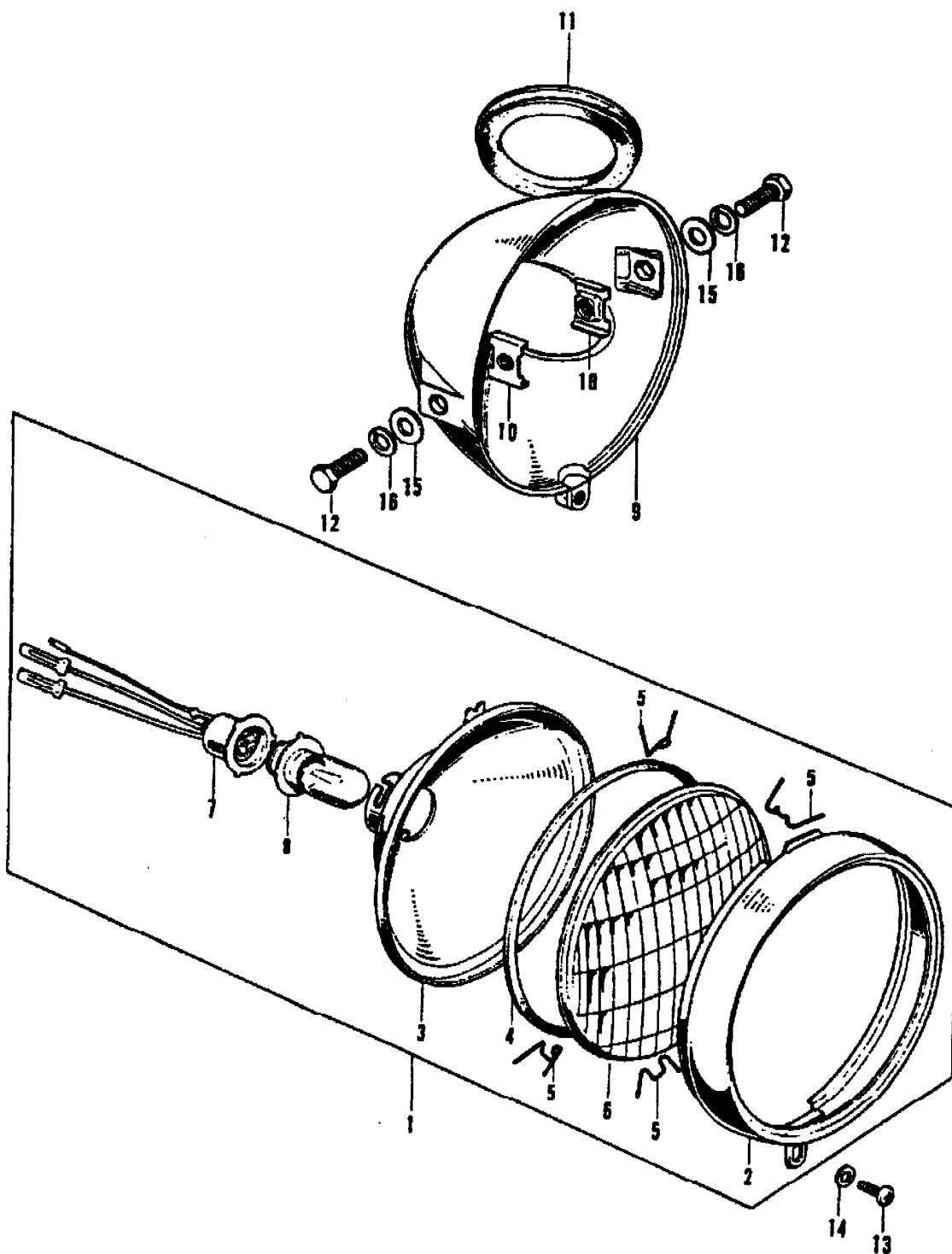
Head Light



Head Light . head Light Case

Ref. No.	H/C	Part Number	Description	250 K1 K2 K3 K4 K5					Remarks			
1	18223	33100-063-670	LIGHT ASSY., HEAD.....	-	1	1	-	-	-	F	Z50A-120088	TO
2	18224	33101-063-670	RIM, HEADLIGHT.....	-	1	1	-	-	-	F	Z50A-120088	TO
3	20151	33102-041-670	SCREW, BEAM ADJUSTING.....	-	1	1	-	-	-	F	Z50A-120088	TO
4	00765	33107-001-020	SPRING, BEAM ADJUSTING.....	-	1	1	-	-	-	F	Z50A-120088	TO
5	18011	33117-092-671	NUT, BEAM ADJUSTING.....	-	1	1	-	-	-	F	Z50A-120088	TO
6	18225	33120-063-670	UNIT, HEADLIGHT.....	-	1	1	-	-	-	F	Z50A-120088	TO
7	14642	33125-292-670	SCREW, UNIT HOLDER.....	-	2	2	-	-	-	F	Z50A-120088	TO
8	18226	33128-292-670	NUT, UNIT HOLDER.....	-	2	2	-	-	-	F	Z50A-120088	TO
9	18227	33130-063-670	SOCKET, HEADLIGHT.....	-	1	1	-	-	-	F	Z50A-120088	TO
10	08538	34901-001-671	BULB, HEADLIGHT 6V-15/15W.....	-	1	1	-	-	-	F	Z50A-120088	TO
11	18228	34902-044-670	GROUND, HEADLIGHT.....	-	1	1	-	-	-	F	Z50A-120088	TO
12	14892	34908-230-000	BULB, 6V/1.5W.....	-	1	1	-	-	-	F	Z50A-120088	TO
13	18483	37550-063-670	LAMP ASSY., BEAM PILOT.....	-	1	1	-	-	-	F	Z50A-120088	TO
14	13276	37551-044-670	LENS, BEAM PILOT.....	-	1	1	-	-	-	F	Z50A-120088	TO
15	18229	61303-045-670	PLUG, USELESS HOLE.....	-	1	1	-	-	-	F	Z50A-120088	TO
16	18230	61402-045-670	EMBLEM, LIGHT CASE.....	-	1	-	-	-	-	F	Z50A-120088	TO Z50A-270235
	21878	61402-045-671	EMBLEM, LIGHT CASE.....	-	-	1	-	-	-	F	Z50A-270236	TO
17	18231	61403-045-670	PLATE, EMBLEM SETTING.....	-	1	1	-	-	-	F	Z50A-120088	TO
18	18232	61301-063-670Z	CASE, HEADLIGHT.....	-	1	1	-	-	-	F	Z50A-120088	TO
19	18233	90315-504-000	NUT, 3MM.....	-	1	1	-	-	-	F	Z50A-120088	TO
20	05438	92000-06035	BOLT, HEX., 6X35.....	-	2	2	-	-	-			
21	17356	93500-05012-0A	SCREW, PAN, 5X12.....	-	1	1	-	-	-			
22	15606	94001-06000-0S	NUT, HEX., 6MM.....	-	2	2	-	-	-			
23	05905	94101-05000	WASHER, PLAIN, 5MM.....	-	1	1	-	-	-			
24	05907	94101-06000	WASHER, PLAIN, 6MM.....	-	2	2	-	-	-			
25	05897	94111-06000	WASHER, SPRING, 6MM.....	-	2	2	-	-	-			
26	11930	94251-05000	PIN, LOCK, 5MM.....	-	2	2	-	-	-			

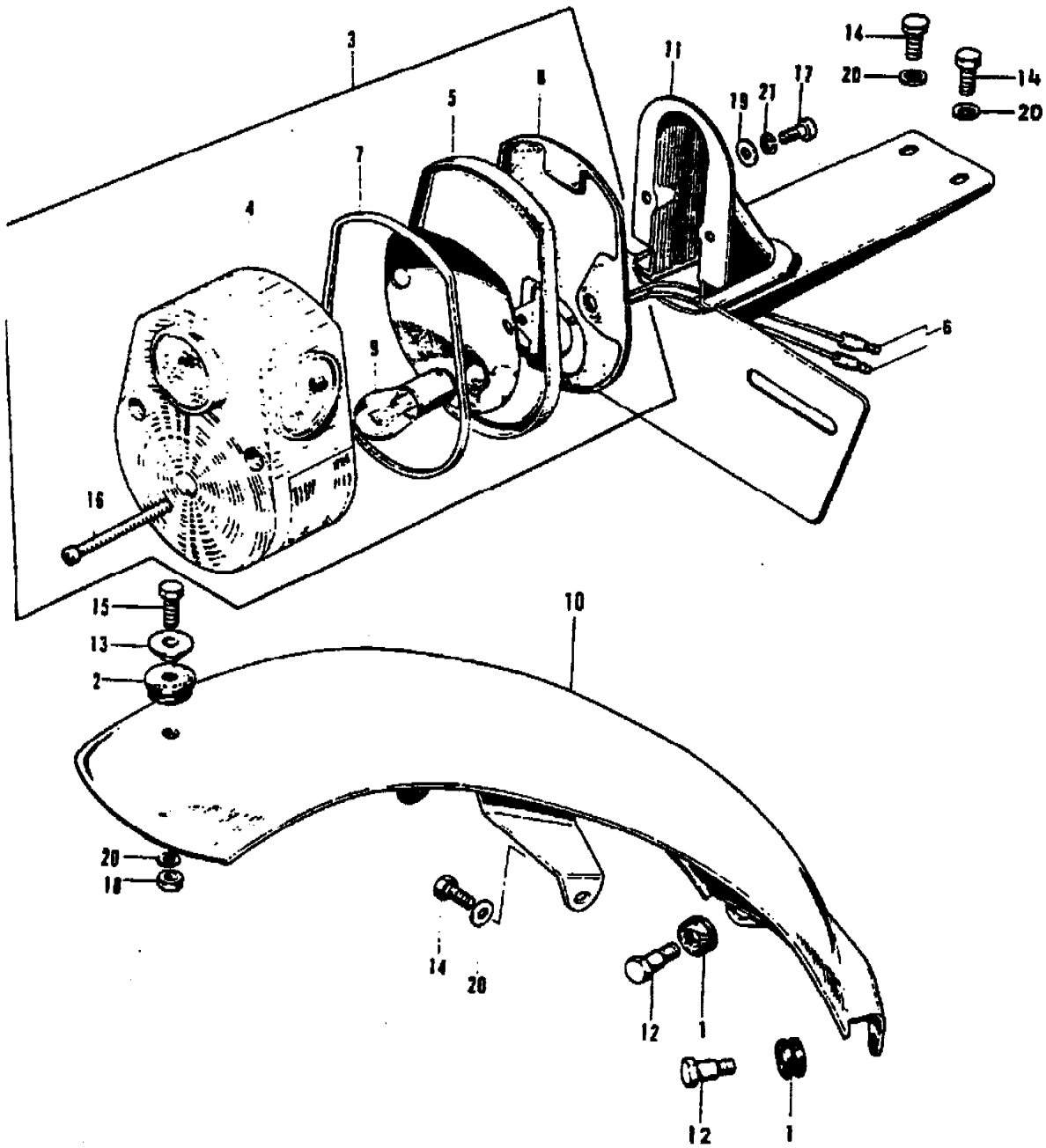
Head Light • Head Light Case



Head Light . Head Light Case

Ref. No.	W/C	Part Number	Description	Z50	K1	K2	K3	K4	K5	Remarks
1	28791	33100-051-690	LIGHT ASSY., HEAD.....	-	-	-	1	1	1	
2	28792	33101-028-013	RIM, HEADLIGHT.....	-	-	-	1	1	1	
3	28793	33104-028-003	REFLECTOR, HEADLIGHT.....	-	-	-	1	1	1	
4	28794	33105-028-003	PACKING, HEADLIGHT LENS.....	-	-	-	1	1	1	
5	28795	33108-028-013	SPRING, UNIT HOLDER.....	-	-	-	4	4	4	
6	28796	33121-028-013	LENS, HEADLIGHT.....	-	-	-	1	1	1	
7	28797	33130-051-690	SOCKET, HEADLIGHT.....	-	-	-	1	1	1	
8	08538	34901-001-671	BULB, HEADLIGHT #6V-15/15W.....	-	-	-	1	1	1	
9	27128	61301-115-0008	CASE, HEADLIGHT #BLACK.....	-	-	-	1	1	1	
10	21570	61303-105-000	NUT , HEADLIGHT CASE.....	-	-	-	2	2	2	
11	27122	61304-115-000	GROMMET, HEADLIGHT.....	-	-	-	1	1	1	
12	20633	92000-08020-08	BOLT, HEX. , BX20.....	-	-	-	2	2	2	
13	17356	93500-05012-0A	SCREW, PAN, 5X12.....	-	-	-	1	1	1	
14	05905	94101-05000	WASHER, PLAIN, 5MM.....	-	-	-	1	1	1	
15	05909	94101-08000	WASHER, PLAIN, 8MM.....	-	-	-	2	2	2	
16	05898	94111-08000	WASHER, SPRING, 8MM.....	-	-	-	2	2	2	

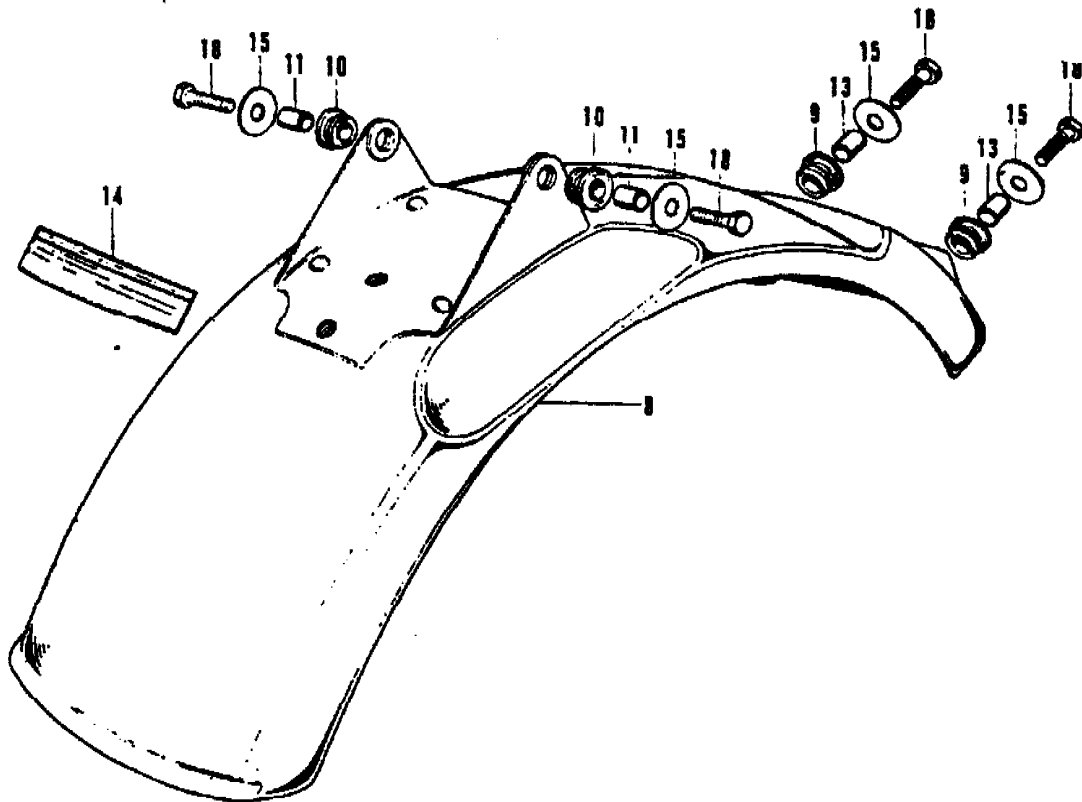
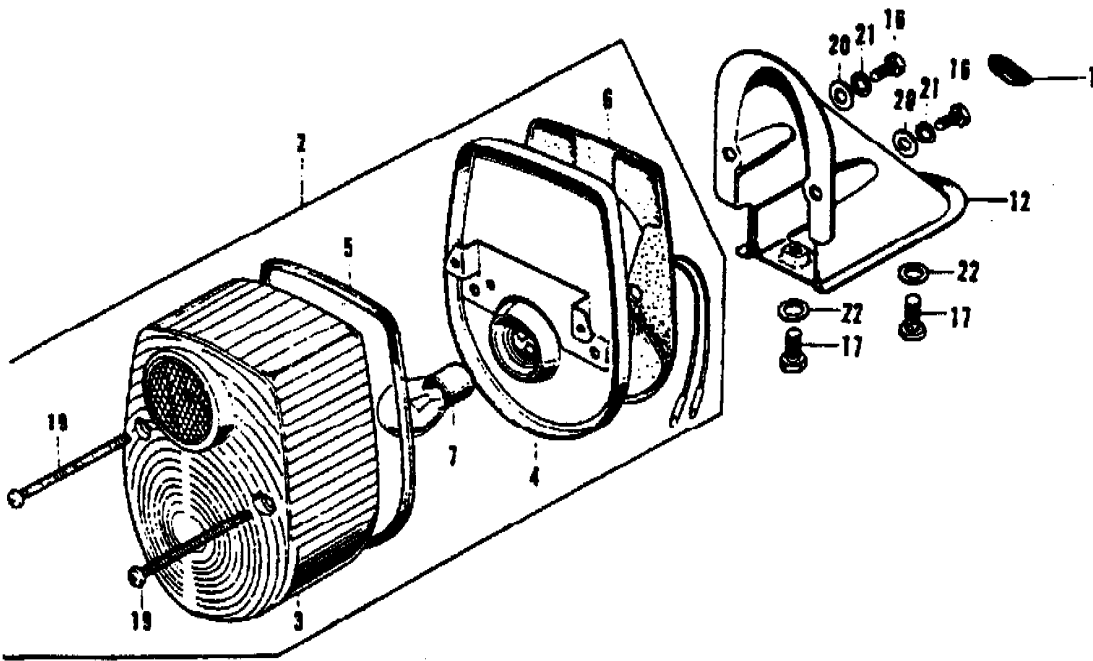
Tail Light . Rear Fender



Tail Light . Rear Fender

Ref. No.	H/C	Part Number	Description	Z50	K1	K2	K3	K4	K5	Remarks
1	17475	31403-071-000	RUBBER, REGULATOR CUSHION.....	-	2	2	-	-	F	Z50A-103193 TO
2	00873	32983-011-000	GROMMET, WIRE CORD.....	-	1	1	-	-	F	Z50A-120088 TO
3	18237	33701-074-670	UNIT, TAILLIGHT.....	-	1	1	-	-	F	Z50A-120088 TO
4	18238	33702-074-671	LENS, TAILLIGHT.....	-	1	1	-	-	F	Z50A-120088 TO
5	18239	33703-074-671	BASE, TAILLIGHT.....	-	1	1	-	-	F	Z50A-120088 TO
6	17866	33708-077-671	CORD, TAILLIGHT.....	-	1	1	-	-	F	Z50A-120088 TO
7	18240	33709-074-671	PACKING, TAILLIGHT LENS.....	-	1	1	-	-	F	Z50A-120088 TO
8	18241	33719-074-670	PACKING, TAILLIGHT BASE.....	-	1	1	-	-	F	Z50A-120088 TO
9	18489	34906-041-670	BULB, STOP & TAILLIGHT *6V-17/5.3W* (SUPERSEDED BY 34906-041-671)	-	1	1	-	-	F	Z50A-120088 TO
	13023	34906-041-671	BULB, STOP & TAILLIGHT *6V-17/5.3W*	-	1	1	-	-		
10	17474	80100-045-671AU	FENDER, REAR *SILVER*.....	1	1	-	-	-	F	Z50A-100001 TO Z50A-120087
	18247	80100-045-672XW	FENDER, REAR *CHROME*.....	-	1	-	-	-	F	Z50A-120088 TO Z50A-270235
	21879	80100-045-673XW	FENDER, REAR *CHROME*.....	-	-	1	-	-	F	Z50A-270236 TO
11	18242	84700-045-670B	BRACKET, NUMBER PLATE *BLACK*.....	-	1	-	-	-	F	Z50A-120088 TO Z50A-270235
	21880	84700-045-671B	BRACKET, NUMBER PLATE *BLACK*.....	-	-	1	-	-	F	Z50A-270236 TO
12	01220	90157-001-000	BOLT, WINKER RELAY SETTING.....	-	2	2	-	-	F	Z50A-103193 TO
13	18243	90563-045-000	WASHER, NUMBER BRACKET MOUNT.....	-	1	1	-	-	F	Z50A-120088 TO
14	05419	92000-06012	BOLT, HEX., 6X12.....	4	4	4	-	-	F	Z50A-100001 TO Z50A-120087
		92000-06012-0A	NOT AVAILABLE USE, 92000-06012.....							
15	05428	92000-06020-02	BOLT, HEX., 6X20.....	1	1	1	-	-		
16	15696	93500-04045-0B	SCREW, PAN, 4X45.....	2	2	2	-	-		
17	17356	93500-05012-0A	SCREW, PAN, 5X12.....	2	2	2	-	-		
18	15606	94001-06000-0S	NUT, HEX., 6MM.....	1	1	1	-	-		
19	05905	94101-05000	WASHER, PLAIN, 5MM.....	2	2	2	-	-		
20	05907	94101-06000	WASHER, PLAIN, 6MM.....	5	5	5	-	-		
21	05896	94111-05000	WASHER, SPRING, 5MM.....	2	2	2	-	-		

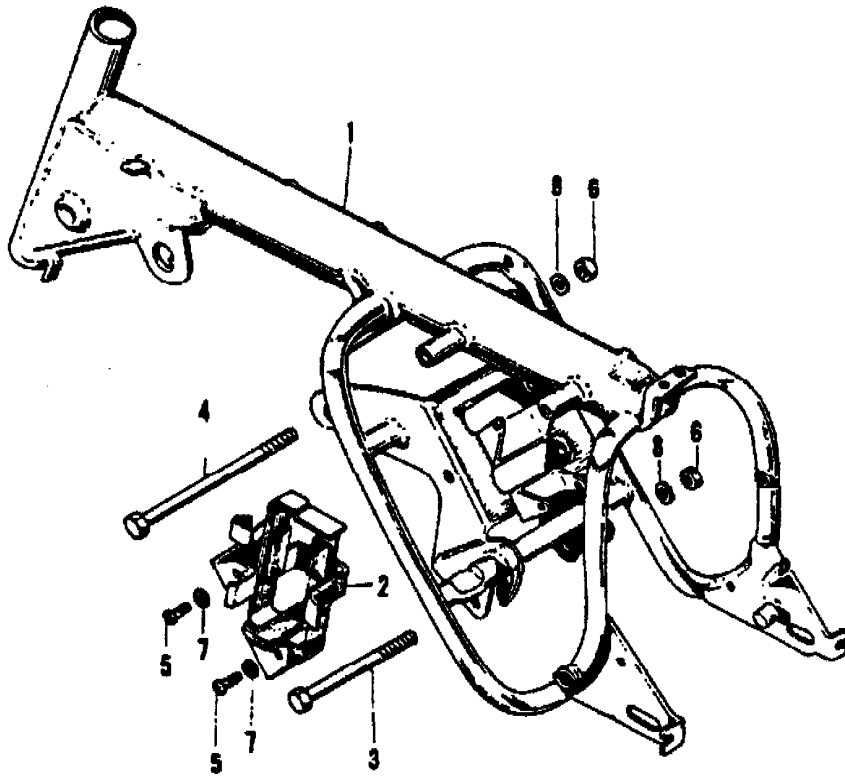
Tail Light - Rear Fender



TAIL LIGHT - REAR FENDER

Ref. No.	M/C	Part Number	Description	250	K1	K2	K3	K4	K5	Remarks
1	01880	17911-023-000	GROMMET, THROTTLE WIRE.....	-	-	-	1	1	1	
2	27176	33701-120-000	UNIT, TAILLIGHT.....	-	-	-	1	1	1	
3	28798	33702-045-690	LENS, TAILLIGHT.....	-	-	-	1	1	1	
4	18239	33703-074-671	BASE, TAILLIGHT.....	-	-	-	1	1	1	
5	18240	33709-074-671	PACKING, TAILLIGHT LENS.....	-	-	-	1	1	1	
6	18241	33719-074-670	PACKING, TAILLIGHT BASE.....	-	-	-	1	1	1	
7	13023	34906-041-671	BULB, TAIL & STOP *6V-17/5.3W*	-	-	-	1	1	1	
8	27124	80100-120-000XV	FENDER COMP., REAR *CHROME*	-	-	-	1	1	1	
9	11344	80101-310-000	RUBBER, REAR FENDER CUSHION.....	-	-	-	2	2	2	
10	18662	80105-061-000	CUSHION A, REAR FENDER.....	-	-	-	2	2	2	
11	25577	80108-061-000	COLLAR A, REAR FENDER.....	-	-	-	2	2	2	
12	27121	84701-120-670B	BRACKET, TAILLIGHT *BLACK*	-	-	-	1	1	1	
13	11345	84705-310-000	COLLAR, REAR FENDER.....	-	-	-	2	2	2	
14	27116	87507-120-000	MARK, TIRE CAUTION.....	-	-	-	1	1	1	
15	07387	90514-700-000	WASHER, TANK COLLAR LOCK.....	-	-	-	4	4	4	
16	15933	92000-05012-0B	BOLT, HEX., 5X12.....	-	-	-	2	2	2	
17	05419	92000-06012	BOLT, HEX., 6X12.....	-	-	-	2	2	2	
18	05427	92000-06020	BOLT, HEX., 6X20.....	-	-	-	4	4	4	
19	17955	93500-04050-0B	SCREW, PAN, 4X50.....	-	-	-	2	2	2	
20	05905	94101-05000	WASHER, PLAIN, 5MM.....	-	-	-	2	2	2	
21	05896	94111-05000	WASHER, SPRING, 5MM.....	-	-	-	2	2	2	
22	05907	94101-06000	WASHER, PLAIN, 6MM.....	-	-	-	2	2	2	

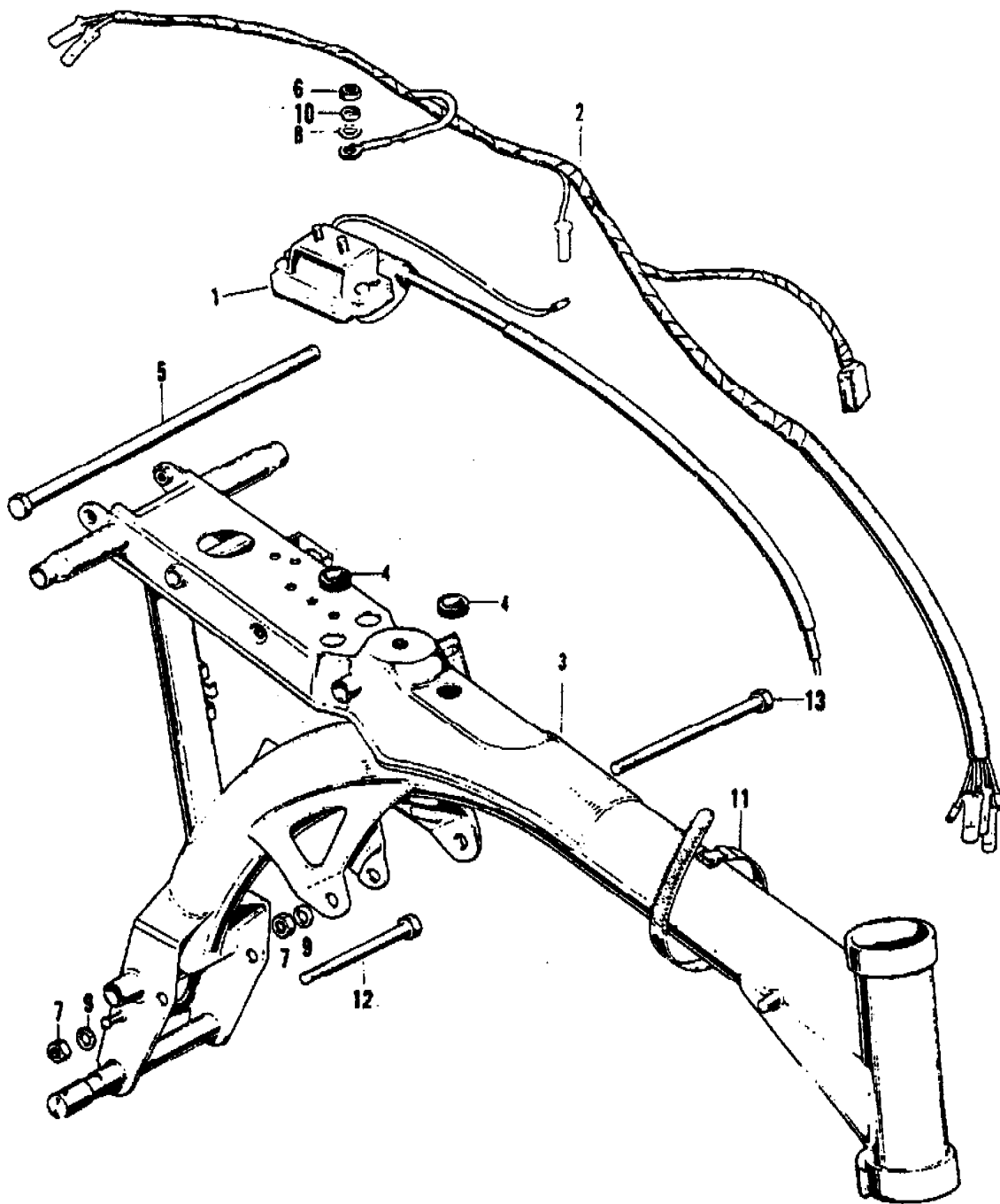
Frame Body



Frame Body

Ref. No.	H/C	Part Number	Description	250 K1 K2 K3 K4 K5						Remarks
1	20231	50100-045-6752	FRAME, BODY *PRIMER*	1	1	-	-	-	-	
	21906	50100-045-6772	FRAME, BODY *PRIMER*	-	-	1	-	-	-	
2	19759	50380-045-671B	TRAY, BATTERY	-	1	-	-	-	-	F 250A-139331 TO 250A-270235
3	12239	92000-08100	BOLT, HEX., 8X100	1	1	1	-	-	-	
4	17590	92000-08109	BOLT, HEX., 8X109	1	1	1	-	-	-	
5	14555	93500-05016-0A	SCREW, PAN, 5X16	-	1	-	-	-	-	F 250A-120088 TO 250A-128646
	19771	93500-05045-0A	SCREW, PAN, 5X45	-	1	-	-	-	-	F 250A-128647 TO
6	11468	94030-08000	NUT, HEX., 8MM	2	2	2	-	-	-	
7	05905	94101-05000	WASHER, PLAIN, 5MM	-	4	-	-	-	-	F 250A-120088 TO 250A-270235
8	05898	94111-08000	WASHER, SPRING, 8MM	2	2	2	-	-	-	

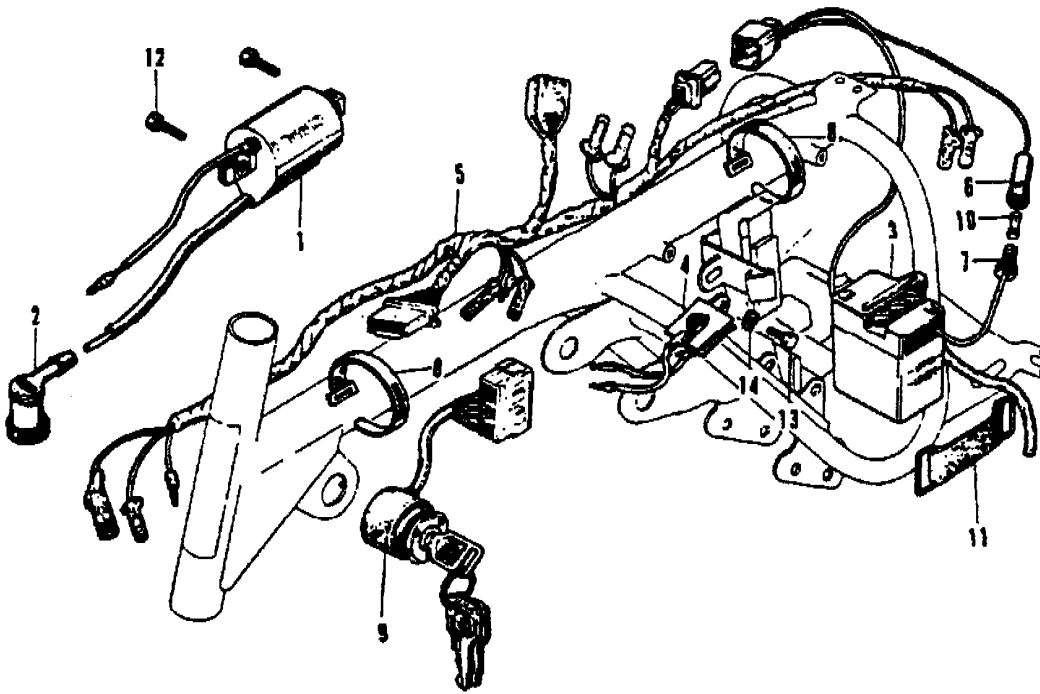
Ignition Coil · Wire Harness · Frame Body



Frame Body

Ref. No.	H/C	Part Number	Description	250	K1	K2	K3	K4	K5	Remarks
1	28044	30500-120-005	COIL ASSY., A.C. IGNITION *HITACHI*	-	-	-	1	1	1	
2	28790	32100-120-670	HARNES, WIRE.....	-	-	-	1	1	1	
3	27095	50100-120-0008	FRAME BODY COMP., *BLACK*	-	-	-	1	1	1	
4	16867	50163-063-000	GROMMET, FEED TUBE.....	-	-	-	2	2	2	
5	27107	92000-10239-08	BOLT, HEX., 10X239.....	-	-	-	1	1	1	
6	15606	94001-06000-05	NUT, HEX., 6MM.....	-	-	-	2	2	2	
7	11468	94030-08000	NUT, HEX., 8MM.....	-	-	-	2	2	2	
8	05907	94101-06000	WASHER, PLAIN, 6MM.....	-	-	-	2	2	2	
9	05898	94111-08000	WASHER, SPRING, 8MM.....	-	-	-	2	2	2	
10	05897	94111-06000	WASHER, SPRING, 6MM.....	-	-	-	1	1	1	
11		95014-62200	NOT AVAILABLE USE, 95014-62300.....							
	28814	95014-62300	BAND B3, WIRE.....	-	-	-	1	1	1	
12	28817	95300-08098	BOLT, HEX., 8X98.....	-	-	-	1	1	1	
13	21623	95300-08111	BOLT, HEX., 8X111.....	-	-	-	1	1	1	

Wire Harness . Battery



Wire harness

Ref. No.	M/C	Part Number	Description	250	K1	K2	K3	K4	K5	Remarks
1		30400-045-020	NOT AVAILABLE USE, 30400-045-035...							
	20391	30400-045-035	COIL, IGNITION.....	1	1	1	-	-	-	
2	10039	30700-259-810	CAP, NOISE SUPPRESSOR.....	1	1	1	-	-	-	
3	18218	31500-045-671	BATTERY ASSY., 6V2AH.....	-	1	-	-	-	-	F 250A-120088 TO 250A-270235
4	18219	31700-045-671	RECTIFIER ASSY., SELENIUM..... (SUPERSEDED BY 31700-098-921)	-	1	-	-	-	-	F 250A-120088 TO 250A-270235
	26788	31700-098-921	RECTIFIER ASSY., SELENIUM.....	-	1	-	-	-	-	
5	18220	32100-045-670	HARNESS, WIRE.....	-	1	-	-	-	-	F 250A-120088 TO 250A-270235
	21881	32100-045-671	HARNESS, WIRE.....	-	-	1	-	-	-	F 250A-270236 TO
6	18291	32106-041-000	CONNECTOR A, FUSE.....	-	1	-	-	-	-	F 250A-120088 TO 250A-270235
7	13403	32112-041-000	CONNECTOR B, FUSE.....	-	1	-	-	-	-	F 250A-120088 TO 250A-270235
8	00872	32161-001-000	BAND, WIRE HARNESS.....	1	1	-	-	-	-	F 250A-100001 TO 250A-120087
	00872	32161-001-000	BAND, WIRE HARNESS #QTY. CHANGE#...	-	2	2	-	-	-	F 250A-120088 TO 250A-270235
	00872	32161-001-000	BAND, WIRE HARNESS #QTY. CHANGE#...	-	-	3	-	-	-	F 250A-270236 TO
9	17554	36100-045-671	SWITCH, ASSY., STARTING.....	1	1	-	-	-	-	F 250A-100001 TO 250A-120087
	18246	35100-045-671	SWITCH ASSY., COMBINATION.....	-	1	1	-	-	-	F 250A-120088 TO 250A-270235
	21882	35100-045-601	SWITCH ASSY., COMBINATION.....	-	-	1	-	-	-	F 250A-270236 TO
10	00871	38201-001-000	FUSE, 7A..... (SUPERSEDED BY 98200-10700)	-	1	1	-	-	-	F 250A-120088 TO 250A-270235
	25066	98200-10700	FUSE, 7A.....	-	1	1	-	-	-	
11	18222	50382-045-670	BAND, BATTERY.....	-	1	1	-	-	-	F 250A-120088 TO 250A-270235
12	17589	92000-05020-0A	BOLT, HEX., 5X20.....	2	2	2	-	-	-	
13		92000-06012-0A	NOT AVAILABLE USE, 92000-06012.....							
	05419	92000-06012	BOLT, HEX., 6X12.....	-	1	1	-	-	-	
14	05907	94101-06000	WASHER, PLAIN, 6MM.....	-	1	1	-	-	-	F 250A-120088 TO 250A-270235

Special Tool

Ref. No.	H/C	Part Number	Description	250 K1 K2 K3 K4 K5					Remarks
1	17625	07980-0360100	INLET VALVE SEAT CUTTER, 90°.....	1	1	1	1	1	
2	17727	07980-0360200	EXHAUST VALVE SEAT CUTTER, 90°.....	1	1	1	1	1	
3	17626	07980-0360300	INLET VALVE FLAT SURFACE SEAT..... CUTTER	1	1	1	1	1	
4	17627	07980-0360400	EXHAUST VALVE FLAT SURFACE SEAT.... CUTTER	1	1	1	1	1	
5	17628	07980-0360500	INLET VALVE INTERIOR SEAT CUTTER...	1	1	1	1	1	
6	17629	07980-0360600	EXHAUST VALVE INTERIOR SEAT CUTTER.	1	1	1	1	1	
7	17630	07981-0360000	VALVE SEAT CUTTER HOLDER.....	1	1	1	1	1	
8	17634	07945-0450000	FRONT WHEEL OIL SEAL DRIVER.....	1	1	1	1	1	
9	17635	07947-0450000	REAR WHEEL BEARING DRIVER.....	1	1	1	1	1	
10	17316	07949-2860000	BEARING, & OIL SEAL DRIVER HANDLE..	1	1	1	1	1	
11	06075	07933-0010000	FLYWHEEL PULLER.....	1	1	1	1	1	
12	17631	07925-0010000	FLYWHEEL HOLDER.....	1	1	1	1	1	
13	06155	07902-0010000	PIN SPANNER, 36MM.....	1	1	1	1	1	
14	06109	07021-00101	TAPPET ADJUST SOCKET WRENCH.....	1	1	1	1	1	
15	17632	07916-0010000	LOCK NUT WRENCH, 14MM.....	1	1	1	1	1	
16	06114	07908-0010100	TAPPET LOCK NUT SOCKET WRENCH.....	1	1	1	1	1	
17	06058	07038-01101	CLUTCH DISASSEMBLING &..... ASSEMBLING TOOL (SUPERSEDED BY 07960-0110000)	1	1	1	1	1	
	13554	07960-0110000	CLUTCH TOOL.....	1	1	1	1	1	
18	07397	07922-0400000	DRIVER SPROCKET HOLDER.....	1	1	1	1	1	
19	08918	07047-04001	VALVE GUIDE REMOVER.....	1	1	1	1	1	
20	07396	07923-0350000	CLUTCH OUTER HOLDER.....	1	1	1	1	1	
21	06092	07915-0300000	STEM NUT SOCKET WRENCH.....	1	1	1	1	1	
22	06149	07031-20001	VALVE LIFTER..... (SUPERSEDED BY 07957-3290000)	1	1	1	1	1	
	29836	07957-3290000	VALVE LIFTER.....	1	1	1	1	1	
23	06086	07942-2160100	VALVE GUIDE DRIVER.....	1	1	1	1	1	
24	16593	07008-24001	VALVE GUIDE REAMER..... (SUPERSEDED BY 07984-2000000)	1	1	1	1	1	
	30259	07984-2000000	VALVE GUIDE REAMER.....	1	1	1	1	1	
25	06160	07902-2500000	MAIN SWITCH PIN SPANNER.....	1	1	1	1	1	
26	17633	07945-8150000	BEARING DRIVER.....	1	1	1	1	1	
27	06165	07784-99908	UNIVERSAL BEARING PULLER.....	1	1	1	1	1	

PART NUMBER INDEX

<u>N/C</u>	<u>Part Number</u>	<u>Page</u>	<u>N/C</u>	<u>Part Number</u>	<u>Page</u>	<u>N/C</u>	<u>Part Number</u>	<u>Page</u>	<u>N/C</u>	<u>Part Number</u>	<u>Page</u>
20136	11100-045-010	25	27694	14401-035-005	11	26812	15650-098-730	13	22800	16139-045-014	27.
18563	11191-035-050	25	06989	14431-035-000	7	17431	15761-045-000	25	35		
20137	11191-045-000	25	06990	14491-035-000	7	30923	16010-045-670	35		16141-045-670	27
20138	11200-045-050	25	17423	14500-035-010	11	30491	16010-114-004	37	20797	16142-049-004	27.
27434	11200-120-000	25		14502-035-010	11	30492	16011-045-004	35.	35		
17403	11330-045-010	13	27067	14502-086-000	11	37			17618	16143-050-004	27.
20131	11341-045-030	9	06985	14531-035-000	11	30966	16012-045-670	35	35		
27161	11341-120-010	9	17425	14541-035-010	11	30984	16012-120-004	37		16151-045-670	27
06953	11394-035-000	13	27068	14541-086-010	11	31009	16013-045-004	35		16151-063-690	31
14222	11394-035-010	13	27069	14542-086-000	11	30494	16013-114-004	37	17620	16156-001-004	27
17405	11926-020-000	19	27070	14550-086-010	11	31025	16014-045-004	35		16156-063-004	31
11799	12021-035-811	5	17426	14551-035-020	11	30495	16014-120-004	37		16157-044-004	31
11800	12023-051-310	5	27071	14561-086-010	11	31045	16015-045-670	35	13678	16157-259-004	27
33523	12023-051-320	5	27072	14562-086-000	11	30496	16015-114-004	37		16161-114-004	31
17406	12101-041-030	5	06986	14566-035-000	11	31072	16016-045-014	35		16162-044-004	31
18502	12191-035-020	5	27073	14566-086-030	11	30497	16016-045-610	37		16162-045-004	27
17408	12200-041-020	5	12005	14591-028-000	11	31097	16022-045-600	35		16162-049-004	27
33198	12200-041-030	5		14610-035-010	11	31108	16022-120-004	37		16163-049-004	27
30533	12251-065-740	5	27088	14610-086-000	11	31109	16022-120-305	37		16163-063-004	31
06959	12301-035-000	3	06981	14615-035-000	11	17607	16100-045-670	27.		16163-076-004	27
06960	12331-035-000	3	11672	14670-035-030	11	35				16164-045-004	27
06961	12341-035-000	3	17427	14675-035-060	11	25882	16100-045-671	27.		16164-045-014	27.
18887	12361-300-000	3	17428	14711-036-000	7	35			31		
06966	12391-035-000	3	17429	14721-036-000	7	27435	16100-120-010	31.	28781	16164-120-004	31
06967	12394-035-000	3	11598	14730-028-000	7	37			23214	16167-114-004	31
06968	12395-035-000	3	24109	14730-028-013	7	27732	16107-120-004	31		16171-044-004	31
17410	13000-041-030	17	11599	14731-028-000	7		16111-120-004	31		16171-049-004	27
17411	13010-036-000	17	08303	14751-035-600	7		16111-120-305	31		16172-049-004	27
17412	13020-036-000	17	06994	14761-035-000	7		16118-045-004	27.	17596	16173-023-004	27
17413	13030-036-000	17	08304	14771-035-600	7	31				16173-063-004	31
17414	13040-036-000	17	11597	14776-028-000	7	25124	16118-045-770	29.		16174-049-004	27.
17415	13050-036-000	17	00189	14781-001-010	7	31, 35, 37			31		
17416	13101-036-010	17	11798	15119-035-020	25		16119-045-004	27	15600	16176-551-004	31
17417	13102-036-010	17	13149	15300-035-000	25	17610	16122-049-004	27	17598	16178-049-004	27.
17418	13103-036-010	17	18153	15311-035-013	25	17611	16123-049-004	27.	35		
17419	13104-036-010	17	13151	15321-035-000	25	35			17599	16179-049-004	27.
17420	13105-036-010	17	13152	15329-035-000	25		16125-045-004	27.	35		
17421	13111-036-000	17	13153	15331-035-000	25	31			07925	16181-001-004	29.
00147	13115-001-000	17	13154	15332-035-000	25		16126-011-004	27	31		
18148	14101-041-020	7	13155	15382-035-000	25		16126-063-004	31	07923	16181-250-004	31
06976	14311-035-000	17	13156	15383-035-000	25		16133-045-004	27		16185-044-004	31
14208	14321-035-010	11	07002	15421-035-010	25	17615	16135-045-004	27.		16185-045-004	29
06975	14401-035-000	11	17430	15650-051-690	13	35				16187-045-004	29

PART NUMBER INDEX

<u>C</u>	<u>Part Number</u>	<u>Page</u>	<u>N/C</u>	<u>Part Number</u>	<u>Page</u>	<u>N/C</u>	<u>Part Number</u>	<u>Page</u>	<u>N/C</u>	<u>Part Number</u>	<u>Page</u>
	16188-049-004	29,	27158	17211-120-000	61	17451	18233-040-010	63,	08783	22825-046-000	13
			17438	17213-045-670	61	65			17473	22830-041-000	13
503	16192-045-004	29,	17439	17221-045-670	61	17452	18240-045-030	63	17476	22846-040-010	13
			27159	17221-120-010	61	21907	18240-045-670	63	14153	22860-041-000	13
333	16192-050-014	29,	31330	17222-120-020	61	27146	18240-120-000	65	00334	22901-001-000	15
			27160	17225-120-000	61	17453	18241-045-000	63	17457	22901-040-000	15
	16194-045-004	29,	17440	17231-045-670	61	00636	18291-001-010	63,	07048	22911-035-010	15
			27153	17231-120-020	61	65			18521	23110-087-000	15
305	16197-049-004	29,	27194	17240-120-010	61		18292-290-000	63,	17478	23112-041-010	15
			27155	17241-120-010	61	65			20129	23112-041-030	15
	16197-063-004	31	27149	17253-120-010	61	29306	18292-329-000	63,	20388	23112-041-040	15
06	16198-045-004	29	17441	17255-045-670	61	65			17479	23120-036-010	15
	16199-063-004	31	11476	17255-098-000	61	27147	18300-120-670CT	65	20389	23120-041-000	15
32	16201-045-000	3	18245	17500-045-670BK	51	17454	18310-045-671	63	17480	23211-041-020	21
82	16202-045-720	61	18289	17500-045-670BZ	51	18207	18314-045-670	63	17481	23221-041-040	21
33	16211-045-010	3	18290	17500-045-670CJ	51	27148	18314-120-000	65	17482	23421-076-000	21
34	16235-045-000	25	22322	17500-045-671CR	51	20805	18320-045-671	63	17483	23431-041-040	21
27	16236-045-010	25	22323	17500-045-671CU	51	27156	18353-120-000CT	65	17484	23441-041-060	21
74	16950-045-005	51,	22324	17500-045-671DQ	51	17458	18360-045-670Z	63	17485	23471-041-040	21
			30534	17500-120-305HX	55	17812	18360-045-671Z	63	17486	23481-041-020	21
75	16952-081-005	51,	30535	17500-120-305LX	55	27180	18360-120-000XV	65	17487	23800-045-000	21
			30536	17500-130-305MK	55	27181	18361-120-000	65	18057	23800-045-670	21
42	16953-044-004	51	30537	17500-130-305NC	55	17459	18371-045-000	63	18194	23800-045-671	21
76	16953-081-005	51,	34815	17500-130-405CN	55	17460	18391-045-000	63	17488	23802-041-000	21
			34816	17500-130-405DQ	55	28783	18450-120-000	65	18058	23802-065-305	21
77	16954-045-005	51,	17444	17611-045-020	51	18150	22101-040-030	15	17489	23911-041-010	21
			20230	17611-045-670	51,	17462	22111-040-000	15		24211-041-000	19
3	16955-268-020	51,	55			17463	22119-040-000	15	29747	24211-087-303	19
			17445	17613-045-000	51	17464	22120-040-010	15	17563	24221-041-000	19
6	16955-028-004	51,	27152	17613-120-000	55	20173	22120-040-020	15	11696	24261-028-010	19
			17446	17620-045-010	51	20386	22120-040-030	15	01426	24263-028-000	19
3	16958-044-004	51	21901	17620-045-670	51,	12375	22131-035-020	15	17564	24301-045-670	19
8	16958-081-015	51,	55			17465	22201-040-000	15	17565	24411-041-020	19
			00625	17631-001-000	51,	17295	22310-041-010	15	17566	24421-041-000	19
4	16960-044-004	51	55			17466	22321-041-000	15	17567	24430-041-000	19
5	16962-044-004	51	17447	17631-045-000	51	17467	22331-041-000	15	11635	24435-040-000	19
9	16962-081-005	51,	17448	17670-045-670	51	18151	22351-040-070	15	17568	24610-040-020	19
			20400	17910-045-671	39	20387	22351-040-080	15	26795	24610-098-730	19
5	16963-044-004	51	27145	17910-120-000	43	17469	22401-040-010	15	17569	24630-040-040	19
7	16967-044-004	51	01880	17911-023-000	39,	17470	22411-041-000	15	27076	24630-086-000	19
5	17111-045-040	3	43, 83			17472	22811-040-020	13	13274	24641-041-000	19
3	17111-045-720	3	34175	18231-040-000	63	08782	22820-046-000	13	17570	24651-041-000	15
7	17211-045-670	61	17450	18231-041-300	63	23505	22820-918-000	13	07069	24652-035-000	15

PART NUMBER INDEX

<u>H/C</u>	<u>Part Number</u>	<u>Page</u>	<u>H/C</u>	<u>Part Number</u>	<u>Page</u>	<u>H/C</u>	<u>Part Number</u>	<u>Page</u>	<u>H/C</u>	<u>Part Number</u>	<u>Page</u>
20150	24700-098-670	19	26788	31700-098-921	89	18228	34902-044-670	77	17534	42601-045-671	67
28784	24700-120-000	19	18220	32100-045-670	89	18489	34906-041-670	81	27166	42601-120-000	67
17573	25551-040-007	13	21881	32100-045-671	89	13023	34906-041-671	81	17535	42620-045-020	67
23430	25551-918-000	13	28790	32100-120-670	87	83			21876	42701-045-6705	49.
17572	25555-065-000	13	18291	32106-041-000	89	14892	34908-230-000	77	67		
17574	28211-040-035	23	13403	32112-041-000	89	21882	35100-045-601	89	17536	42701-045-670AU	49.
17575	28223-035-035	23	00872	32161-001-000	89	18246	35100-045-671	89	67		
17576	28251-035-065	23	07023	32971-035-000	9	18214	35250-045-671	39	21877	42702-045-6705	49.
17577	28262-035-020	23	17553	32971-045-670	9	28799	35250-120-671	43	67		
17578	28281-035-010	23	07024	32981-035-000	9	27178	35300-120-673	43	17537	42702-045-670AU	49.
09542	28300-033-000	23	00873	32983-011-000	81	04530	35316-259-300	39	67		
27182	28300-120-000	23	28791	33100-051-690	79	21883	35350-045-720	73		43100-120-000	49.
27183	28301-120-000	23	18223	33100-063-670	77	21884	35357-045-720	73	67		
02646	28301-216-000	23	28792	33101-028-013	79	21885	35358-045-720	73	17538	43141-045-000	67
01835	28302-033-000	23	18224	33101-063-670	77	00248	35755-001-020	19	20000	43141-098-000	49.
00423	28303-001-000	23	20151	33102-041-670	77	17554	36100-045-671	89	67		
00425	28322-001-000	23	28793	33104-028-003	79	18483	37550-063-670	77	17539	43410-045-670	67
00424	28324-001-000	23	28794	33105-028-003	79	13276	37551-044-670	77	20001	43410-098-000	67
17579	30202-041-015	9	00765	33107-001-020	77	00871	38201-001-000	89	17540	43412-045-670	69
17546	30205-041-005	9	28795	33108-028-013	79	18234	40510-045-670XW	75		43450-045-000	39
28787	30250-035-005	9	18011	33117-092-671	77	27179	40510-120-000XW	75	25284	43450-045-010	39
17547	30250-041-005	9	18225	33120-063-670	77	30224	40510-130-670B	75	17541	43450-045-670	39
	30400-045-020	89	28796	33121-028-013	79	17555	40530-045-670	67		43450-045-672	39
20391	30400-045-035	89	14642	33125-292-670	77	18209	40530-045-671	67	25879	43450-045-673	39
28044	30500-120-005	87	18226	33128-292-670	77	19882	40530-045-811	67	21886	43451-045-671	73
18195	30540-041-005	9	28797	33130-051-690	79	18213	40530-045-820	67	28805	43451-120-010	75
17549	30540-045-670	9	18227	33130-063-670	77	28800	40530-120-003	67	21887	43452-045-671	73
21892	30540-045-672	9	18237	33701-074-670	81	17557	40531-045-010	67	21996	43458-045-670	13
10039	30700-259-810	3.	27176	33701-120-000	83	18210	40531-045-671	67	21888	43473-045-670	73
89			28798	33702-045-690	83	28801	40531-120-003	67	18157	44301-045-010	49
20390	31100-045-672	9	18238	33702-074-671	81.	28802	40531-120-005	67	17543	44311-045-670	49
21893	31100-045-673	9	83			17559	41201-045-670	67	24601	44600-045-672	49
28788	31100-120-005	9	18239	33703-074-671	81.	17808	41201-045-671	67	17545	44620-045-020	49
20357	31121-045-015	9	83			18211	41201-045-672	67	17517	44711-045-671	49.
17552	31141-045-670	9	17866	33708-077-671	81	20482	41201-045-673	67	67		
18197	31141-045-671	9	18240	33709-074-671	81.	17560	41201-045-811	67	27432	44711-120-671	49.
21894	31141-045-672	9	83			18212	41201-045-820	67	67		
28789	31141-120-005	9	18241	33719-074-670	81.	20486	41201-045-821	67	17518	44712-045-670	49.
17475	31403-071-000	81	83			28803	41201-120-000	67	67		
18218	31500-045-671	89	18216	33741-045-671	45	25037	42301-041-030	67	27093	44712-120-003	49.
21383	31631-045-671	9	18217	33744-045-670	45	18160	42301-045-010	67	69		
21895	31631-045-672	9	08538	34901-001-671	77.	17533	42311-045-000	67	27085	44712-120-006	49.
18219	31700-045-671	89	79			27165	42312-120-000	67	69		

PART NUMBER INDEX

<u>M/C</u>	<u>Part Number</u>	<u>Page</u>	<u>M/C</u>	<u>Part Number</u>	<u>Page</u>	<u>M/C</u>	<u>Part Number</u>	<u>Page</u>	<u>M/C</u>	<u>Part Number</u>	<u>Page</u>
7519	45100-045-020	49	23266	50616-312-010	59	18689	52475-051-000	71	20821	53220-045-670	45
37			12900	50617-056-670	59	27134	52476-028-010	71	18604	53220-051-690	45
0999	45120-001-010	49	29339	50617-329-000	59	18690	52481-051-000	71	27133	53230-120-000S	43
09			30219	50642-130-670	59	07199	52486-035-000	71	20971	53741-045-030	41
7520	45131-045-000	49	23267	50642-312-010	59		52489-028-000	71		53741-045-304	41
6680	45133-028-000	49	12902	50644-056-670	59	12921	52489-056-000	71	27126	53741-120-000	43
59			28201	50644-329-000	59	17502	53110-045-671	39	17509	53746-045-010	41
17521	45410-045-670	49	18205	50701-045-670	57	27135	53110-120-000	43	43		
27090	45410-120-000	49		50705-024-000	57	18201	53120-045-672	39	17510	61100-045-670AU	45
34177	45435-001-000	39		50712-024-000	57	27136	53120-120-000	43	18203	61100-045-670XW	45
03			01940	50715-024-000	57	17504	53131-045-670	39	21899	61100-045-671XW	45
31005	45436-001-000	49	16653	90531-024-000	57	27137	53131-120-000	43	27127	61100-120-000XW	45
59			17526	51400-045-670	47	30214	53131-130-670	43	18232	61301-063-670Z	77
21020	45437-001-000	39	27097	51400-120-000	47	20321	53141-098-000	39	27128	61301-115-000B	79
03			20221	51450-045-670	47	43			18229	61303-045-670	77
17522	45460-045-670	39	20222	51460-045-670	47	17505	53143-045-000	39	21570	61303-105-000	79
	45450-045-671	39	17527	51500-045-670	47	43			27122	61304-115-000	79
25275	45450-045-672	39	28806	51500-120-000	47	12718	53161-044-000	39	18230	61402-045-670	77
27091	45450-120-000	43	20223	51501-045-670	47	43			21878	61402-045-671	77
01019	45461-001-000	39	27143	51501-120-000	47	17636	53162-045-670	39	18231	61403-045-670	77
11883	45462-028-000	39	20224	51502-045-670	47		53162-098-000	39	11444	77100-045-671A	57
03, 75			27144	51503-064-010	47	26388	53162-098-010	39	27123	77100-120-000A	59
21890	45500-045-671	73	20225	51503-098-000	47	43			30220	77100-130-670A	59
27094	46500-120-000	75	20226	51504-064-020	47	12720	53163-044-000	39	17512	77135-045-671	57
21126	45506-045-720	73	27138	51504-120-000	47	43			17474	80100-045-671AU	81
01512	46514-028-000	75	20220	51505-064-010B	47	12721	53165-044-010	39	18247	80100-045-672XW	81
21891	46514-045-720	73	20227	51506-064-020	47	16908	53165-063-000XL	39	21879	80100-045-673XW	81
20231	50100-045-6752	85	17528	51510-045-670Z	45	27130	53165-120-000	43	27124	80100-120-000XW	83
21906	50100-045-677Z	85	18202	51510-045-671Z	45	12722	53166-044-010	39	11344	80101-310-000	83
27095	50100-120-000B	87	34818	51510-120-000CN	45	16909	53166-063-000XL	39	18662	80105-061-000	83
15867	50163-063-000	87	35636	51510-120-000DD	45	27131	53166-120-000	43	25577	80108-061-000	83
17206	50301-041-305	45	27139	51510-120-000HX	45	20982	53175-045-670	41	18665	80109-061-010	55
12697	50301-044-020	45	28807	51510-120-000LX	45	43			27118	83520-120-000	59
2189E	50301-045-670	45	30215	51510-120-000MK	45	16910	53175-063-000XL	39	20499	83551-300-000	61
19759	50380-045-671B	85	30216	51510-120-000MC	45	20983	53178-045-670	41	27119	83640-120-000MX	61
18222	50382-045-670	89	20228	51526-064-000	47	16878	53178-063-000XL	41	27120	83640-120-000LX	61
17524	50542-045-010	57	20116	51620-045-670	47	04725	53192-268-000	73	30221	83640-120-000MK	61
01934	50603-033-000	59	27141	52100-120-020B	75	01545	53211-028-305	45	30222	83640-120-000HC	61
17525	50610-045-670	57	27099	52108-081-000	75	17506	53211-045-010	45	24819	83640-130-305CN	61
27096	50610-120-000	59	27100	52400-120-000	71	17507	53212-045-020	45	34820	83640-130-305DD	61
30217	50610-130-670	59	28808	52401-028-000	71	00907	53214-001-010	45	18242	84700-045-670B	81
21905	50615-045-670	57	27101	52401-120-010	71	27132	53215-120-000	45	21880	84700-045-671B	81
30218	50616-130-670	59	28809	52450-120-000	71	01995	53217-030-305	45	27121	84701-120-670E	83

PART NUMBER INDEX

<u>N/C</u>	<u>Part Number</u>	<u>Page</u>	<u>N/C</u>	<u>Part Number</u>	<u>Page</u>	<u>N/C</u>	<u>Part Number</u>	<u>Page</u>	<u>N/C</u>	<u>Part Number</u>	<u>Page</u>
11345	84705-310-000	83	27112	90125-120-000	69	20485	90529-045-671	69	06155	07902-0010000	90
21902	87121-045-000	51	21866	90128-045-720	73	18243	90563-045-000	81	06160	07902-2500000	90
17513	87121-045-670	51	01220	90157-001-000	81	00370	90601-001-000	15,	06114	07908-0010100	90
17514	87122-045-670	51	20483	90170-045-000	69	21, 23			06092	07915-0300000	90
30223	87128-130-671	61	20471	90194-567-010	49,	20130	90602-041-000	15	17632	07916-0010000	90
16672	87311-516-000	53	69			09724	90605-200-000	23	07397	07922-0400000	90
21903	87504-045-010	51	00459	90206-001-000	7	13034	90704-035-000	25	07396	07923-0350000	90
24843	87504-045-0208	55	16917	90231-041-000	15	07089	90741-035-000	17	17631	07925-0010000	90
28810	87504-045-0205	55	17500	90303-045-000	45	20229	90755-064-013	47	06075	07933-0910000	90
17515	87504-045-670	51	01223	90304-011-000	45	06950	90801-035-000	19	06086	07942-2160100	90
18204	87504-045-671	51	17501	90304-045-010	45	17494	91102-041-000	15	17634	07945-0450000	90
21904	87505-045-010	51	18233	90315-504-000	77	07102	91202-035-000	9	17633	07945-8150000	90
27117	87505-045-0208	61	05190	90321-268-000	73	02706	91202-216-000	13	17635	07947-0450000	90
28811	87505-045-0205	61	24127	90321-315-670	73	00498	91203-001-000	19	17315	07945-2860000	90
	87505-045-670	63	05194	90351-268-000	75	07104	91203-035-000	21	29836	07957-3290000	90
21598	87506-045-000	63,	18158	90353-045-000	49,	17495	91251-045-005	69	13554	07960-0110000	90
75			69, 73			01249	91252-001-020	49	17625	07980-0360100	90
27116	87507-120-000	83	05192	90393-250-000	49,	06954	91301-035-000	9	17727	07980-0360200	90
30225	87507-130-670	75	69			02202	91301-216-000	11	17626	07980-0360300	90
28812	87508-120-000	61	21834	90407-231-000	25	00106	91302-001-020	3	17527	07980-0360400	90
26934	87560-323-670A	55	12405	90417-041-000	19	00320	91303-001-000	13	17628	07980-0360500	90
26935	87560-323-670B	55	07092	90426-035-000	9	06971	91303-035-000	5	17625	07980-0360600	90
20169	89216-045-010	57,	00478	90431-001-000	15	11820	91304-028-000	5	17630	07981-0360000	90
59			07095	90441-035-000	11	11802	91306-035-000	5	30259	07984-2000000	90
18156	89217-045-670	57,	07096	90442-035-000	3	12807	91311-044-000	13	17592	92000-05008-4J	63,
59			13875	90443-230-000	3	07103	91317-703-000	9	65		
02397	90012-200-000	7	00467	90451-001-000	21	22958	99101-114-0500	33	15933	92000-05012-08	83
29481	90012-333-000	7	07090	90451-035-000	21	22959	99101-114-0520	33	17589	92000-05020-0A	89
14116	90023-041-000	19	08297	90451-040-000	23	22961	99101-114-0580	33	05419	92000-06012	45,
08287	90031-035-010	25	00372	90461-001-000	21	28813	99101-114-0600	33	63, 75, 81, 83, 89		
07086	90032-035-000	25	18561	90461-035-000	21	22806	99114-076-0450	29		92000-06012-0A	63,
17498	90033-041-000	5	07093	90481-035-000	11	22807	99114-076-0480	29	81, 89		
07083	90081-035-000	11	17491	90482-035-025	23	22808	99114-076-0500	29,	05423	92000-06016	19,
27077	90081-086-000	11	08579	90483-040-000	15	35			25		
07084	90082-035-000	5	17492	90484-045-010	19	22809	99114-076-0520	29	05425	92000-06018	63
07087	90083-035-000	11	17493	90485-040-000	13	22810	99114-076-0550	29	05427	92000-06020	3,
18149	90083-035-010	11	01232	90503-011-000	45	31222	99201-114-0550	37	19, 25, 61, 83		
17499	90084-041-000	21	07387	90514-700-000	55,	16593	07008-24001	90	05428	92000-06020-02	81
16912	90101-063-000	41,	83			06149	07031-20001	90	05429	92000-06022	23
43			09483	90525-001-000	49,	06068	07038-01101	90	05432	92000-06025	3,
16914	90114-063-000	41,	69			08918	07047-04001	90	45, 55, 65		
43			05207	90526-268-000	73	06109	07081-00101	90	05434	92000-06028	49
16915	90121-063-000	75	34189	90529-045-000	69	06165	07784-99908	90	05438	92000-06035	69,

PART NUMBER INDEX

<u>M/C</u>	<u>Part Number</u>	<u>Page</u>	<u>M/C</u>	<u>Part Number</u>	<u>Page</u>	<u>M/C</u>	<u>Part Number</u>	<u>Page</u>	<u>M/C</u>	<u>Part Number</u>	<u>Page</u>
19770	92000-06112	3	05738	93500-06008	75	05909	94101-08000	57,	28814	95014-62300	43,
14543	92000-08016-0A	49,	05740	93500-06010	3,	59, 79, 87		87			
69			65			05911	94101-10000	43,		95014-72100	59
17172	92000-08020-0A	57,	05742	93500-06012	19,	45, 57, 71, 75		30195	95014-72101		59
59, 65			75			05913	94101-12000	49,	27105	95014-73100	75
20633	92000-08020-0B	79	05744	93500-06014	65	73		25771	95014-73300		73
15935	92000-08025-0A	69	05749	93500-06020	3,	22838	94102-14000	75	27106	95015-31000	39,
12239	92000-08100	85	9			27110	94108-21000	69	43, 73, 75		
25685	92000-08100-0A	59	07995	93500-06036	9	05894	94111-03000	29,	30149	95015-41000	39,
17590	92000-08109	85	05759	93500-06038	13	33, 35, 37, 41, 43		43, 73, 75			
13627	92000-08112	57	05760	93500-06038-02	13	05895	94111-04000	33,	25777	95015-52000	75
17363	92000-08112-0A	57	05764	93500-06048	25	37		25778	95015-62000		57
17587	92000-10040-0A	47	05768	93500-06060	25	05896	94111-05000	25,	33156	95015-81000	57
27107	92000-10239-0B	87	05769	93500-06065	13,	29, 35, 81, 83		25774	95015-91000		57
08390	92011-06112	3	25			05897	94111-06000	57,	27102	95300-08016	49
27108	92715-10040	43	05563	93600-05010	15	69, 77, 87		28817	95300-08098		87
05397	92800-12000	25	18152	93600-05010-0A	15	05898	94111-08000	41,	21623	95300-08111	87
11266	93000-10032-0A	47	05579	93600-06016	9,	43, 49, 57, 59, 65, 69, 79,		05315	96100-60000		15
18154	93000-10040-0A	47	19			85		05321	96100-62010		49,
16665	93500-03006-0A	31,	21625	93700-03006-0B	55	05900	94111-10000	43	69		
37, 53			17588	93700-03008-0B	53	25173	94201-16120	75	05325	96700-62030	21
05670	93500-03008	29,	05799	94001-05000	29,	05833	94201-16250	57,	05336	96100-63040	17
35			35			59		16955	96140-62010		49,
19817	93500-03008-0A	35	15688	94001-05000-0S	29,	21927	94201-20180	73	69		
18215	93500-03012-0A	41,	35, 41, 43			05838	94201-20350	73	05892	96211-06000	45
43			15606	94001-06000-0S	3,	05845	94201-30450	75	17650	98056-56711	3
15646	93500-04008-0A	61	57, 63, 65, 69, 77, 81, 87		87	11930	94251-05000	77	28030	98056-56721	3
16946	93500-04012-0A	33,	16733	94001-08000-0S	11,	06931	94301-08140	5	25066	98200-10700	89
37			57, 59			06934	94510-16000	23	17581	99124-04504	29
17368	93500-04016-0A	61	14539	94001-10000-0S	43	17594	94520-32000	49	17582	99124-04804	29
18836	93500-04025-0A	61	05788	94021-06000	3	25264	95001-35000-40	33,	17580	99124-05004	29,
15696	93500-04045-0B	81	17215	94021-10020-0S	71	35		35			
17955	93500-04050-0B	83	11468	94030-08000	13,	20098	95001-45000	53	17583	99124-05204	29
17593	93500-05004-0A	63	49, 57, 69, 85, 87			20099	95001-50000	25	17584	99124-05504	29
20984	93500-05006-0A	65	22302	94030-10000	9	25064	95002-02080	33,	17585	99153-03804	29,
05710	93500-05008	15	05904	94101-04000	61	35		35			
14554	93500-05008-0A	13,	05905	94101-05000	29,	05353	95002-45000	53	17586	99153-04004	29
63			35, 63, 65, 77, 79, 81, 83,		83,	27104	95011-24000	59			
15657	93500-05010-0A	25	85			25568	95011-31000	57			
17356	93500-05012-0A	77,	05906	94101-05200	63	25569	95011-40000	19			
79, 81			05907	94101-06000	57,	25065	95011-51000	23			
14555	93500-05016-0A	85	59, 63, 65, 69, 73, 75, 77,			26888	95014-10100	69			
15771	93500-05045-0A	85	81, 83, 87, 89				95014-62200	87			