

# **PARTS LIST**

## **FOR**

# **HONDA**

## **ST 90**

### **FOREWORD**

This Parts List contains all the spare parts for the ST90 model and is to be used when ordering spare parts.

The Parts List is bound to permit replacement of sheets. When there are any changes or additions to the Parts List, REVISION SHEETS containing these changes and additions, and SUPPLEMENT SHEET will subsequently be issued. These replacement sheets should be filed into the Parts List so that the Parts List will always be maintained current. If you are in need of any replacement sheets, please get in contact with your nearest distributor.

Refer to the "Replacement Sheet Control Procedure" on the following page for instruction to the ordering and filing of the replacement sheets.

On placing your spare parts order, please inform us the frame number for frame component parts and the engine number for engine component parts together with your order.

The reason for this is that it is necessary to verify that the part being ordered are applicable to the model series intended.

December 5, 1972

**HONDA MOTOR CO., LTD.**

### **GROUP INDEX**

**INSTRUCTION  
FOR  
USE OF PARTS LIST**

**II ~ IV**

### **ENGINE GROUP**

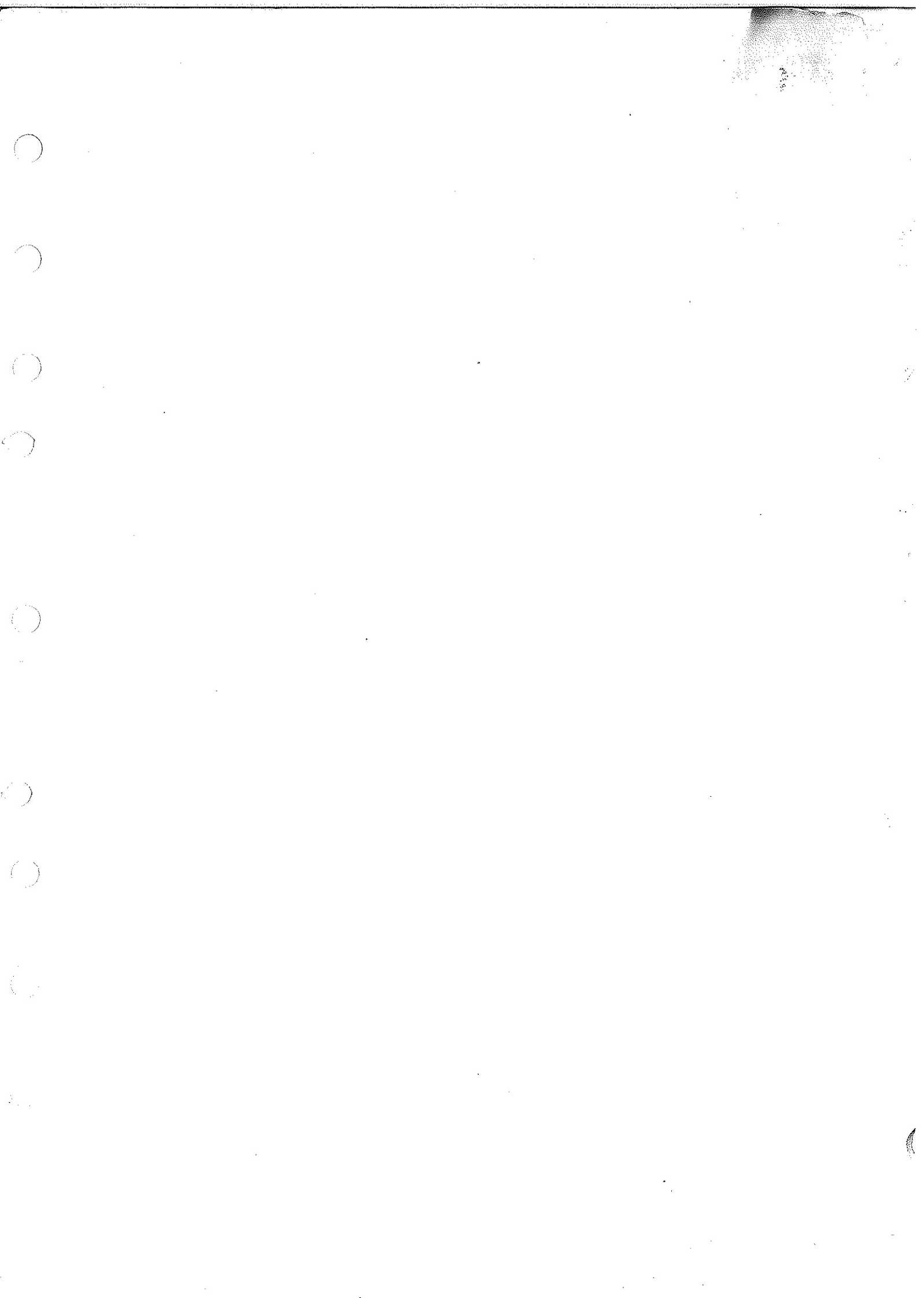
**2 ~ 25**

### **FRAME GROUP**

**26 ~ 57**

### **PART NO. INDEX**

**(1) ~ (4)**





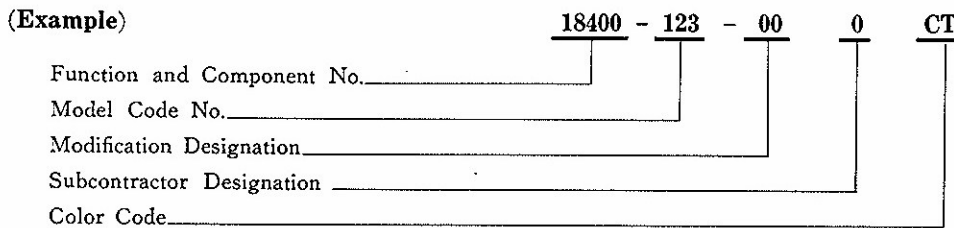


# INSTRUCTION FOR USE OF PARTS LIST

## DESCRIPTION OF PARTS LIST

### 1. Make-up of the Part Number

The following example is the definition of part number.



### 2. Abbreviations

The abbreviations used in this parts list are as follows.

ASSY. .... Assembly  
 COMP. .... Complete  
 hex. .... hexagonal  
 22T ..... 22 teeth

### 3. Dimensions

All dimensions are in millimeters except for the steel balls and wheels.

Parts	Example	Interpretation
Bolt (Screw)	6×12	6 mm diameter, 12 mm length
Pin	8×14	8 mm diameter, 14 mm length
O-Ring	9.5×1.6	9.5 mm diameter, 1.6 mm thickness
Oil seal	14×24×5	14 mm inside diameter, 24 mm outside diameter, 5 mm thickness
Tube	5×130	5 mm inside diameter, 130 mm length

### 4. Quantity used

In the column "Reqd. No." is shown the quantity of parts used in the respective group.

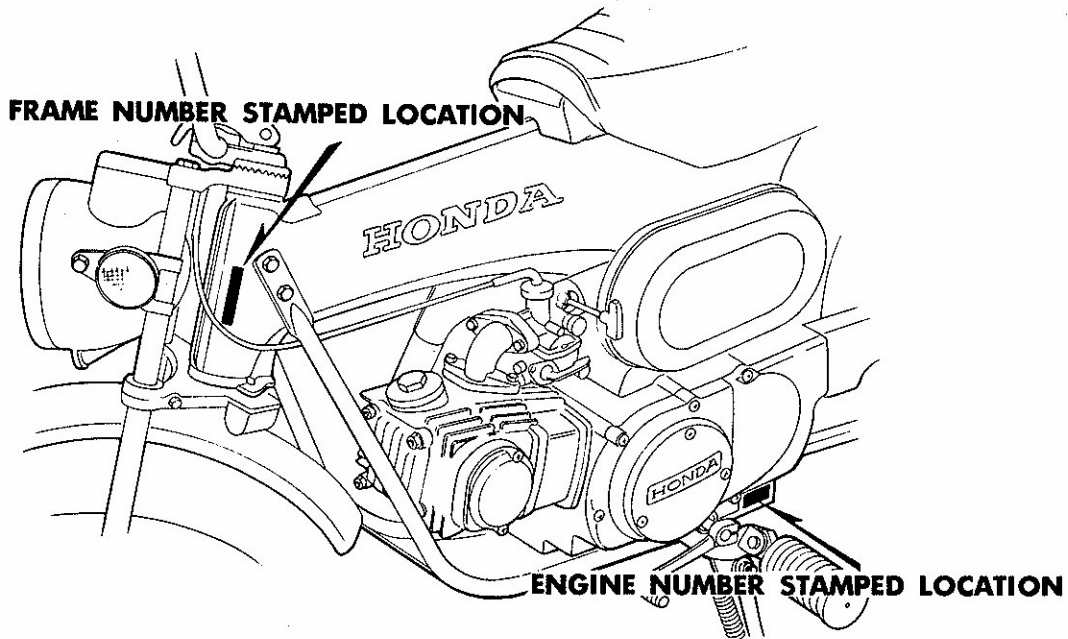
### 5. Applicable Serial Number

If there is a production change to a part, the frame or the engine serial number to which this part become effective will be indicated in the "Remarks" column. However, in case the part is used from the initial serial number, its applicable serial number is not shown. The initial serial number for model as follows.

ST90-A (U.S.A. type) Engine No. ST90E-100002~

Frame No. ST90 -100002~

The serial number is stamped in the following location.

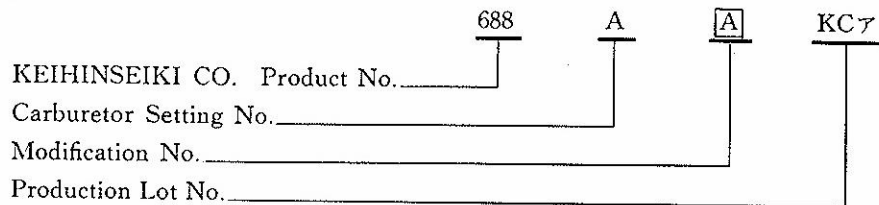


## 6. Applicable carburetor identification number

The changes to the carburetor assembly and its component parts are indicated by the carburetor identification number.

The identification number is stamped as shown below.

(Example)



The modification No. indicates changes to the carburetor assembly and/or its component parts. The alphabetical letterings framed in a square and when there are any changes to the carburetor, it is advanced in sequence.

When any part of the carburetor assembly needs replacement, please check only the product No. and the modification No.

Parts numbers for the parts to be ordered are determined by the carburetor identification number which is listed in the "Remarks" column.

The number listed in the Remarks column is a shortened form of the identification No. stamped on the carburetor. The shortened form, such as "688 [A]", consists of the product No. and the modification No.

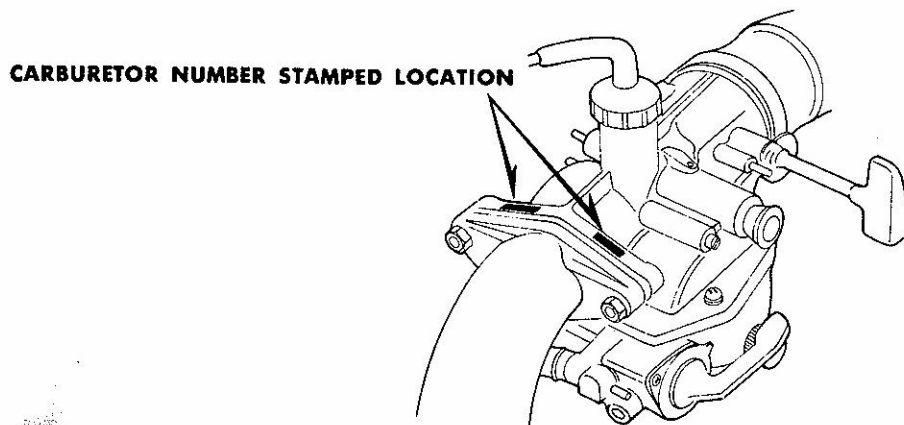
All other numbers and letters are unnecessary, since they do not concern the changes made to the carburetor assembly.

Refer to the following examples.

(Example)

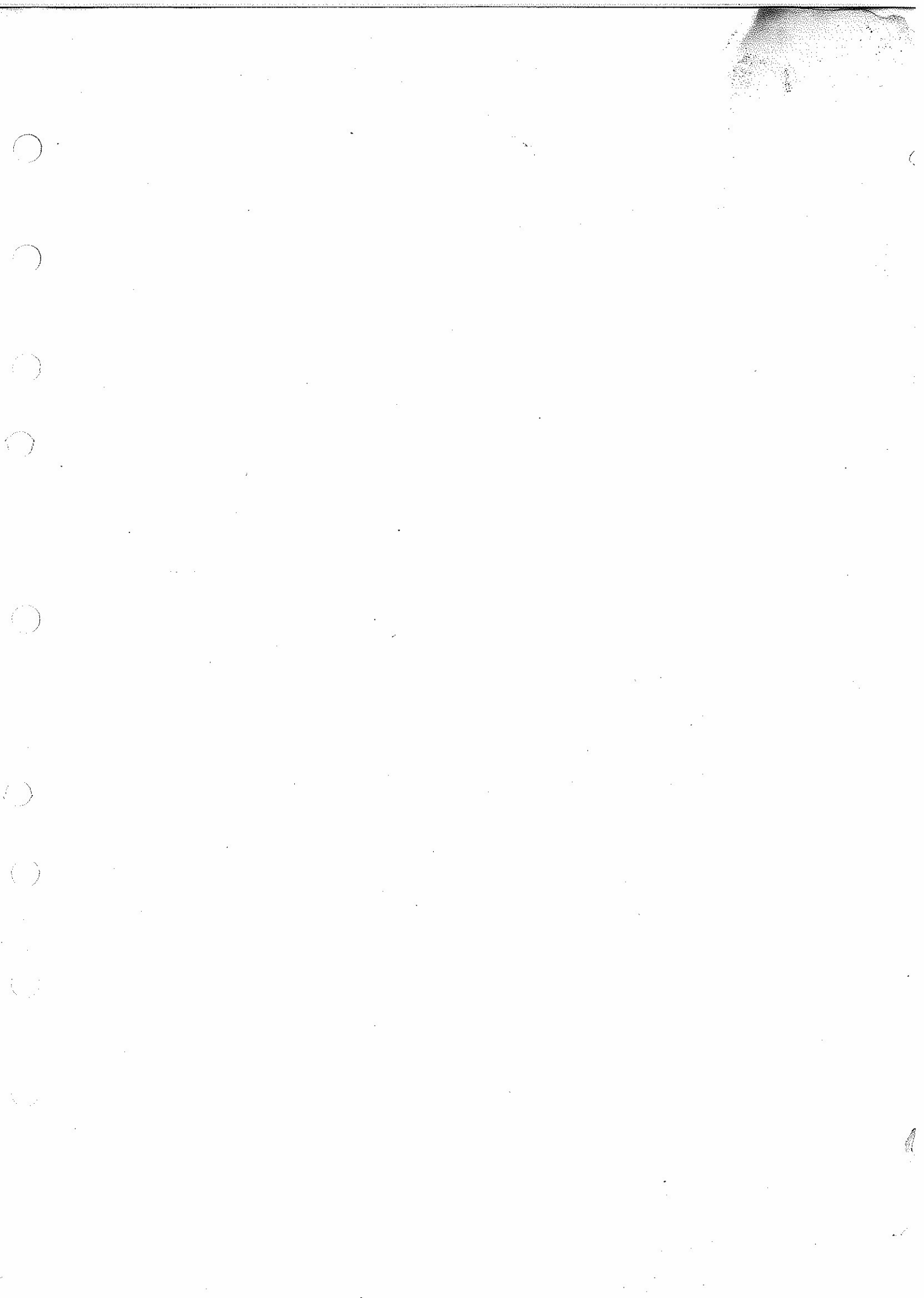
No information	Applicable for use on all carburetors.
688 [A]	Applicable only for use on 688 carburetors designated as [A].
688 [A] ~	Applicable for use on 688 carburetors designated as [A] or subsequent letters.
688 [A] ~ 688 [G]	Applicable for use on 688 carburetors designated from letters [A] through [G].

The number is stamped on the carburetor at the following location.





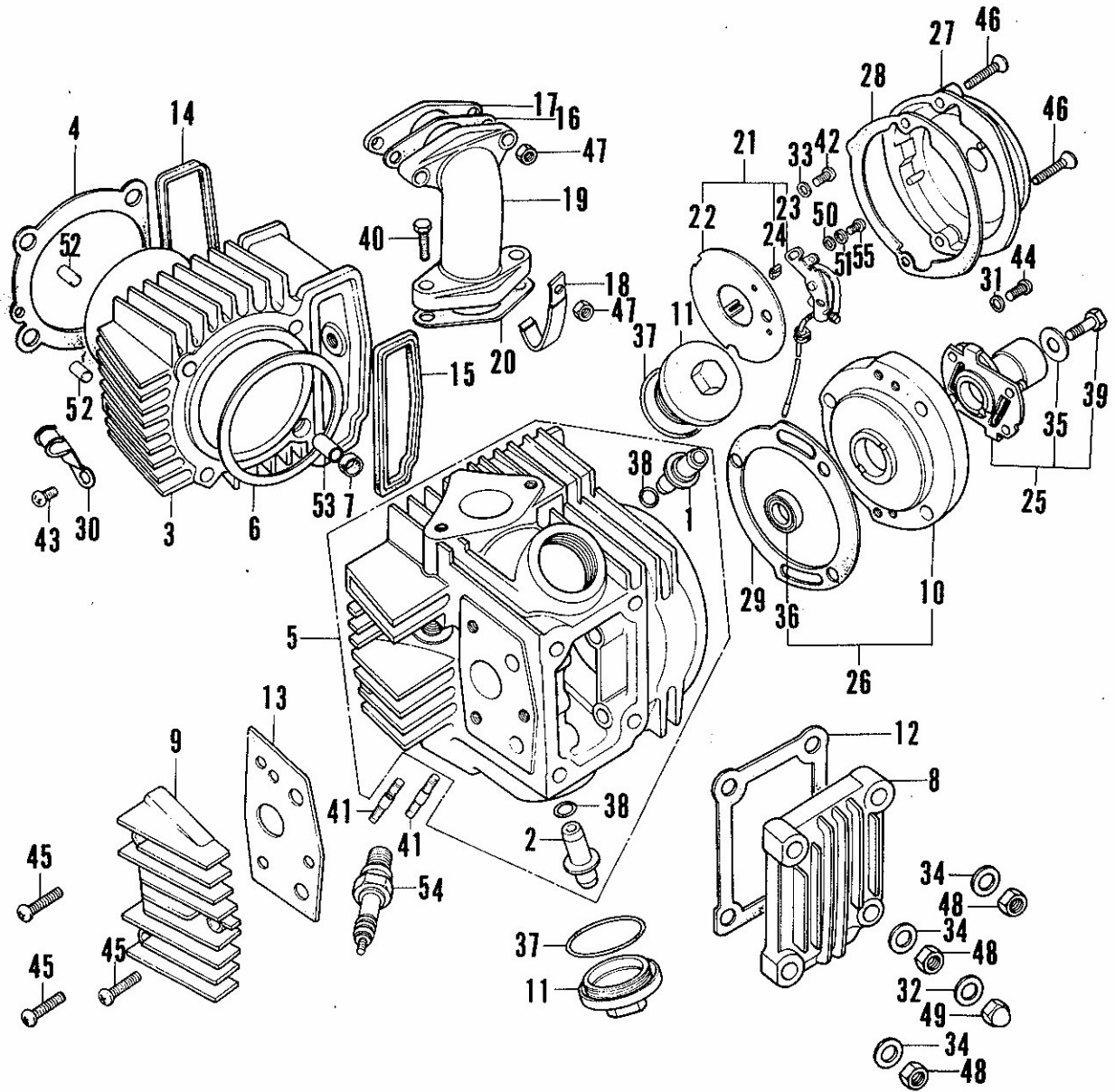
ST90-A (U.S.A. type)



# CONTENTS

Block No.	Nomenclature	Page
<b>ENGINE GROUP</b>		
E- 1	Cylinder · Contact Breaker.....	2
E- 2	Crankshaft · Piston · Valve.....	6
E- 3	Right Crankcase Cover · Clutch.....	10
E- 4	Left Crankcase Cover · Generator.....	14
E- 5	Transmission · Gear Shift · Kick Starter.....	16
E- 6	R. & L. Crankcase · Oil Pump.....	20
E- 7	Carburetor (KEIHIN).....	24
<b>FRAME GROUP</b>		
F- 1	Steering Handle · Winker & Lighting Switch.....	26
F- 2	Head Light · Speedometer.....	28
F- 3	Steering Stem · Front Fender · Front Cushion.....	30
F- 4	Front & Rear Wheel.....	34
F- 5	Air Cleaner · Fuel Tank · Seat.....	38
F- 6	Muffler · Main Stand · Step Bar.....	42
F- 7	Rear Fork · Rear Cushion · Chain Case.....	46
F- 8	R. & L. Winker.....	48
F- 9	Tail Light · Tool Box · Tool-Set.....	50
F-10	Frame Body · Wire Harness · Battery.....	54
	Parts Number Index.....	(1)

E-1 Cylinder · Contact Breaker

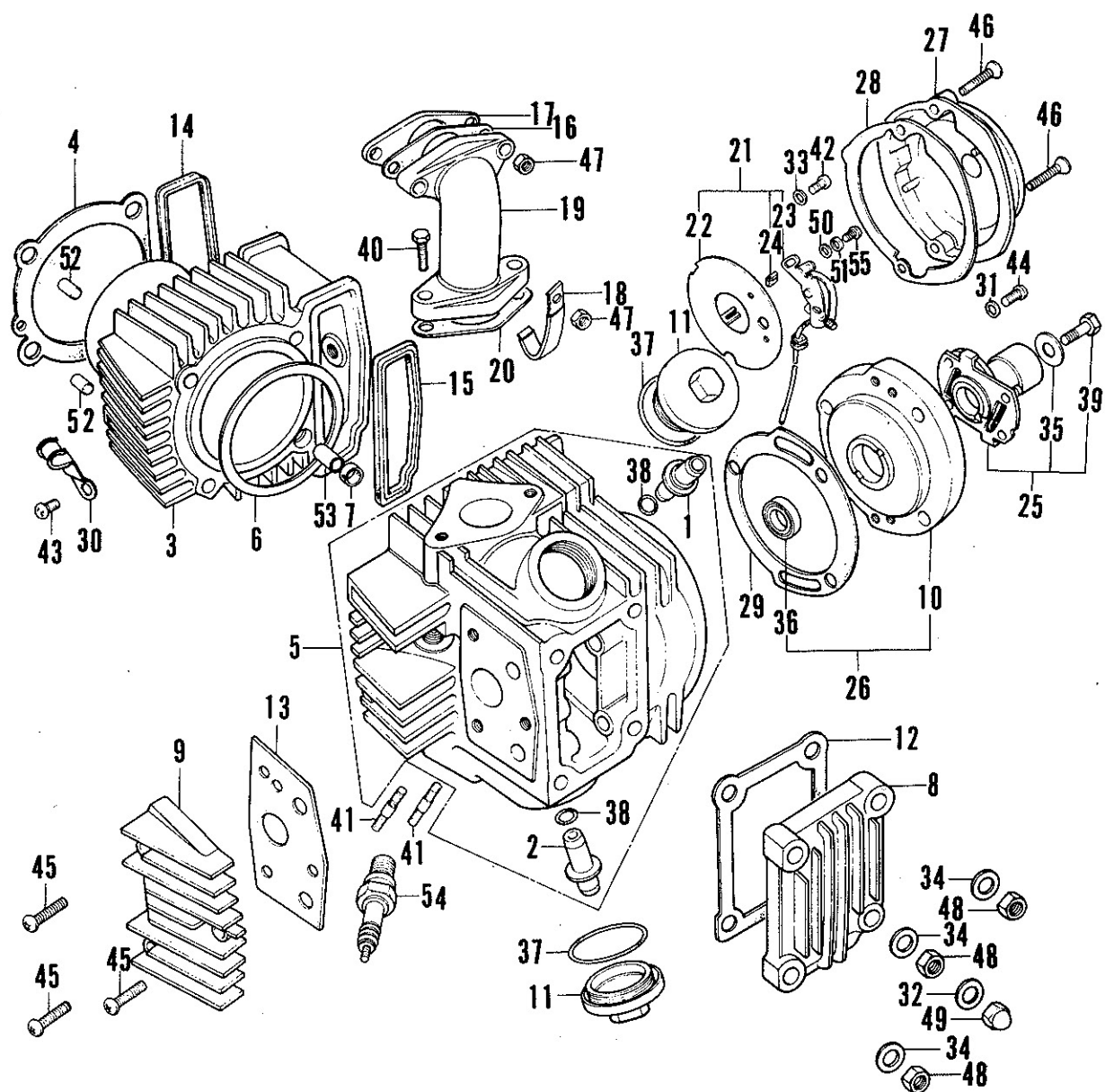




## E-1 Cylinder · Contact Breaker

Ref. No.	Part No.	Description	Reqd. No. ST90	Remarks
1	12021-128-300	GUIDE, inlet valve.....	1	
2	12023-028-330	GUIDE, exhaust valve.....	1	
3	12100-028-680	CYLINDER.....	1	
4	12191-028-020	GASKET, cylinder.....	1	
5	12200-128-000	HEAD COMP., cylinder.....	1	
6	12251-028-030	GASKET, cylinder head.....	1	
7	12261-105-690	GASKET, cylinder stud.....	1	
8	12301-028-010	COVER, cylinder head.....	1	
9	12331-128-000	COVER, rocker arm side.....	1	
10	12332-028-030	BASE, point.....	1	
11	12361-028-000	CAP, tapet adjusting hole.....	2	
12	12391-028-000	GASKET, cylinder head cover.....	1	
13	12394-028-010	GASKET, rocker arm side cover.....	1	
14	12901-028-020	GASKET A, cam chain chamber.....	1	
15	12902-105-690	GASKET B, cam chain chamber.....	1	
16	16201-077-010	GASKET, insulator.....	1	
17	16211-077-010	INSULATOR, carburetor.....	1	
18	16236-128-000	CLAMPER, fuel tube.....	1	
19	17111-128-000	PIPE, inlet.....	1	
20	17119-046-000	GASKET, inlet pipe.....	1	
21	30200-028-013	BRAKER ASSY., contact (KOKUSAN DENKI).....	1	
	30200-107-014	BRAKER ASSY., contact (NIPPON DENSO).....	1	
22	30201-107-004	PLATE, contact braker base (NIPPON DENSO).....	1	
23	30202-107-004	BRAKER, contact (NIPPON DENSO).....	1	
24	30205-028-003	FELT, oil (KOKUSAN DENKI).....	1	
	30205-028-004	FELT, oil (NIPPON DENSO).....	1	
25	30220-053-003	ADVANCER ASSY., spark (KOKUSAN DENKI).....	1	
	30220-053-004	ADVANCER ASSY., spark (NIPPON DENSO).....	1	

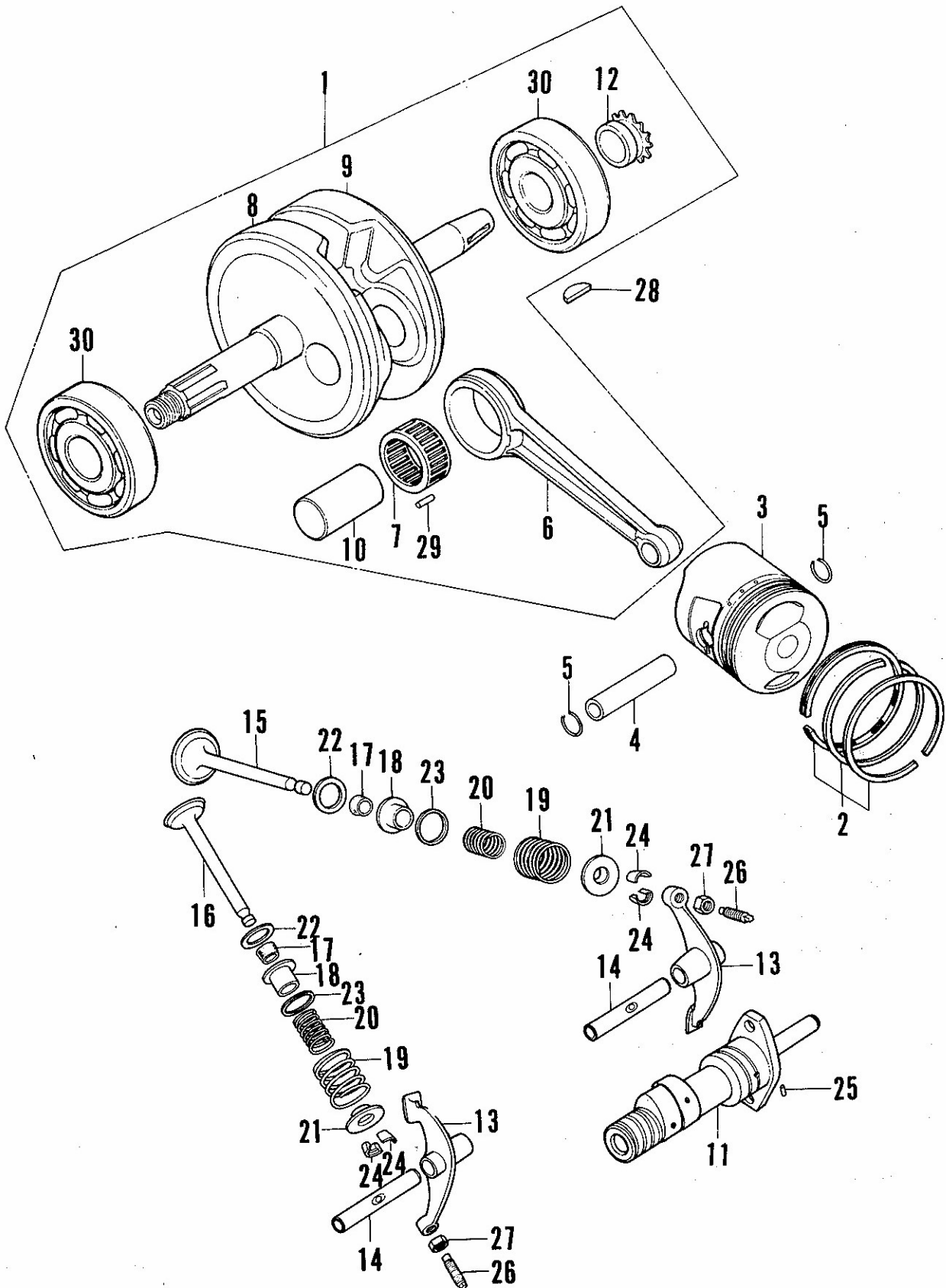
E-1 Cylinder · Contact Breaker



## E-1 Cylinder · Contact Breaker

Ref. No.	Part No.	Description	Reqd. No. ST90	Remarks
26	30360-028-020	BASE ASSY., point.....	1	
27	30370-128-000	COVER, point.....	1	
28	30391-028-000	GASKET, point cover.....	1	
29	30392-028-020	GASKET, point base.....	1	
30	32907-128-000	CLIP A, hightension cord.....	1	
31	90441-028-010	WASHER, scaling, 6 mm.....	3	
32	90442-028-000	WASHER, scaling, 8 mm.....	1	
33	90482-028-000	WASHER, 5mm.....	2	
34	90483-028-000	WASHER, 8mm.....	3	
35	90486-028-000	WASHER, spark advancer setting.....	1	
36	91201-028-000	OIL-SEAL, 13 x 22 x 5.....	1	
37	91302-200-000	O-RING, 33.5 x 3.....	2	
38	91305-028-158	O-RING, 9.0 x 1.6.....	2	
39	92000-06014	BOLT, hex., 6 x 14.....	1	
40	92000-06025	BOLT, hex., 6 x 25.....	2	
41	92700-06032	BOLT, stud, 6 x 32.....	2	
42	93500-05010-0A	SCREW, pan, 5 x 10.....	2	
43	93500-06010	SCREW, pan, 6 x 10.....	1	
44	93500-06012	SCREW, pan, 6 x 12.....	3	
45	93500-06020-02	SCREW, pan, 6 x 20.....	3	
46	93700-05022-0B	SCREW, oval, 5 x 22.....	2	
47	94001-06000	NUT, hex., 6 mm.....	2	
48	94001-08000-0S	NUT, hex., 8 mm.....	3	
49	94021-08000	NUT, hex., cap, 8 mm.....	1	
50	94101-04000	WASHER, plain, 4 mm.....	2	
51	94111-04000	WASHER, spring, 4 mm.....	2	
52	94301-10140	PIN, knock, 10 x 14.....	2	
53	94301-10200	PIN, knock, 10 x 20.....	1	
54	98066-56715-02	PLUG, spark (D6HS-NGK).....	1	
	98066-56724-01	PLUG, spark (X20FS-NIPPON DENSO).....	1	
55	99500-04007-0A	SCREW, pan, hollow, 4 x 7.....	2	

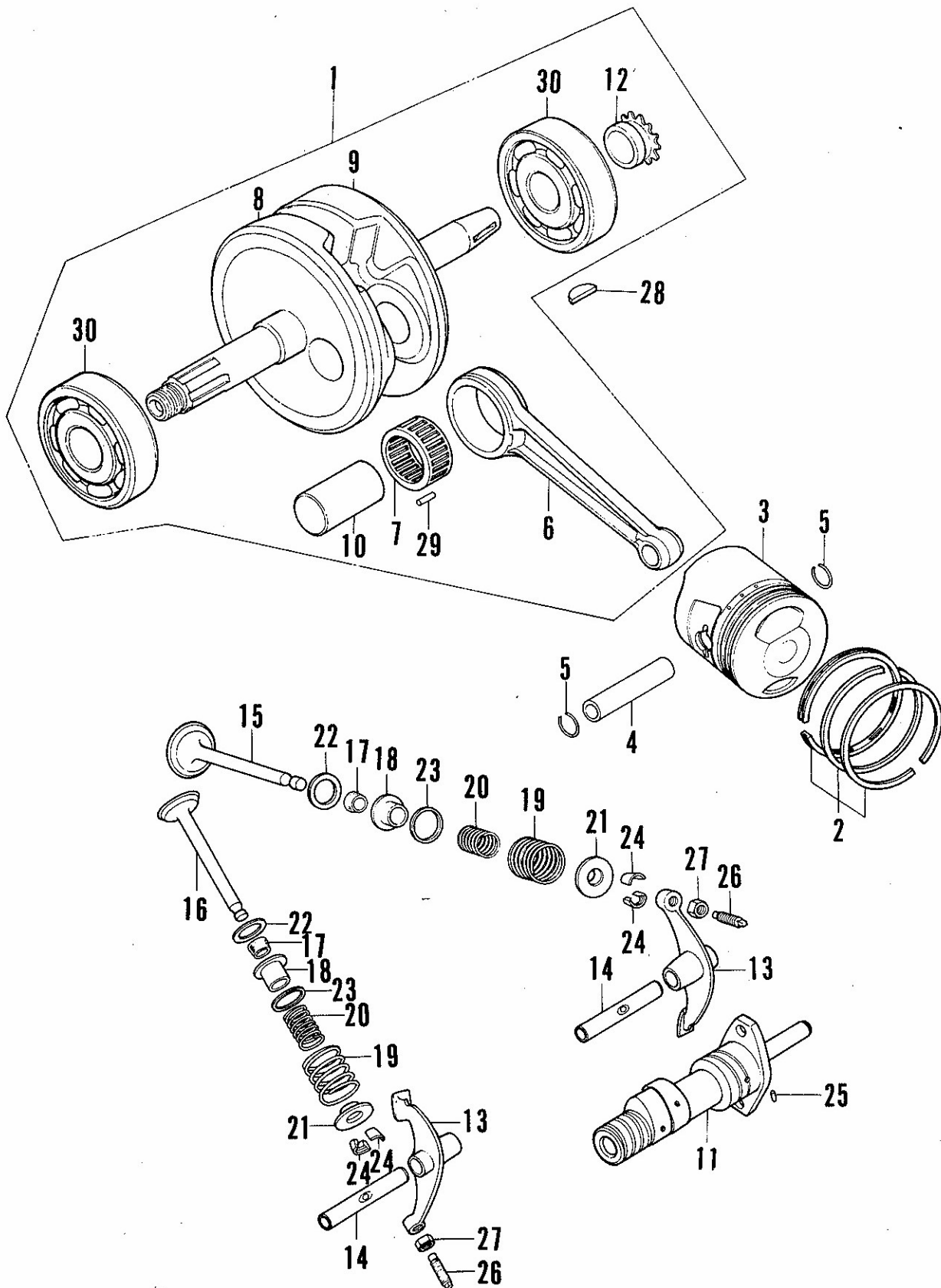
E-2 Cranksaft · Piston · Valve



## E-2 Crankshaft · Piston · Valve

Ref. No.	Part No.	Description	Reqd. No. ST90	Remarks
1	13000-028-040	CRANKSHAFT COMP. ....	1	
2	13010-028-014	RING-SET, piston (STD.-RIKEN PISTON).....	1	
	13020-028-014	RING-SET, piston (0.25-RIKEN PISTON).....	(1)	
	13030-028-014	RING-SET, piston (0.50-RIKEN PISTON).....	(1)	
	13040-028-014	RING-SET, piston (0.75-RIKEN PISTON).....	(1)	
	13050-028-014	RING-SET, piston (1.00-RIKEN PISTON).....	(1)	
	13010-028-025	RING-SET, piston (STD.-TEIKOKU PISTON).....	1	
	13020-028-025	RING-SET, piston (0.25-TEIKOKU PISTON).....	(1)	
	13030-028-025	RING-SET, piston (0.50-TEIKOKU PISTON).....	(1)	
	13040-028-025	RING-SET, piston (0.75-TEIKOKU PISTON).....	(1)	
	13050-028-025	RING-SET, piston (1.00-TEIKOKU PISTON).....	(1)	
3	13101-028-070	PISTON (STD.).....	1	
	13102-028-070	PISTON (0.25).....	(1)	
	13103-028-070	PISTON (0.50).....	(1)	
	13104-028-070	PISTON (0.75).....	(1)	
	13105-028-070	PISTON (1.00).....	(1)	
4	13111-028-000	PIN, piston.....	1	
5	13115-200-000	CLIP, piston pin.....	2	
6	13201-028-000	ROD, connecting.....	1	
7	13211-235-000	RETAINER, roller.....	1	
8	13310-028-070	CRANKSHAFT, right.....	1	
9	13321-028-060	CRANKSHAFT, left.....	1	
10	13381-028-000	PIN, crank.....	1	
11	14101-128-000	CAMSHAFT.....	1	
12	14311-028-010	SPROCKET, timing.....	1	
13	14431-028-010	ARM, valve rocker.....	2	
14	14451-028-010	SHAFT, rocker arm.....	2	
15	14711-028-000	VALVE, inlet.....	1	

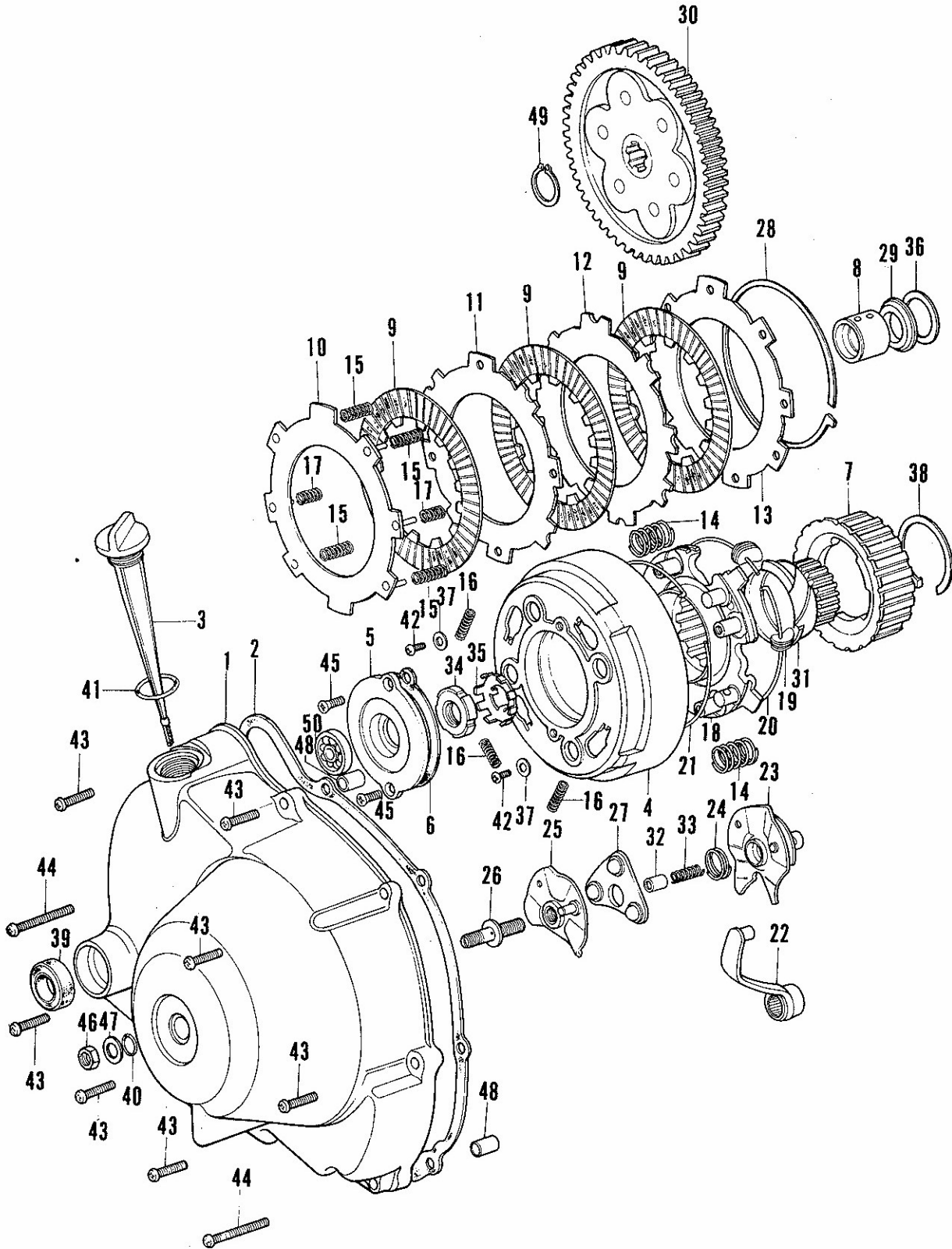
E-2 Crankshaft · Piston · Valve



## E-2 Cranksahft · Piston · Valve

Ref. No.	Part No.	Description	Reqd. No. ST90	Remarks
16	14721-028-602	VALVE, exhaust.....	1	
17	14730-028-013	SEAL, valve stem.....	2	
18	14731-028-000	CAP, valve stem seal.....	2	
19	14751-028-010	SPRING, outer valve.....	2	
20	14761-028-020	SPRING, inner valve.....	2	
21	14771-030-000	RETAINER, valve spring.....	2	
22	14775-028-010	SEAT, valve spring.....	2	
23	14776-028-000	SEAT, inner valve spring.....	2	
24	14781-001-010	COTTER, valve.....	4	
25	30905-216-000	PIN, knock, 3 x 5.2.....	1	
26	90012-333-000	SCREW, tappet adjusting.....	2	
27	90206-001-000	NUT, tappet adjusting.....	2	
28	90741-253-000	KEY, woodruff, 4 mm.....	1	
29	91101-001-030	ROLLER, 2.5 x 10.....	26	
30	96100-63050	BEARING, ball, 6305.....	2	

### E-3 Right Crankcase Cover - Clutch

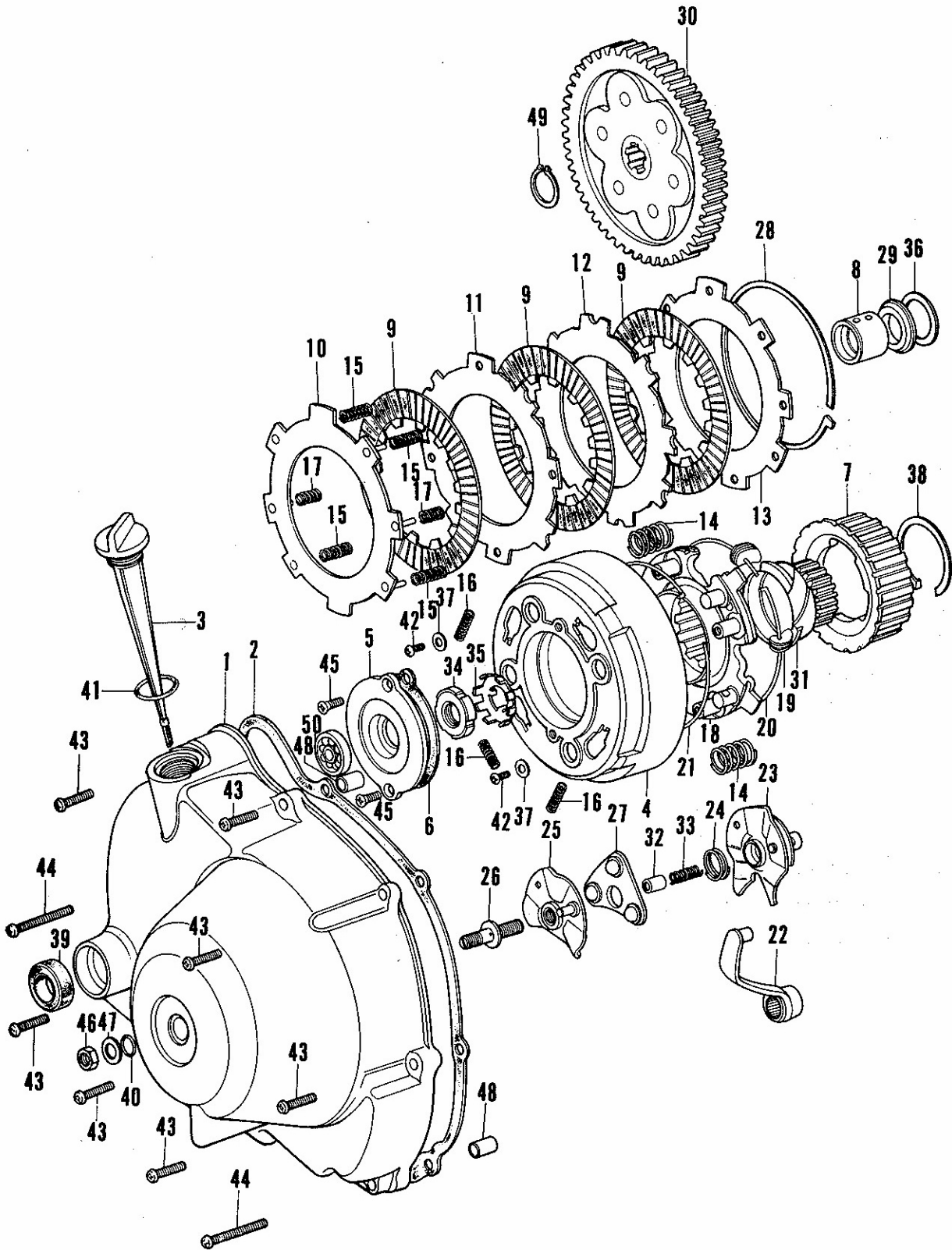




### E-3 Right Crankcase Cover - Clutch

Ref. No.	Part No.	Description	Reqd. No. ST90	Remarks
1	11330-128-670	COVER, right crankcase.....	1	
2	11393-028-020	GASKET, right crankcase cover.....	1	
3	15650-128-000	GAUGE, oil level.....	1	
4	22101-046-030	OUTER, clutch.....	1	
5	22111-028-010	COVER, clutch outer.....	1	
6	22112-028-000	GASKET, clutch outer cover.....	1	
7	22121-096-000	CENTER, clutch (18T).....	1	
8	22131-096-000	GUIDE, clutch center.....	1	
9	22201-121-690	DISK, clutch friction.....	3	
10	22311-096-000	PLATE A, clutch.....	1	
11	22321-046-010	PLATE B, clutch.....	1	
12	22331-046-000	PLATE C, clutch.....	1	
13	22341-046-000	PLATE D, clutch.....	1	
14	22401-046-000	SPRING, clutch.....	4	
15	22411-096-000	SPRING, clutch free.....	4	
16	22421-028-000	SPRING, clutch dumper.....	4	
17	22431-046-010	SPRING, sub clutch free.....	2	
18	22511-096-000	PLATE, drive.....	1	
19	22531-033-010	WEIGHT, clutch.....	28	
20	22535-033-000	RING, clutch weight center.....	1	
21	22536-033-000	RING, clutch weight stopper.....	1	
22	22811-046-010	LEVER, clutch.....	1	
23	22820-918-000	PLATE COMP., clutch cam.....	1	
24	22825-046-000	SPRING, cam plate side.....	1	
25	22830-046-000	PLATE COMP., clutch lifter.....	1	

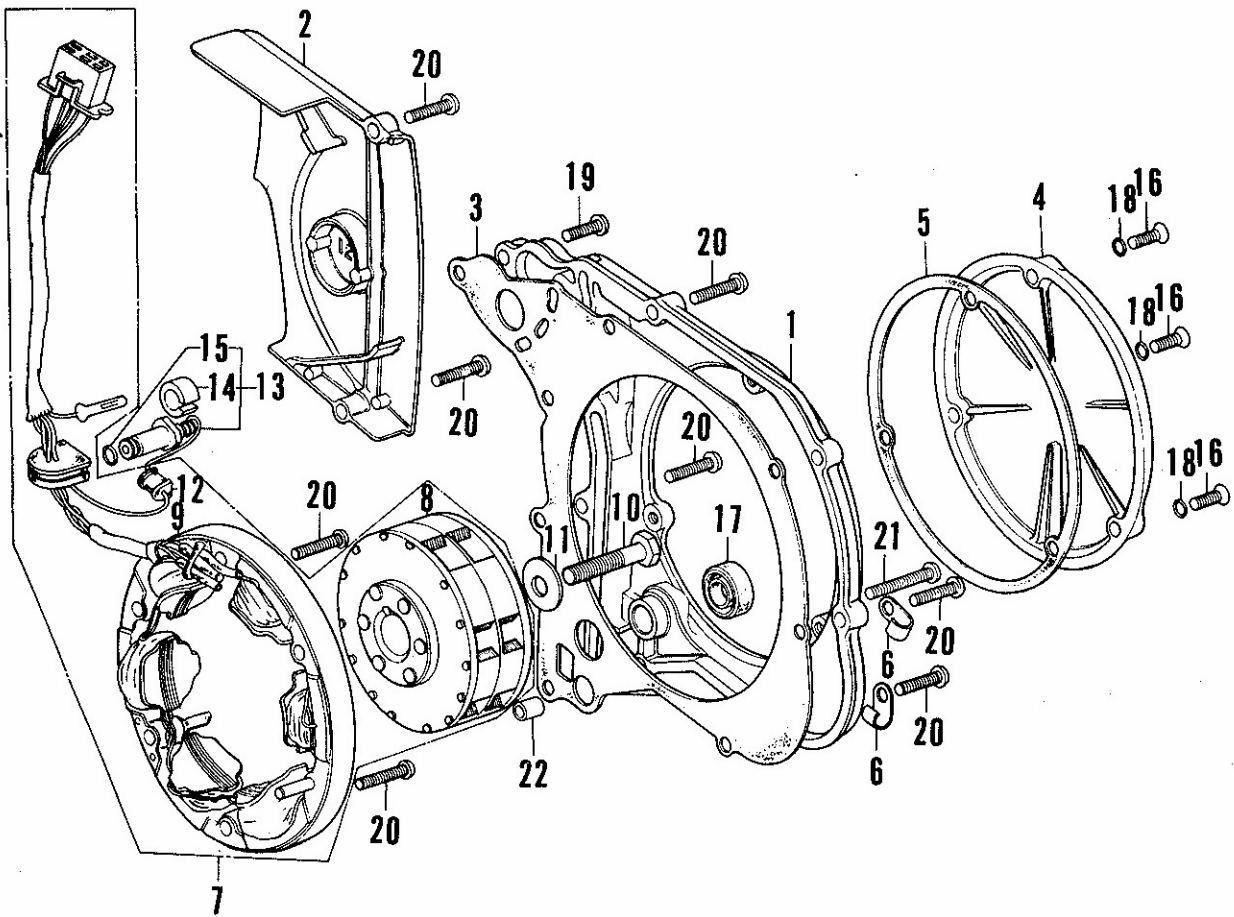
E-3 Right Crankcase Cover - Clutch



### E-3 Right Crankcase Cover - Clutch

Ref. No.	Part No.	Description	Reqd. No. ST90	Remarks
26	22846-053-010	BOLT, clutch adjusting.....	1	
27	22860-046-000	RETAINER COMP., ball.....	1	
28	22901-102-700	SEAT-RING, 102.5 mm.....	1	
29	22911-121-000	COLLAR, 20 mm.....	1	
30	23110-046-000	GEAR COMP., primary driven(67T).....	1	
31	23111-096-000	GEAR, drive (18T).....	1	
32	25551-918-000	THROUGH, oil.....	1	
33	25555-046-000	SPRING, oil through.....	1	
34	90231-028-000	NUT, lock, 16 mm.....	1	
35	90431-028-010	WASHER, lock, 16 mm.....	1	
36	90432-121-000	WASHER, lock.....	1	
37	90483-034-000	WASHER, stopper.....	4	
38	90603-046-000	CIR-CLIP, 38 mm.....	1	
39	91203-023-020	OIL-SEAL, 14 x 26 x 7.....	1	
40	91303-001-000	O-RING, 8 mm.....	1	
41	91307-035-000	O-RING, 18 x 3.....	1	
42	93500-05008-0A	SCREW, pan, 5 x 8.....	4	
43	93500-06020-02	SCREW, pan, 6 x 20.....	7	
44	93500-06040-02	SCREW, pan, 6 x 40.....	2	
45	93600-05012-0A	SCREW, flat, 5 x 12.....	2	
46	94001-08000-0S	NUT, hex., 8 mm.....	1	
47	94101-08000	WASHER, plain, 8 mm.....	1	
48	94301-10140	PIN, knock, 10 x 14.....	2	
49	94510-20000	CIR-CLIP, 20 mm.....	1	
50	96100-60000	BEARING, ball, radial, 6000.....	1	

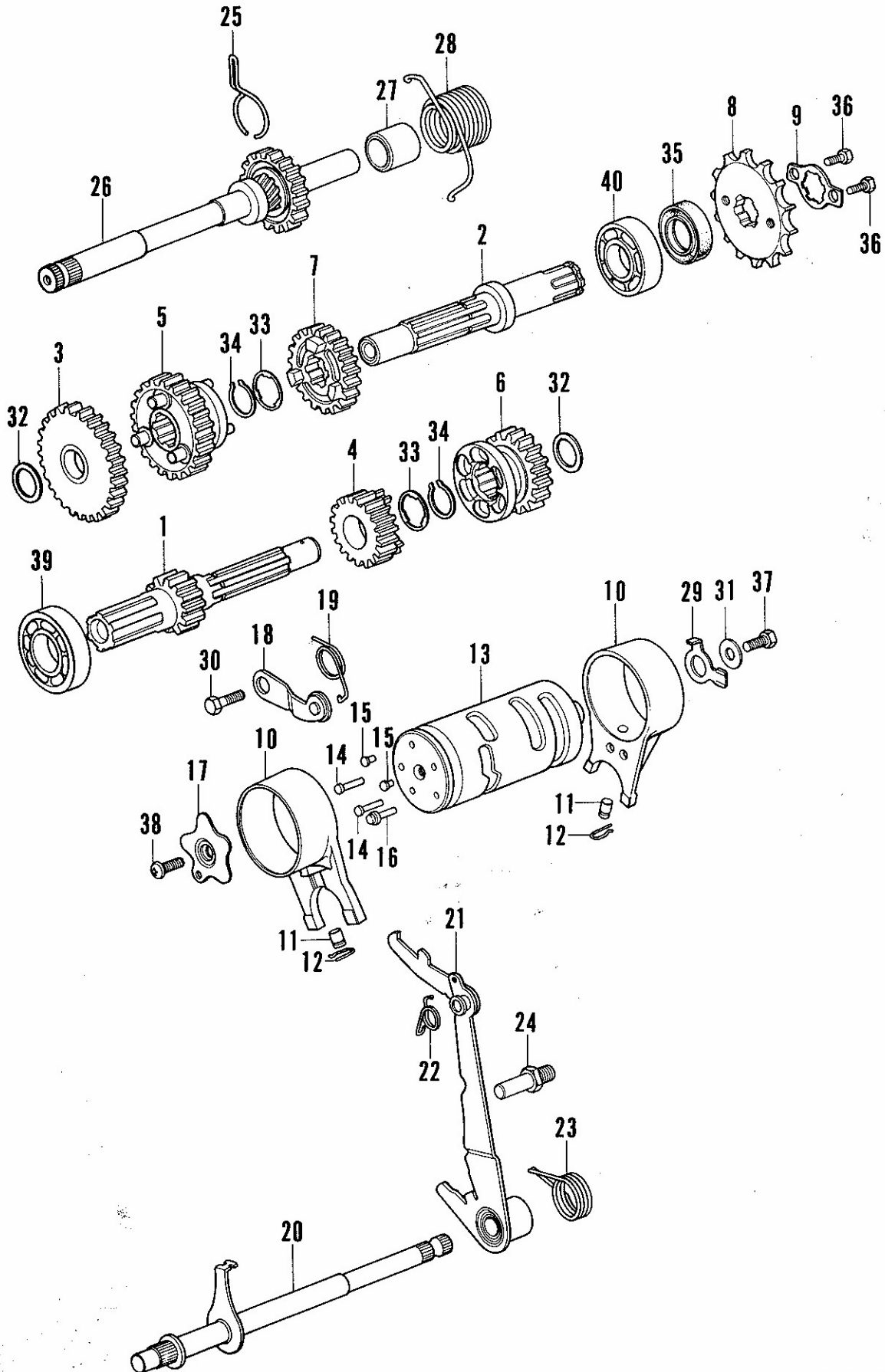
E-4 Left Crankcase Cover - Generator



### E-4 Left Crankcase Cover - Generator

Ref. No.	Part No.	Description	Reqd. No. ST90	Remarks
1	11341-121-000	COVER, left crankcase.....	1	
2	11361-128-000	COVER, left crankcase rear.....	1	
3	11394-028-040	GASKET, left crankcase cover.....	1	
4	11431-128-000	COVER, dynamo.....	1	
5	11691-028-000	GASKET, dynamo cover.....	1	
6	16236-045-010	CLAMPER, over flow pipe.....	2	
7	31100-128-671	A. C. GENERATOR ASSY., rotor type (NIPPON DENSO).....	1	
8	31101-053-004	ROTOR COMP. (NIPPON DENSO).....	1	
9	31102-128-671	STATOR COMP. (NIPPON DENSO).....	1	
10	31104-028-000	BOLT, rotor setting.....	1	
11	31105-028-000	WASHER, rotor setting.....	1	
12	32981-121-003	GROMMET, neutral switch cord.....	1	
13	35750-028-000	CONTACT, neutral switch.....	1	
14	35752-028-300	SPACER, neutral switch.....	1	
15	37551-001-000	O-RING, 7 x 1.6.....	1	
16	90141-028-000	SCREW, oval, 6 x 18.....	3	
17	91204-001-000	OIL-SEAL, 11.6 x 24 x 10.....	1	
18	91301-216-000	O-RING, 5.5 x 1.5.....	3	
19	93500-06020-02	SCREW, pan, 6 x 20.....	1	
20	93500-06025	SCREW, pan, 6 x 25.....	12	
21	93500-06036	SCREW, pan, 6 x 36.....	1	
22	94301-10140	PIN, knock, 10 x 14.....	1	

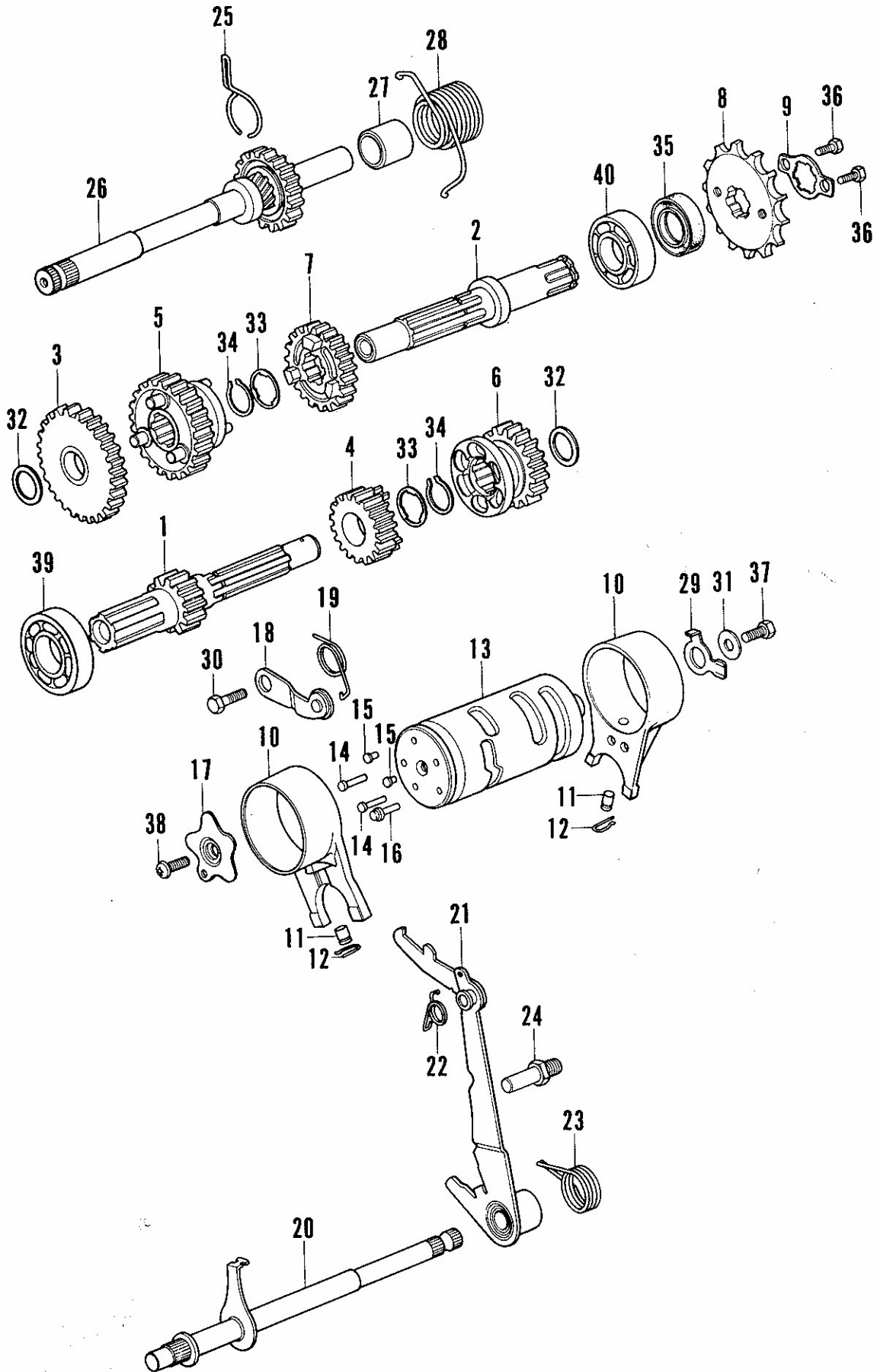
E-5 Transmission · Gear Shift · Kick Starter



## E-5 Transmission · Gear Shift · Kick Starter

Ref. No.	Part No.	Description	Reqd. No. ST90	Remarks
1	23211-121-691	SHAFT, main, transmission (13T).....	1	
2	23221-121-691	SHAFT, counter, transmission (23T).....	1	
3	23421-121-691	GEAR COMP., low, counter shaft (33T).....	1	
4	23431-121-692	GEAR, second, main shaft (17T).....	1	
5	23441-121-693	GEAR, second, counter shaft (28T).....	1	
6	23471-121-692	GEAR, top, main shaft (22T).....	1	
7	23481-121-692	GEAR, top, counter shaft (23T).....	1	
8	23801-128-670	SPROCKET, drive (15T).....	1	
9	23811-028-000	PLATE, drive sprocket fixing.....	1	
10	24211-121-690	FORK, gear shift.....	2	
11	24261-028-010	PIN, gear shift fork guide.....	2	
12	24263-028-000	CLIP, gear shift fork guide pin.....	2	
13	24301-121-690	DRUM, gear shift.....	1	
14	24421-001-010	PIN A, gear shift drum.....	2	
15	24422-001-000	PIN B, gear shift drum.....	2	
16	24423-028-000	PIN C, gear shift drum.....	1	
17	24425-028-010	PLATE, gear shift drum side.....	1	
18	24430-028-010	ARM COMP., shift drum stopper.....	1	
19	24435-046-000	SPRING, shift drum stopper.....	1	
20	24610-046-020	SPINDLE COMP., gear shift.....	1	
21	24630-046-010	ARM COMP., gear shift.....	1	
22	24641-046-000	SPRING, gear shift arm.....	1	
23	24651-033-010	SPRING, gear shift return.....	1	
24	24652-035-000	PIN, shift return spring.....	1	
25	28223-128-670	SPRING, kick starter rocket.....	1	

E-5 Transmission · Gear Shift · Kick Starter

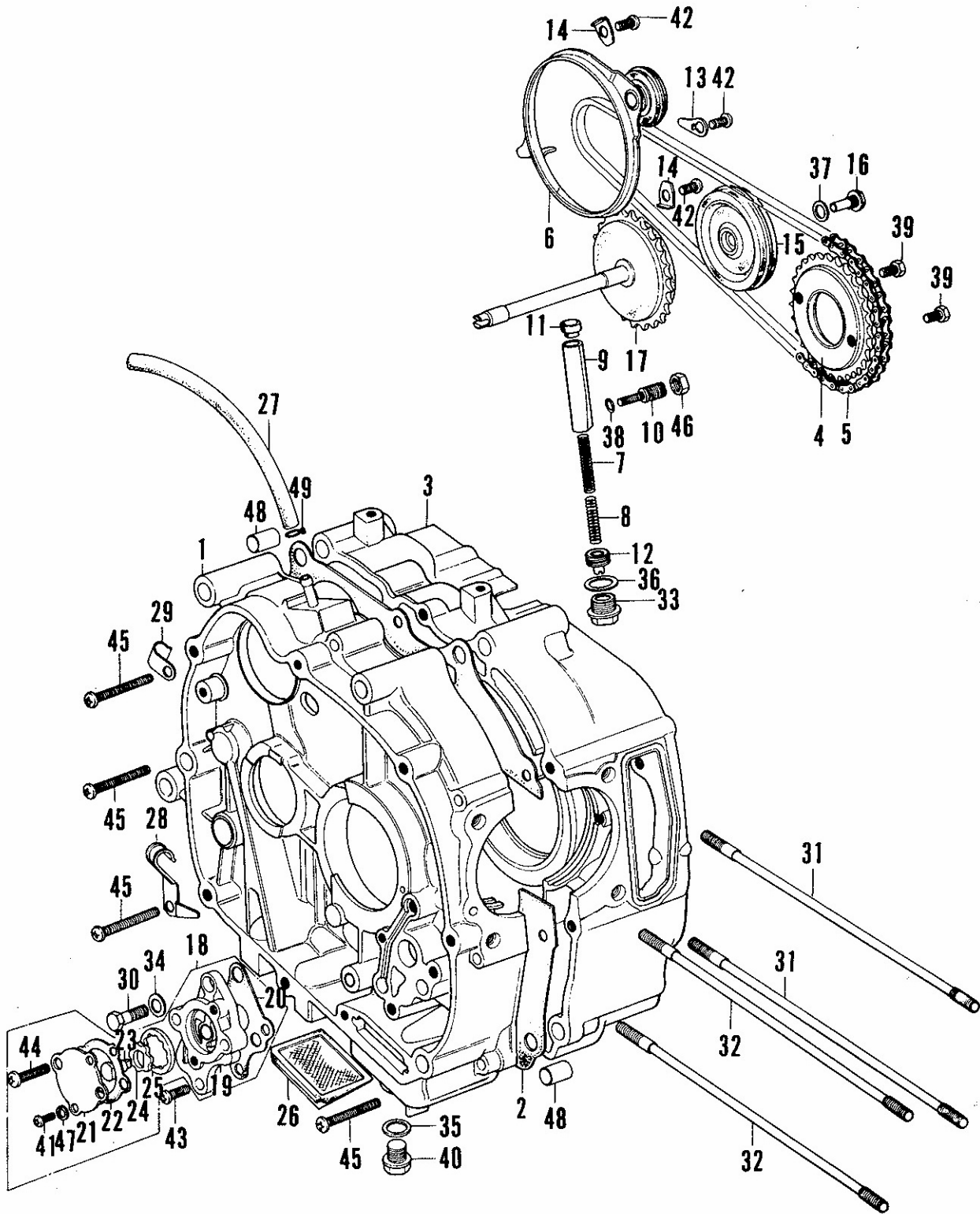




## E-5 Transmission · Gear Shift · Kick Starter

Ref. No.	Part No.	Description	Reqd. No. ST90	Remarks
26	28250-128-670	SPINDLE COMP., kick starter.....	1	
27	28255-121-690	GUIDE, kick starter spring.....	1	
28	28261-121-691	SPRING, kick starter.....	1	
29	35753-028-601	ROTOR, neutral switch.....	1	
30	90023-001-010	PIVOT, shift drum stopper arm.....	1	
31	90417-041-000	WASHER, shift drum side.....	1	
32	90451-001-000	WASHER, thrust, 14 mm.....	2	
33	90461-028-000	WASHER, spline, 18 mm.....	2	
34	90601-030-000	CIR-CLIP, 18 mm.....	2	
35	91201-030-000	OIL-SEAL, 20 x 34 x 7.....	1	
36	92000-06010	BOLT, hex., 6 x 10.....	2	
37	92000-06016	BOLT, hex., 6 x 16.....	1	
38	93500-06012	SCREW, pan, 6 x 12.....	1	
39	96100-60040	BEARING, ball, 6004.....	1	
40	96100-62040	BEARING, ball, 6204.....	1	

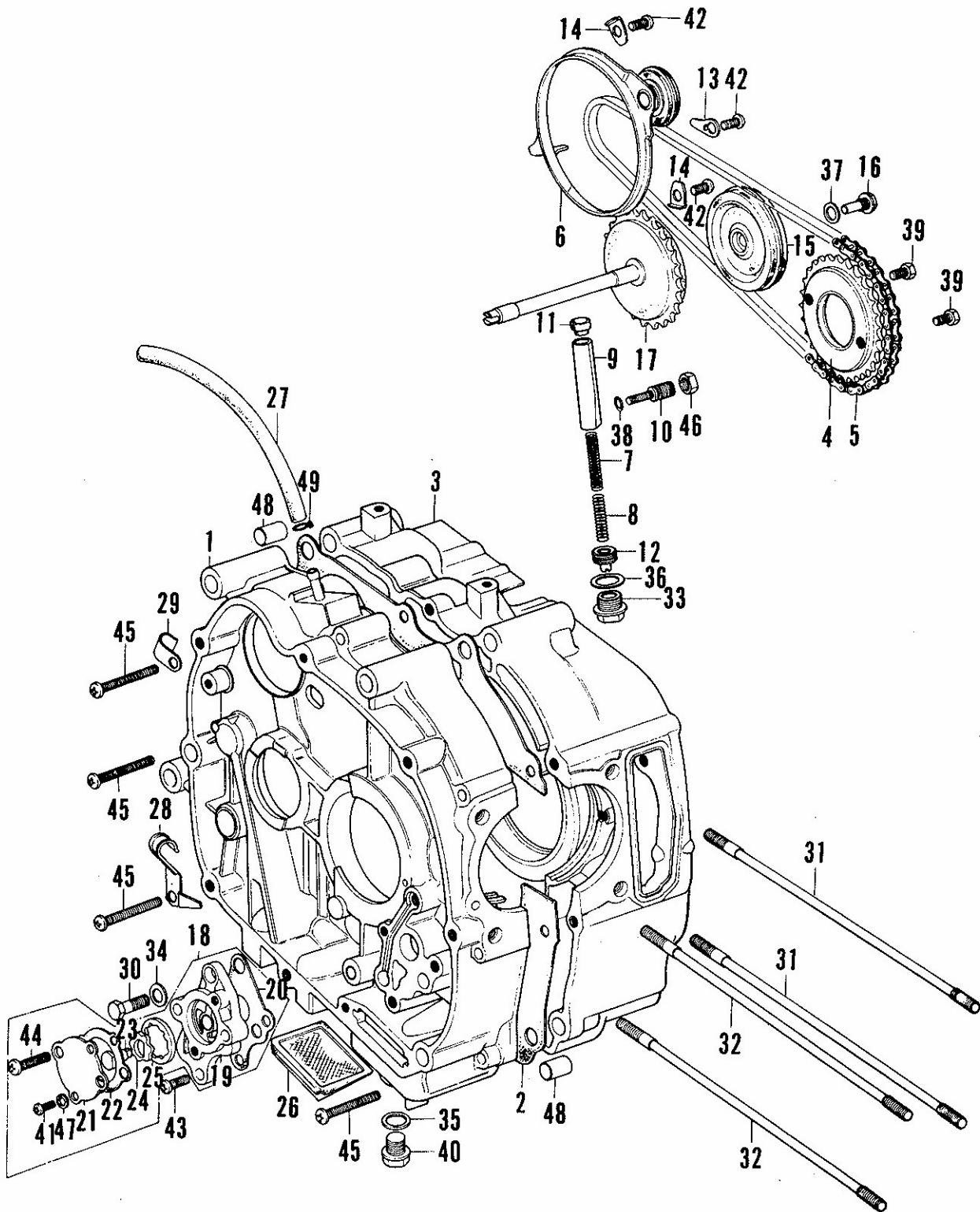
E-6 R. & L. Crankcase · Oil Pump



## E-6 R. & L. Crankcase - Oil Pump

Ref. No.	Part No.	Description	Reqd. No. ST90	Remarks
1	11100-128-000	CRANKCASE COMP., right.....	1	
2	11191-128-000	GASKET, crankcase.....	1	
3	11200-128-000	CRANKCASE COMP., left.....	1	
4	14321-028-000	SPROCKET, cam (30T).....	1	
5	14401-028-003	CHAIN, cam (DK210HX86L - DAIDO).....	1	
6	14500-096-020	TENSIONER COMP., cam chain.....	1	
7	14541-086-010	SPRING A, tensioner.....	1	
8	14542-086-000	SPRING B, tensioner.....	1	
9	14550-086-010	ROD COMP., tensioner push.....	1	
10	14561-086-010	BOLT, tensioner adjusting.....	1	
11	14561-096-000	HEAD, tensioner push rod.....	1	
12	14562-086-000	BOLT B, tensioner adjusting.....	1	
13	14592-028-010	PLATE A, tensioner setting.....	1	
14	14593-028-010	PLATE B, tensioner setting.....	2	
15	14610-105-690	ROLLER, cam chain guide.....	1	
16	14615-035-000	PIN, guide roller.....	1	
17	14670-028-000	SPROCKET COMP., cam chain guide.....	1	
18	15100-053-010	PUMP ASSY., oil.....	1	
19	15111-053-020	BODY, oil pump.....	1	
20	15119-028-030	GASKET, oil pump body.....	1	
21	15121-028-060	COVER, oil pump.....	1	
22	15128-028-030	GASKET, oil pump cover.....	1	
23	15181-028-050	SHAFT, oil pump drive.....	1	
24	15331-053-010	ROTOR, oil pump inner.....	1	
25	15332-053-010	ROTOR, oil pump outer.....	1	

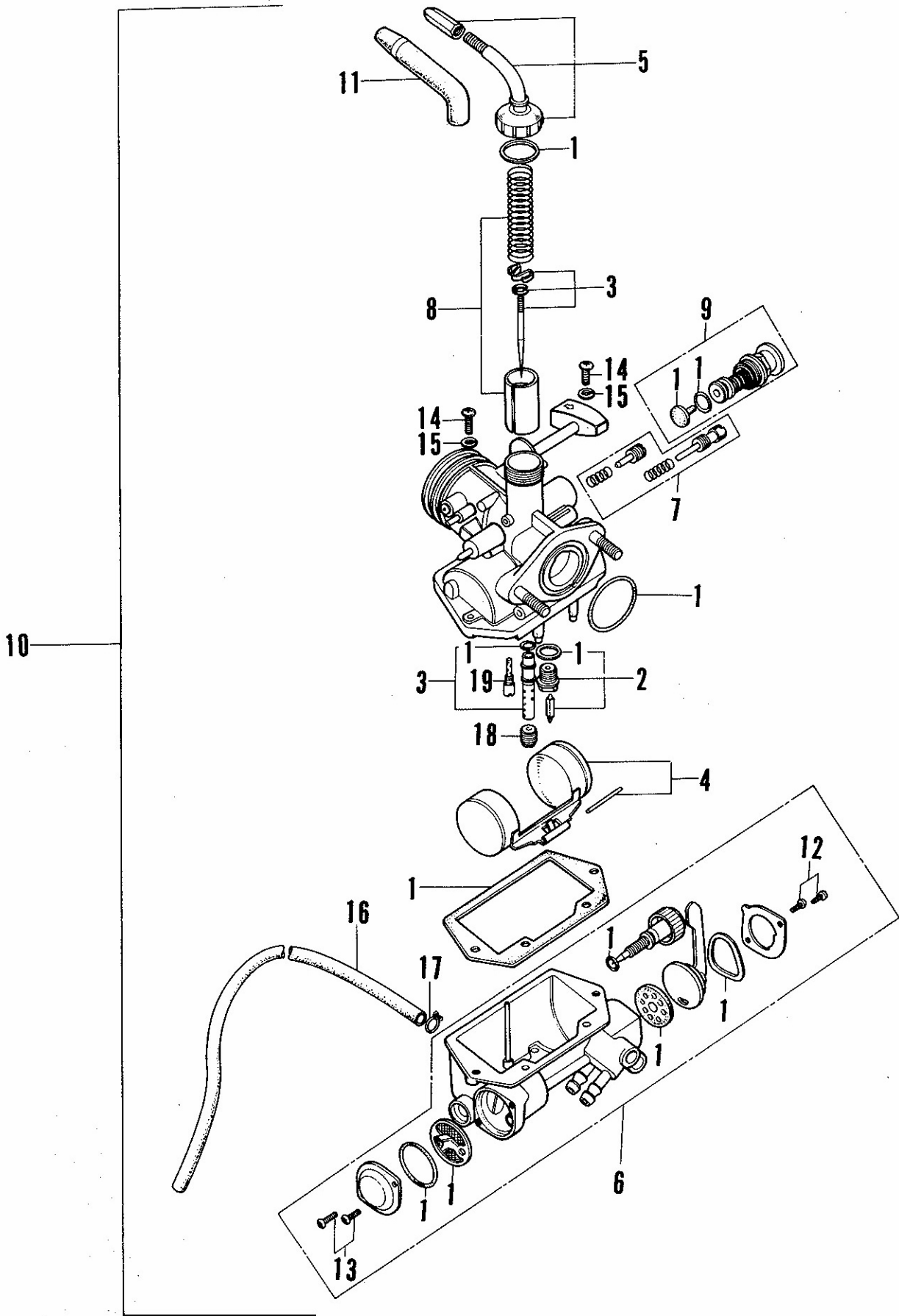
E-6 R. & L. Crankcase · Oil Pump



## E-6 R. & L. Crankcase - Oil Pump

Ref. No.	Part No.	Description	Reqd. No. ST90	Remarks
26	15421-035-010	SCREEN, oil filter .....	1	
27	15761-128-000	TUBE, breather.....	1	
28	32908-128-000	CLIP B, hightension cord.....	1	
29	32909-128-000	CLIP, breather tube.....	1	
30	90015-028-000	BOLT, oil joint.....	1	
31	90031-028-010	BOLT A, cylinder stud.....	2	
32	90032-028-020	BOLT B, cylinder stud.....	2	
33	90081-086-000	BOLT, sealing, 14 mm.....	1	
34	90405-001-000	PACKING, oil pipe joint.....	1	
35	90407-231-000	PACKING, drain cock.....	1	
36	90441-035-000	WASHER, sealing, 14 mm.....	1	
37	90481-035-000	WASHER, 8 mm.....	1	
38	91301-216-000	O-RING, 5.5 x 1.5.....	1	
39	92000-06010	BOLT, hex., 6 x 10.....	2	
40	92800-12000	BOLT, drain cock, 12 mm.....	1	
41	93500-05010-0A	SCREW, pan, 5 x 10.....	2	
42	93500-06012	SCREW, pan, 6 x 12.....	3	
43	93500-06016	SCREW, pan, 6 x 16.....	1	
44	93500-06025	SCREW, pan, 6 x 25.....	2	
45	93500-06040	SCREW, pan, 6 x 40.....	9	
46	94001-08000-0S	NUT, hex., 8 mm.....	1	
47	94111-05000	WASHER, spring, 5 mm.....	2	
48	94301-10140	PIN, knock, 10 x 14.....	2	
49	95002-70000	CLIP, oil tube.....	1	

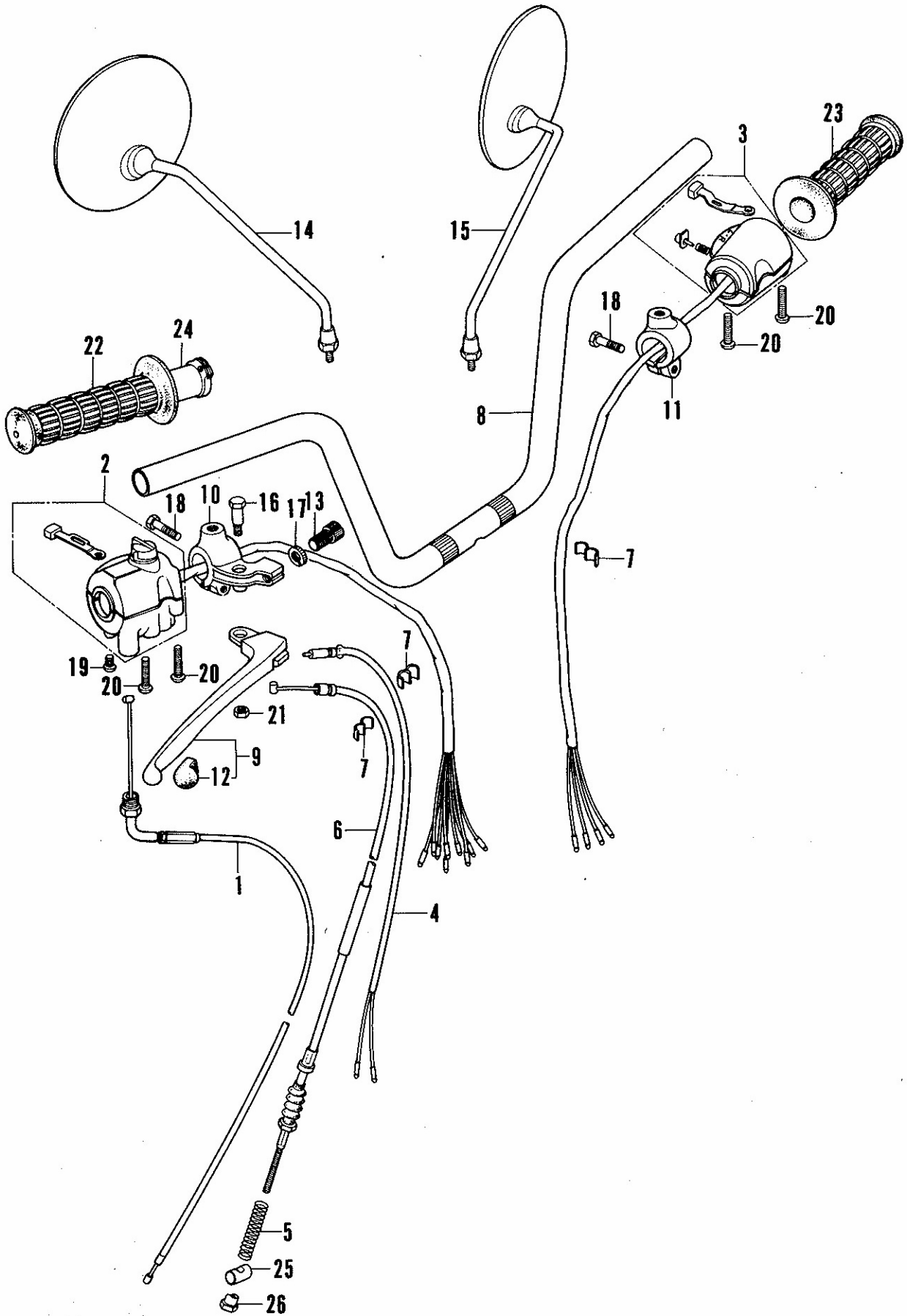
# E-7 Carburetor (KEIHIN)



### E-7 Carburetor (KEIHIN)

Ref. No.	Part No.	Description	Reqd. No. ST90	Remarks
1	16010-102-014	PACKING SET.....	1	
2	16011-070-004	VALVE SET, float.....	1	
3	16012-128-670	NEEDLE SET, jet.....	1	
4	16013-046-004	FLOAT SET.....	1	
5	16014-918-004	TOP SET.....	1	
6	16015-102-004	CHAMBER SET, float.....	1	
7	16016-046-004	SCREW SET.....	1	
8	16022-046-004	VALVE SET, throttle.....	1	
9	16037-077-004	BOTTOM SET, cock.....	1	
10	16100-128-670	CARBURETOR ASSY. ....	1	
11	16118-121-004	CAP, gum.....	1	
12	93500-03005-0A	SCREW, pan, 3 x 5.....	2	
13	93500-03007-0A	SCREW, pan, 3 x 7.....	2	
14	93500-04012-0A	SCREW, pan, 4 x 12.....	2	
15	94111-04000	WASHER, spring, 4mm.....	2	
16	95001-35270-40	PIPE, gum, 3.5 φ x 270.....	1	
17	95002-02070	CLIP, tube, B7.....	1	
18	99114-077-0650	JET, main.....	1	
19	99124-303-0350	JET, slow.....	1	

F-1 Steering Handle · Winker & Lighting Switch

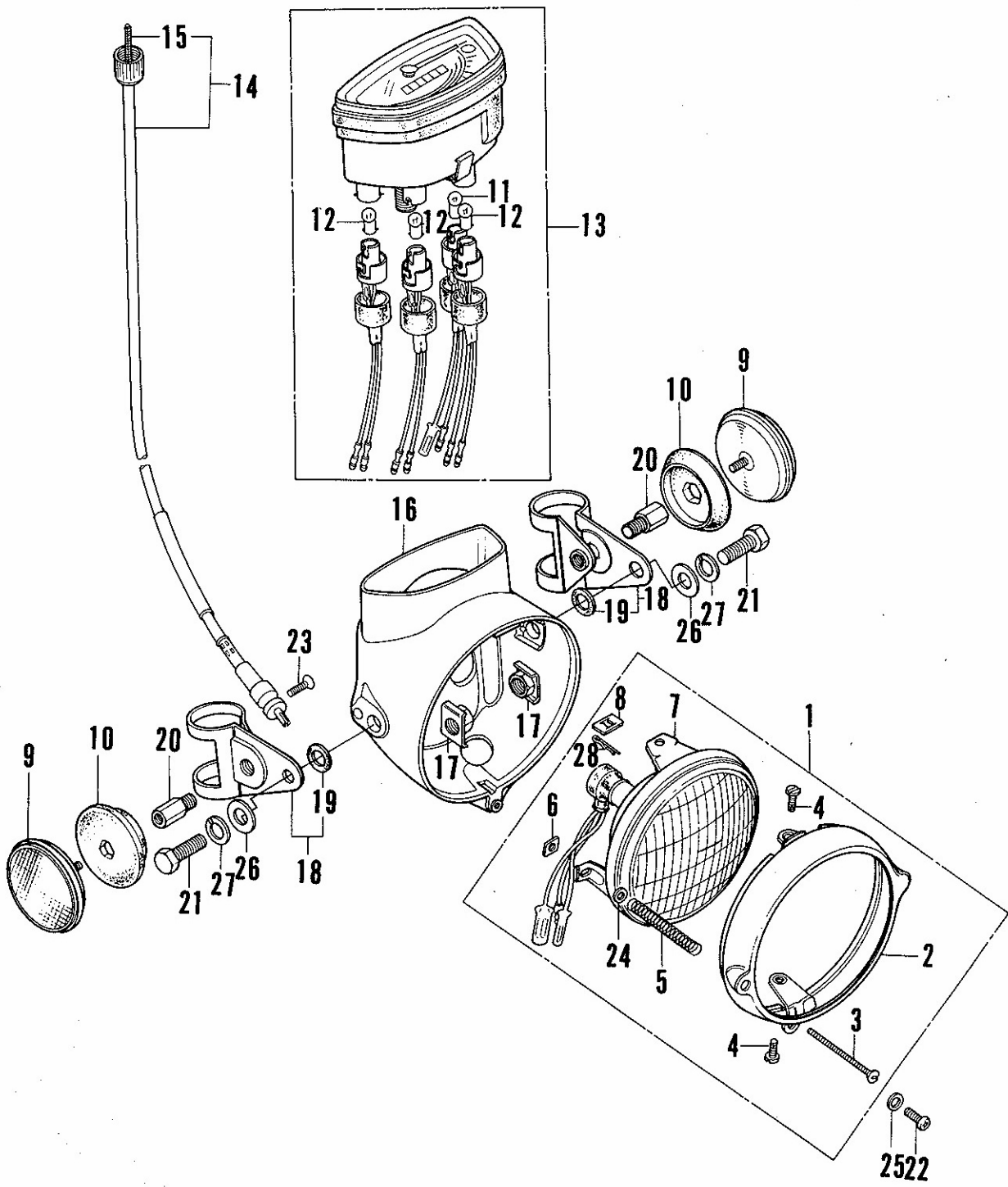




## F-1 Steering Handle - Winker & Lighting Switch

Ref. No.	Part No.	Description	Reqd. No. ST90	Remarks
1	17910-128-000	CABLE COMP., throttle.....	1	
2	35150-128-671	SWITCH ASSY., lighting dimmer.....	1	
3	35200-128-670	SWITCH ASSY., winker.....	1	
4	35340-102-003	SWITCH COMP., front stop.....	1	
5	45437-001-000	SPRING, front brake arm.....	1	
6	45450-128-000	WIRE COMP., front brake.....	1	
7	45465-270-000	CLIP, front brake wire.....	3	
8	53100-128-000	PIPE, steering handle.....	1	
9	53170-074-670	LEVER COMP., handle, right.....	1	
10	53171-110-000	BRACKET, handle lever, right.....	1	
11	53171-128-670	BRACKET, back mirror.....	1	
12	53180-286-000	CAP, handle lever.....	1	
13	53192-268-000	BOLT, clutch wire adjusting.....	1	
14	88110-074-000	MIRROR, back right.....	1	
15	88120-074-000	MIRROR, back left.....	1	
16	90114-268-020	BOLT, handle lever pivot.....	1	
17	90321-315-670	NUT, fixing.....	1	
18	92000-06025	BOLT, hex., 6 x 25.....	2	
19	93500-05006-0A	SCREW, pan, 5 x 6.....	1	
20	93500-05024-0A	SCREW, pan, 5 x 24.....	4	
21	94001-06000	NUT, hex., 6 mm.....	1	
22	95011-15100	GRIP E, handle, right.....	1	
23	95011-15200	GRIP E, handle, left.....	1	
24	95014-51100	PIPE A, grip.....	1	
25	95015-31000	JOINT A, brake arm.....	1	
26	95015-41000	NUT A, adjust.....	1	

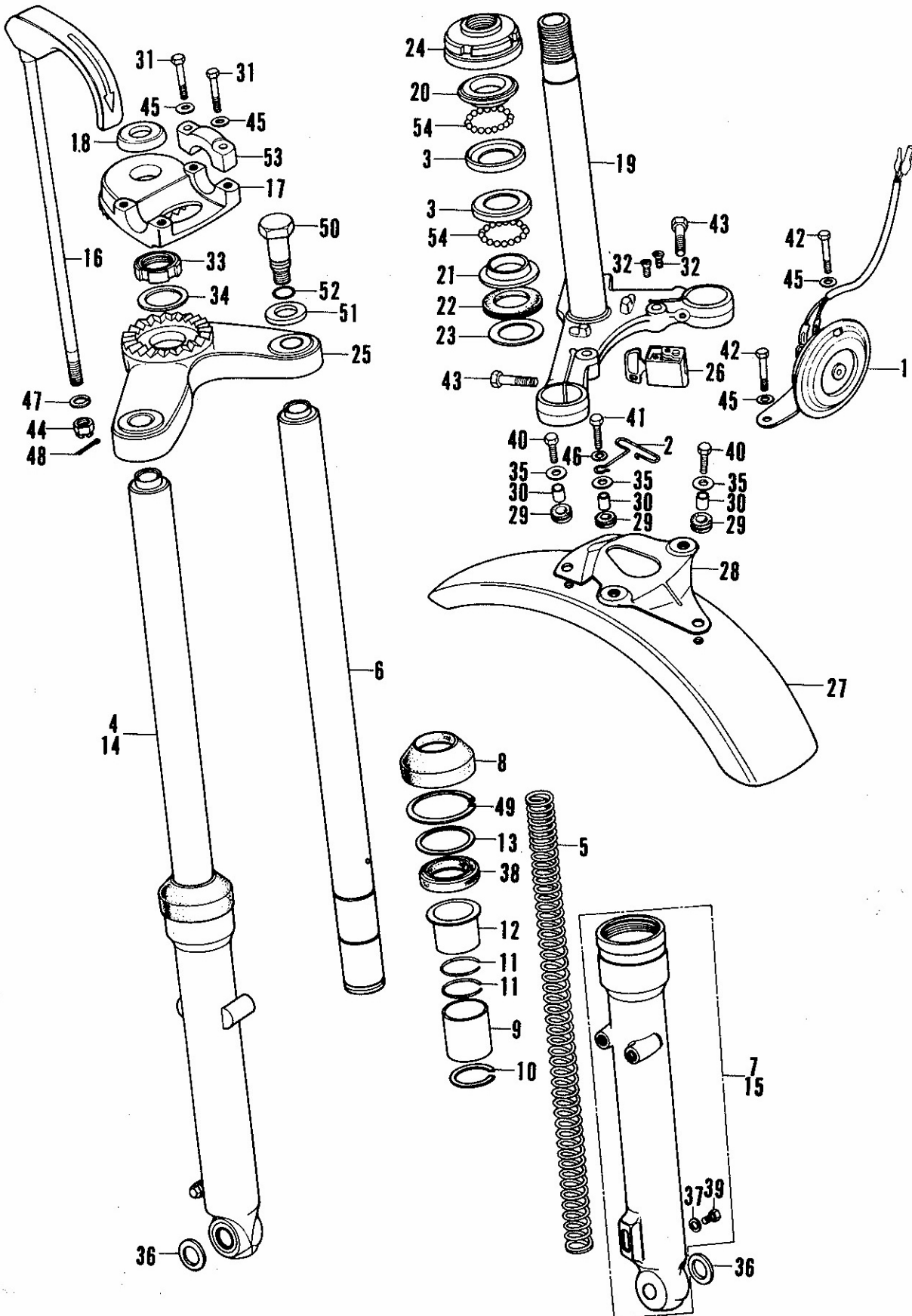
F-2 Head Light · Speedometer



## F-2 Head Light - Speedometer

Ref. No.	Part No.	Description	Reqd. No. ST90	Remarks
1	33100-243-671	LIGHT ASSY., head (STANLEY).....	1	
2	33101-243-670	RIM, head light.....	1	
3	33103-200-020	SCREW, beam adjust.....	1	
4	33102-283-000	SCREW, unit holder.....	2	
5	33107-200-023	SPRING, beam adjust.....	1	
6	33117-200-023	NUT, beam adjust.....	1	
7	33120-243-671	UNIT, head light.....	1	
8	33128-200-033	NUT, unit holder.....	2	
9	33741-340-670	REFLECTOR, front reflex.....	2	
10	33743-329-670	BASE, front reflector.....	2	
11	34902-202-000	BULB, dash (6V-3W).....	1	
12	34908-230-000	BULB, speedometer.....	3	
13	37200-128-671	SPEEDOMETER ASSY. (NIPPON SEIKI).....	1	
14	44830-128-670	CABLE COMP., speedometer.....	1	
15	44831-128-670	CABLE, speedometer inner.....	1	
16	61301-128-670CT	CASE, head light (Off black).....	1	
17	61303-105-000	WASHER, head light.....	2	
18	61304-128-670	STAY, head light case.....	2	
19	61306-128-300	RUBBER, head light.....	2	
20	90120-329-670	BOLT, head light stay.....	2	
21	92000-08025-0B	BOLT, hex., 8 x 25.....	2	
22	93500-05012-0B	SCREW, pan, 5 x 12.....	1	
23	93700-05018-0A	SCREW, oval, 5 x 18.....	1	
24	94101-04000	WASHER, plain, 4 mm.....	1	
25	94101-05000	WASHER, plain, 5 mm.....	1	
26	94101-08000	WASHER, plain, 8 mm.....	2	
27	94111-08000	WASHER, spring, 8 mm.....	2	
28	94251-05000	PIN, lock, 5 mm.....	2	

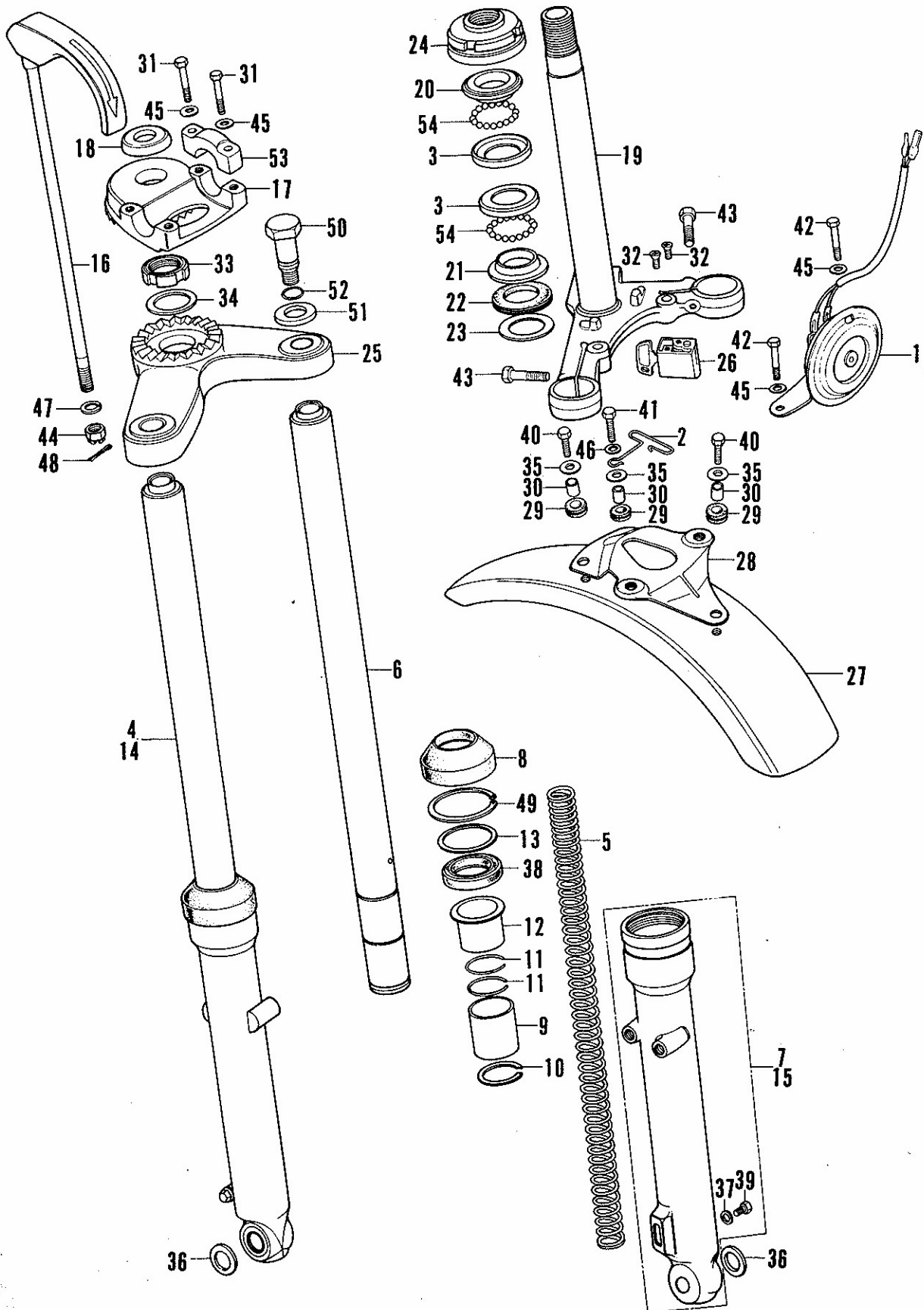
F-3 Steering Stem - Front Fender - Front Cushion



### F-3 Steering Stem - Front Fender - Front Cushion

Ref. No.	Part No.	Description	Reqd. No. ST90	Remarks
1	38100-128-004	HORN ASSY. (MITSUBA).....	1	
2	45465-128-000	CLIP, cable.....	1	
3	50301-041-305	RACE, steering top ball.....	2	
4	51400-128-000	FORK ASSY., right front.....	1	
5	51401-128-000	SPRING, front cushion.....	2	
6	51410-116-671	PIPE, front fork.....	2	
7	51420-116-671	PIPE COMP., front fork bottom.....	1	
8	51425-118-013	DUST-SEAL, front fork.....	2	
9	51442-229-000	PISTON, front fork.....	2	
10	51445-028-000	RING, snap, front fork piston.....	2	
11	51446-028-000	RING, piston stopper.....	4	
12	51451-118-000	GUIDE, front fork pipe.....	2	
13	51452-118-000	RING, back up.....	2	
14	51500-128-000	FORK ASSY., front.....	1	
15	51520-116-671	PIPE COMP., front fork bottom.....	1	
16	53130-128-670	LEVER COMP., handle clamp.....	1	
17	53132-102-000	HOLDER, under, handle pipe.....	1	
18	53133-102-000	WASHER, handle clamp lever.....	1	
19	53200-128-670AU	STEM COMP., steering (Cloud silver).....	1	
20	53211-028-000	RACE, steering top cone.....	1	
21	53217-030-305	RACE, steering bottom cone.....	1	
22	53214-001-010	SEAL, steering head dust.....	1	
23	53215-001-000	WASHER, steering head dust seal.....	1	
24	53220-074-000	THREAD, steering head top.....	1	
25	53231-102-000	BRIDGE, fork top.....	1	
26	53600-001-020	LOCK, steering handle.....	1	
27	61100-128-670XW	FENDER, front (Chrome plate).....	1	
28	61102-128-000	BRACKET, front fender.....	1	
29	80101-283-000	RUBBER, fender cushion.....	3	
30	84706-286-000	COLLAR, number bracket.....	3	

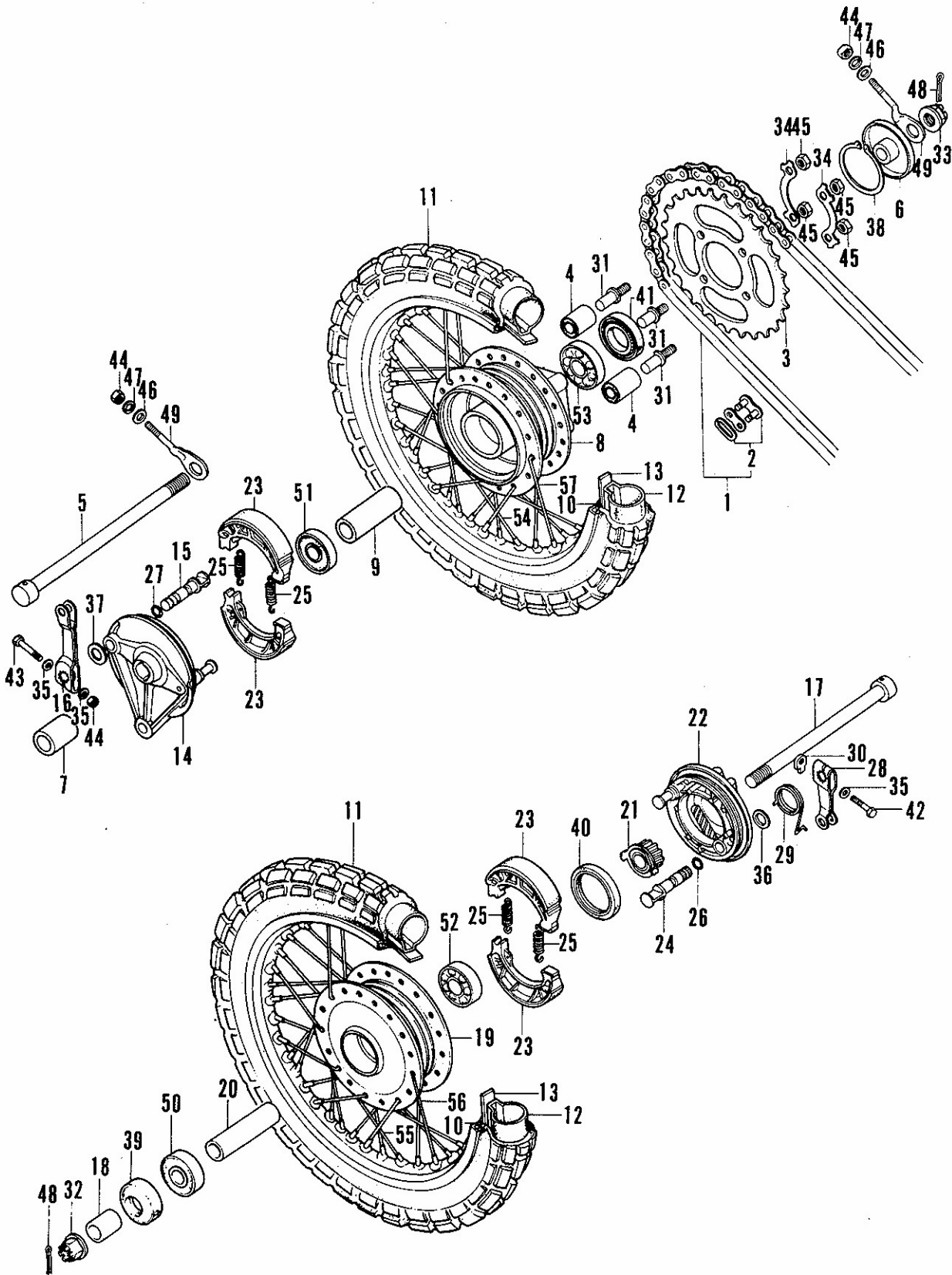
F-3 Steering Stem - Front Fender - Front Cushion



### F-3 Steering Stem · Front Fender · Front Cushion

Ref. No.	Part No.	Description	Reqd. No. ST90	Remarks
31	90117-065-000	BOLT, hex., 6 x 28.....	4	
32	90164-028-000	SCREW, U lock, 6 x 12.....	2	
33	90304-030-000	NUT, steering stem.....	1	
34	90503-011-000	WASHER, steering stem nut.....	1	
35	90525-030-000	WASHER B, handle holder setting.....	3	
36	90528-229-000	WASHER, 12.5 mm.....	2	
37	90543-273-000	PACKING, front fork cock.....	2	
38	90756-118-003	OIL-SEAL, front fork.....	2	
39	92000-06008	BOLT, hex., 6 x 8.....	2	
40	92000-06016	BOLT, hex., 6 x 16.....	2	
41	92000-06020	BOLT, hex., 6 x 20.....	1	
42	92000-06032	BOLT, hex., 6 x 32.....	2	
43	92000-08032-0B	BOLT, hex., 8 x 32.....	2	
44	94012-14000-0S	NUT, castle, 14 mm.....	1	
45	94101-06000	WASHER, plain, 6 mm.....	6	
46	94101-06200	WASHER, plain, 6 mm.....	1	
47	94111-14000	WASHER, spring, 14 mm.....	1	
48	94201-30280	PIN, split, 3 x 28.....	1	
49	94521-40000	CIR-CLIP, internal, 40 mm.....	2	
50	94605-10200	BOLT B, fork.....	2	
51	94606-13000	WASHER, fork bolt, 13 mm.....	2	
52	94608-10000	O-RING, 8.4 x 2.4.....	2	
53	95014-21100	HOLDER A1, upper.....	2	
54	96211-06000	BALL, steel, # 6.....	42	

F-4 Front & Rear Wheel

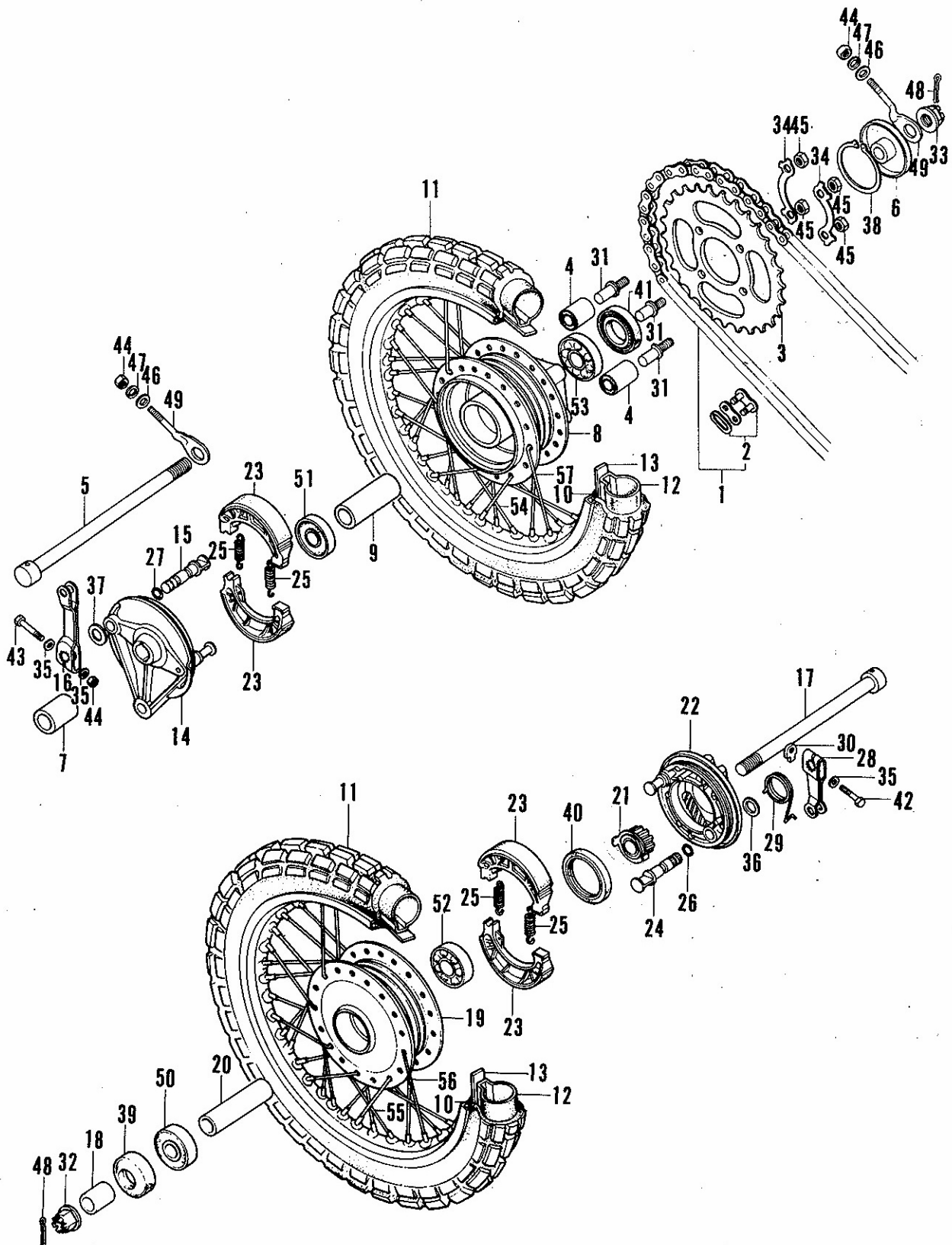




### F-4 Front & Rear Wheel

Ref. No.	Part No.	Description	Reqd. No. ST90	Remarks
1	40530-128-671	CHAIN, drive (DAIDO · DID428D-94L).....	1	
2	40531-205-003	JOINT, drive chain (DAIDO).....	1	
3	41201-107-670	SPROCKET, final driven (40T).....	1	
4	41241-222-000	BUSH, rear wheel dumper.....	4	
5	42301-107-020	AXLE, rear wheel.....	1	
6	42304-107-000	COLLAR COMP., rear wheel side.....	1	
7	42313-074-010	COLLAR, rear brake panel side.....	1	
8	42601-128-000	HUB, rear wheel.....	1	
9	42620-107-010	COLLAR, rear axle distance.....	1	
10	42701-118-013	RIM, rear wheel.....	2	
11	42711-128-003	TIRE, rear wheel (BS · 3.00-14).....	2	
	42711-128-006	TIRE, rear wheel (NITTO · 3.00-14).....	2	
12	42712-128-003	TUBE, rear wheel (BS).....	2	
	42712-128-006	TUBE, rear wheel (NITTO).....	2	
13	42713-128-003	FLAP, tire (BS).....	2	
	42713-128-006	FLAP, tire (NITTO).....	2	
14	43100-128-000	PANEL, rear brake.....	1	
15	43141-107-010	CAM, rear brake.....	1	
16	43410-128-000	ARM, rear brake.....	1	
17	44301-107-000	AXLE, front wheel.....	1	
18	44311-229-000	COLLAR, front wheel side.....	1	
19	44601-116-670	HUB, front wheel.....	1	
20	44620-030-000	COLLAR, front axle distance.....	1	
21	44804-128-000	GEAR COMP., speedometer.....	1	
22	45010-128-000	PANEL COMP., front.....	1	
23	45120-001-010	SHOE COMP., brake.....	4	
24	45131-041-000	CAM, front brake.....	1	
25	45133-028-000	SPRING, brake shoe.....	4	
26	45134-121-000	SEAL, dust.....	1	
27	45134-250-000	SEAL, brake cam dust.....	1	
28	45410-051-000	ARM, front brake.....	1	
29	45435-121-010	SPRING, brake arm return.....	1	
30	45436-001-000	NUT, front brake setting.....	1	

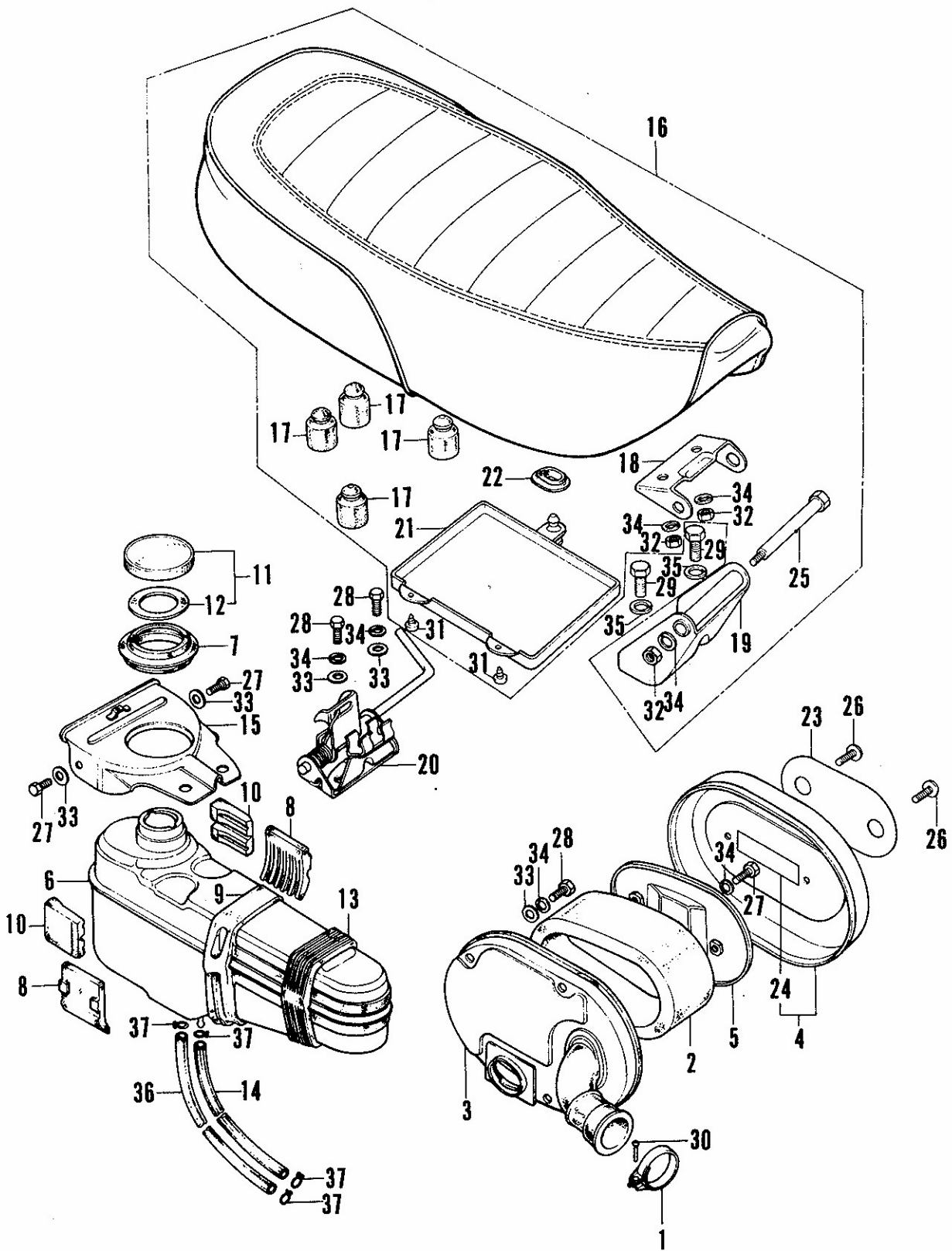
# F-4 Front & Rear Wheel



### F-4 Front & Rear Wheel

Ref. No.	Part No.	Description	Reqd. No. ST90	Remarks
31	90128-216-000	BOLT, driven sprocket fixing.....	4	
32	90305-051-000	NUT, axle.....	1	
33	90305-107-010	NUT, rear axle.....	1	
34	90523-222-000	WASHER, tungued, 8mm.....	2	
35	90525-001-000	WASHER, brake arm.....	3	
36	90548-121-000	WASHER, plain, 12 mm.....	1	
37	90549-121-000	WASHER, plain, 14 mm.....	1	
38	90664-216-000	CIR-CLIP, 58 mm.....	1	
39	90755-229-000	OIL-SEAL, 2 x 37 x 7.....	1	
40	91251-121-000	OIL-SEAL, 47 x 60 x 7.....	1	
41	91257-230-000	OIL-SEAL, 28 x 42 x 7.....	1	
42	92000-06025	BOLT, hex., 6 x 25.....	1	
43	92000-06036	BOLT, hex., 6 x 36.....	1	
44	94001-06000	NUT, hex., 6 mm.....	3	
45	94031-08000	NUT, hex., 8 mm.....	4	
46	94101-06000	WASHER, plain, 6 mm.....	2	
47	94111-06000	WASHER, plain, 6 mm.....	2	
48	94201-30250	PIN, split, 3 x 25.....	2	
49	95014-12100	ADJUSTER C, chain.....	2	
50	96100-63010	BEARING, radial ball, 6301.....	1	
51	96140-62020	BEARING, ball, 6202R.....	1	
52	96140-63010	BEARING, radial ball, 6301R.....	1	
53	96140-63020	BEARING, ball, 6302R.....	1	
54	97257-42087-10	SPORK A, 10 x 123.5.....	18	
55	97283-31091-10	SPORK A, 11 x 125.5.....	18	
56	97600-31090-10	SPORK B, 11 x 125.....	18	
57	97657-42086-10	SPORK B, 10 x 123.....	18	

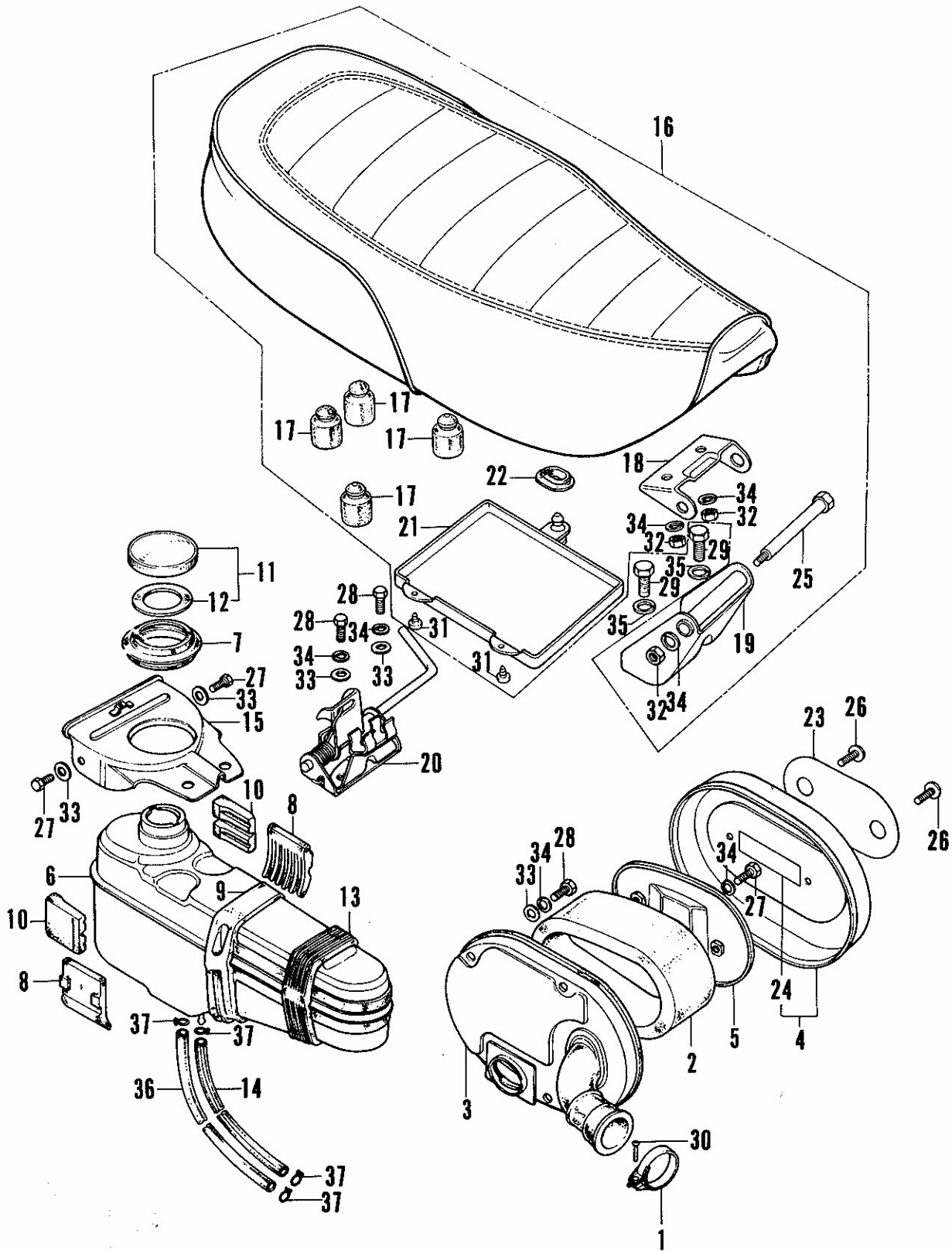
F-5 Air Cleaner · Fuel Tank · Seat



### F-5 Air Cleaner · Fuel Tank · Seat

Ref. No.	Part No.	Description	Reqd. No. ST90	Remarks
1	17255-098-000	BAND, air cleaner connecting.....	1	
2	17310-128-000	ELEMENT, air cleaner.....	1	
3	17311-128-000AU	CASE, air cleaner (Cloud silver).....	1	
4	17312-128-670XW	CAP, air cleaner (Chrome plate).....	1	
5	17315-128-300	PLATE, element seal.....	1	
6	17500-098-020B	TANK COMP., fuel (Black).....	1	
7	17512-086-010	PACKING, filler neck.....	1	
8	17611-098-310	CUSHION, fuel tank.....	2	
9	17612-128-000	BAND A, fuel tank.....	1	
10	17614-128-000	RUBBER, fuel tank.....	2	
11	17620-041-000	CAP COMP., fuel filler.....	1	
12	17631-001-000	PACKING, fuel filler cap.....	1	
13	17670-098-010	BAND, fuel tank.....	1	
14	17681-128-000	TUBE, reserve fuel.....	1	
15	50665-128-000	LID, fuel tank.....	1	
16	77100-128-670A	SEAT ASSY., single (Black).....	1	
17	77204-128-000	RUBBER A, seat cushion.....	4	
18	77210-126-000B	BRACKET A, seat (Black).....	1	
19	77211-128-000B	BRACKET B, seat (Black).....	1	
20	77230-128-000	CATCH COMP., seat.....	1	
21	77250-342-300	LID, seat under.....	1	
22	83551-300-000	GROMMET, air cleaner case.....	1	
23	87126-128-670	EMBLEM, air cleaner case cover.....	1	
24	87506-340-670	MARK, air cleaner caution.....	1	
25	90101-001-010	PIN, seat hinge.....	1	

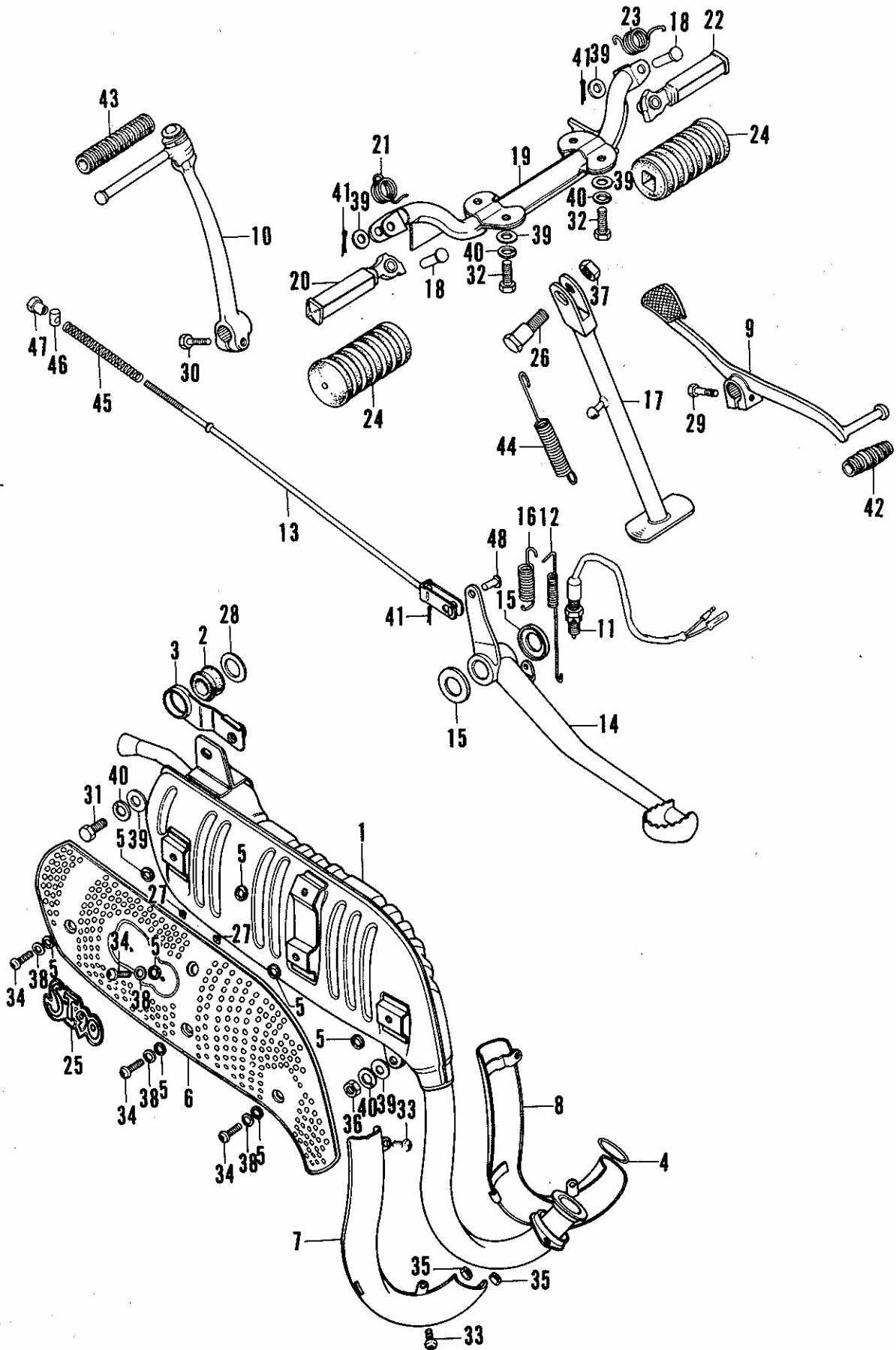
F-5 Air Cleaner · Fuel Tank · Seat



**F-5 Air Cleaner - Fuel Tank - Seat**

Ref. No.	Part No.	Description	Reqd. No. ST90	Remarks
26	90113-128-000	BOLT B, air cleaner set.....	2	
27	92000-06012	BOLT, hex., 6 x 12.....	3	
28	92000-06016	BOLT, hex., 6 x 16.....	5	
29	92000-08016-0A	BOLT, hex., 8 x 16.....	2	
30	93500-04025-0A	SCREW, pan, 4 x 25.....	1	
31	93901-25080	SCREW, tapping, 5 x 8.....	2	
32	94001-06000	NUT, hex., 6 mm.....	3	
33	94101-06000	WASHER, plain, 6 mm.....	7	
34	94111-06000	WASHER, spring, 6 mm.....	9	
35	94111-08000	WASHER, spring, 8 mm.....	2	
36	95001-55280-40	TUBE, fuel, 5.5 x 280.....	1	
37	95002-02100	CLIP, tube, B10.....	4	

F-6 Muffler · Main Stand · Step Bar

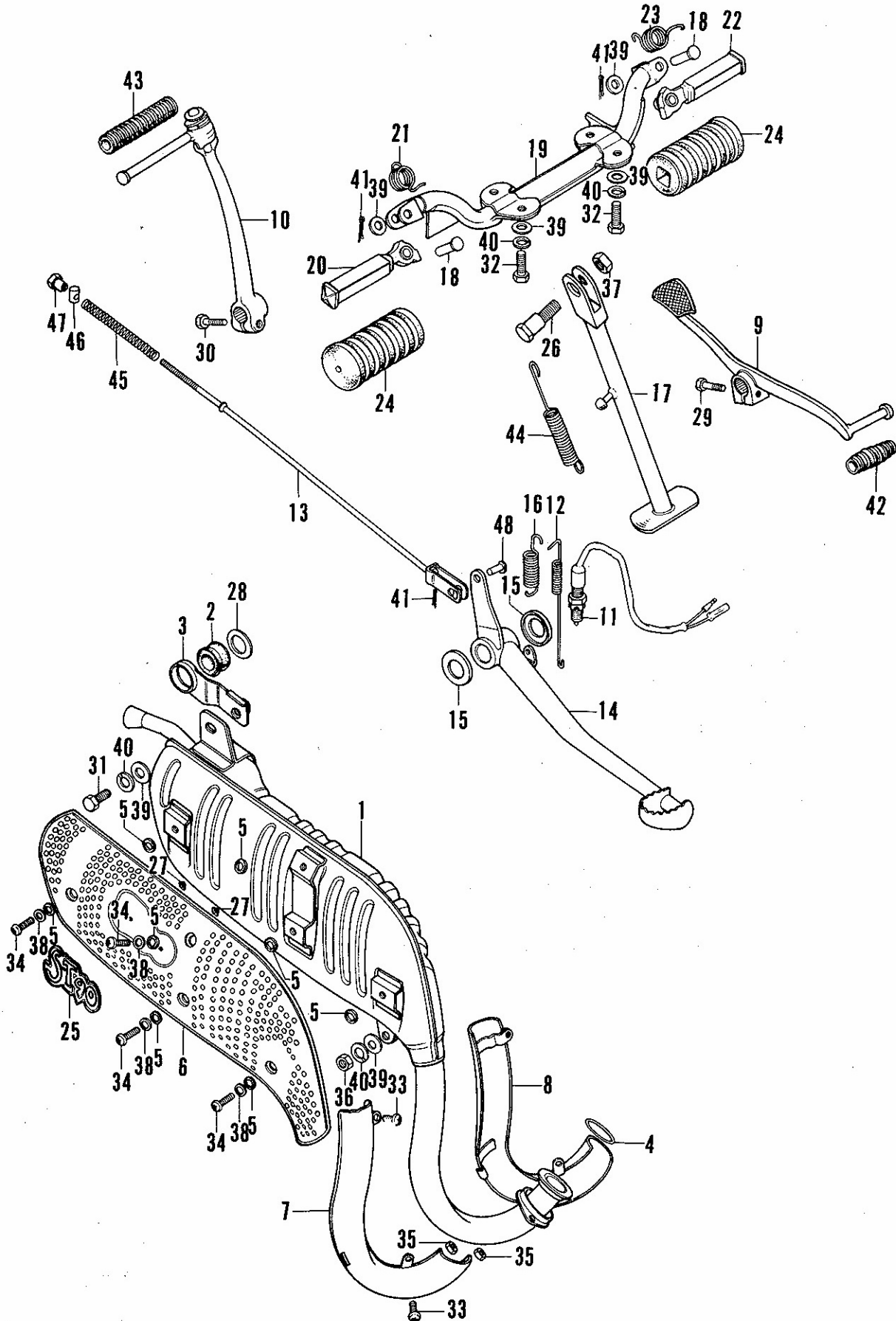




### F-6 Muffler · Main Stand · Step Bar

Ref. No.	Part No.	Description	Reqd. No. ST90	Remarks
1	18100-128-670CT	MUFFLER COMP., exhaust (Off black).....	1	
2	18113-128-000	RUBBER, muffler stay.....	1	
3	18114-128-000CT	STAY, muffler rear (Off black).....	1	
4	18291-028-000	GASKET, exhaust pipe.....	1	
5	18292-329-000	PACKING, protector.....	8	
6	18400-128-000CT	PROTECTOR, muffler (Off black).....	1	
7	18411-128-000CT	PROTECTOR A, exhaust pipe (Off black).....	1	
8	18412-128-000CT	PROTECTOR B, exhaust pipe (Off black).....	1	
9	24700-028-670	PEDAL, gear change.....	1	
10	28300-118-000	ARM ASSY., kick starter.....	1	
11	35350-292-003	SWITCH ASSY., stop.....	1	
12	35357-041-000	SPRING, stop switch.....	1	
13	43451-128-010	ROD, rear brake.....	1	
14	46500-128-000	PEDAL COMP., brake.....	1	
15	46502-128-000	COLLAR B, brake pedal.....	2	
16	46514-028-000	SPRING, brake pedal.....	1	
17	50530-128-000B	BAR, side stand (Black).....	1	
18	50603-033-000	PIN, step bar joint.....	2	
19	50610-128-670B	BAR COMP., step (Black).....	1	
20	50616-331-000	ARM COMP., right step .....	1	
21	50617-283-000	SPRING, right step return.....	1	
22	50642-331-000	ARM COMP., left step.....	1	
23	50644-283-000	SPRING, left step return.....	1	
24	50661-331-770	RUBBER, step.....	2	
25	87122-128-000	EMBLEM, muffler protector.....	1	

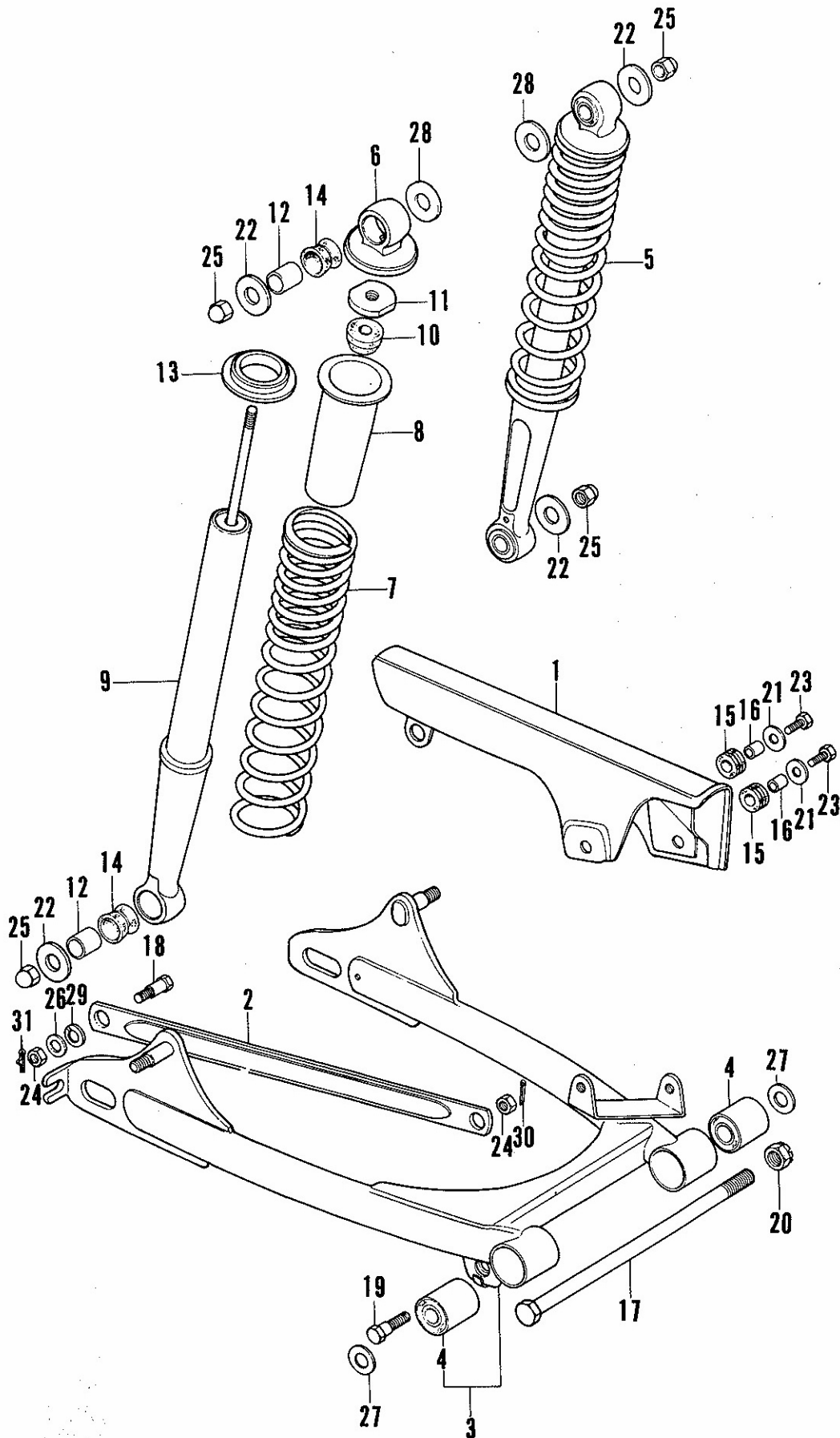
F-6 Muffler · Main Stand · Step Bar



### F-6 Muffler · Main Stand · Step Bar

Ref. No.	Part No.	Description	Reqd. No. ST90	Remarks
26	90108-283-000	SCREW, side stand pivot.....	1	
27	90313-329-000	NUT, push, 3 mm.....	2	
28	90501-128-000	WASHER, 17 mm.....	1	
29	92000-06020	BOLT, hex., 6 x 20.....	1	
30	92000-06022	BOLT, hex., 6 x 22.....	1	
31	92000-08016-0A	BOLT, hex., 8 x 16.....	1	
32	92000-08025-0A	BOLT, hex., 8 x 25.....	4	
33	93500-05012-0A	SCREW, pan, 5 x 12.....	2	
34	93500-06014-02	SCREW, pan, 6 x 14.....	4	
35	94001-06000	NUT, hex., 6 mm.....	2	
36	94030-08000	NUT, hex., 8 mm.....	1	
37	94002-10000-0S	NUT, hex., 10 mm.....	1	
38	94101-06200	WASHER, plain, 6 mm.....	4	
39	94101-08000	WASHER, plain, 8 mm.....	8	
40	94111-08000	WASHER, spring, 8 mm.....	6	
41	94201-16150	PIN, split, 1.6 mm.....	3	
42	95011-40000	RUBBER, change pedal.....	1	
43	95011-51000	RUBBER, kick starter.....	1	
44	95014-72401	SPRING D, side stand.....	1	
45	95014-73100	SPRING A, brake rod.....	1	
46	95015-31000	JOINT A, brake arm.....	1	
47	95015-41000	NUT A, adjust.....	1	
48	95015-52000	PIN B, joint.....	1	

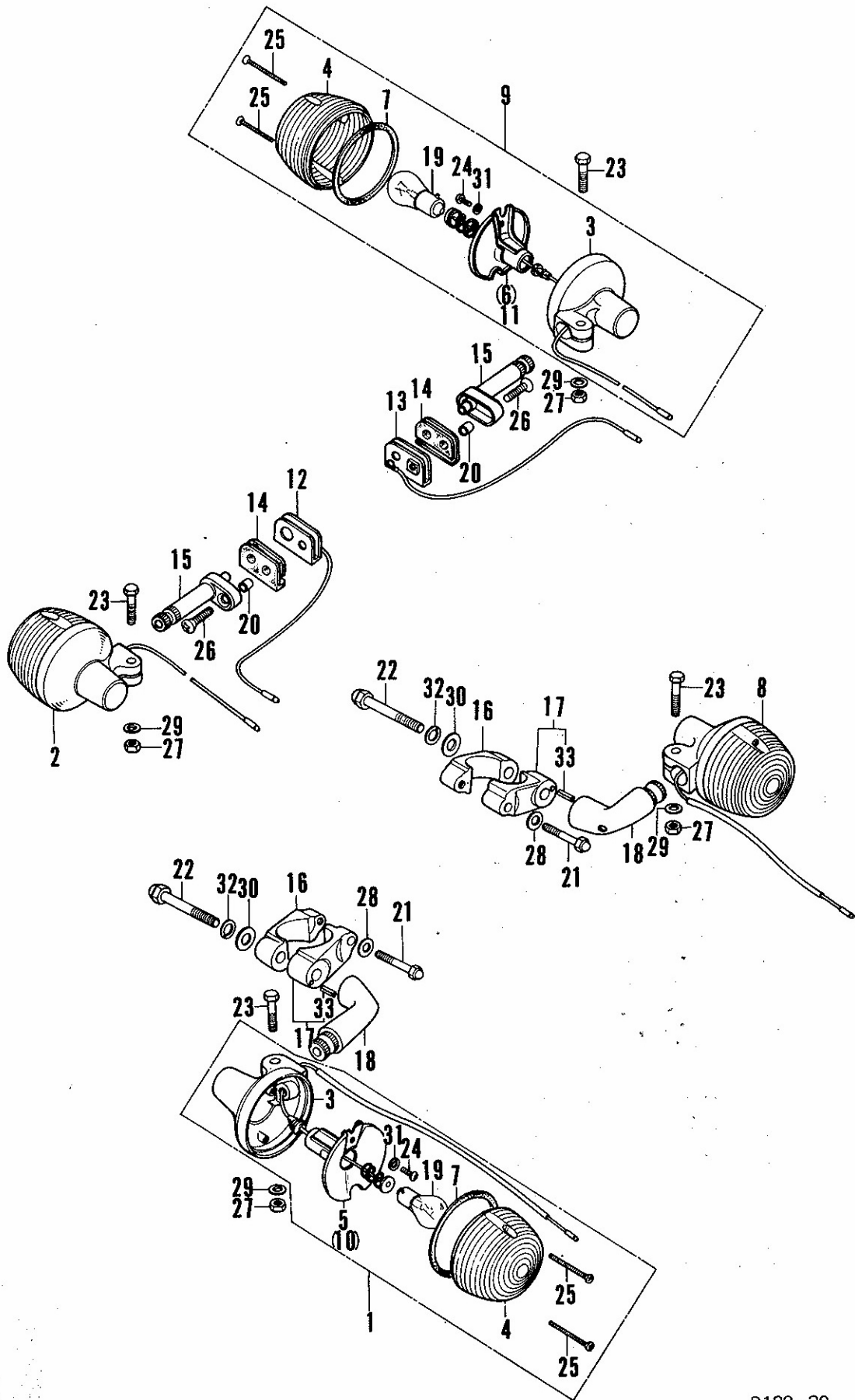
F-7 Rear Fork · Rear Cushion · Chain Case



### F-7 Rear Fork - Rear Cushion - Chain Case

Ref. No.	Part No.	Description	Reqd. No. ST90	Remarks
1	40510-128-000CT	CASE, drive chain (Off black).....	1	
2	43432-028-010	ARM, rear brake stopper.....	1	
3	52100-128-670AU	FORK COMP., rear (Cloud silver).....	1	
4	52181-001-300	BUSH, rear fork pivot rubber.....	2	
5	52400-128-000	CUSHION ASSY., rear.....	2	
6	52401-028-000	METAL, rear cushion upper.....	2	
7	52401-128-000	SPRING, rear cushion.....	2	
8	52409-108-761	GUIDE, rear cushion.....	2	
9	52430-128-000	DAMPER COMP., rear.....	2	
10	52475-051-000	RUBBER, rear cushion stopper.....	2	
11	52481-115-003	NUT, rear cushion lock.....	2	
12	52486-056-000	COLLAR, rear cushion rubber bush.....	4	
13	52486-115-003	SEAT, rear cushion spring.....	2	
14	52489-056-000	BUSH, rear cushion rubber.....	4	
15	80101-283-000	RUBBER, rear fender cushion.....	2	
16	84706-286-000	COLLAR, number bracket.....	2	
17	90121-118-000	BOLT, rear fork pivot.....	1	
18	90127-001-010	BOLT, rear brake torque.....	1	
19	90133-303-000	BOLT, rear brake stopper arm.....	1	
20	90351-268-000	NUT, self lock, 10 mm.....	1	
21	90525-030-000	WASHER B, handle holder setting.....	2	
22	90527-230-000	WASHER, 10.3 mm.....	4	
23	92000-06014	BOLT, hex., 6 x 14.....	2	
24	94001-08000-0S	NUT, hex., 8 mm.....	2	
25	94021-10000-0S	NUT, hex., cap, 10 mm.....	4	
26	94101-08000	WASHER, plain, 8 mm.....	1	
27	94101-10000	WASHER, plain, 10 mm.....	2	
28	94101-12000	WASHER, plain, 12 mm.....	2	
29	94111-10000	WASHER, spring, 10 mm.....	1	
30	94201-20150	PIN, split, 2 mm.....	1	
31	94251-08000	PIN, lock, 8 mm.....	1	

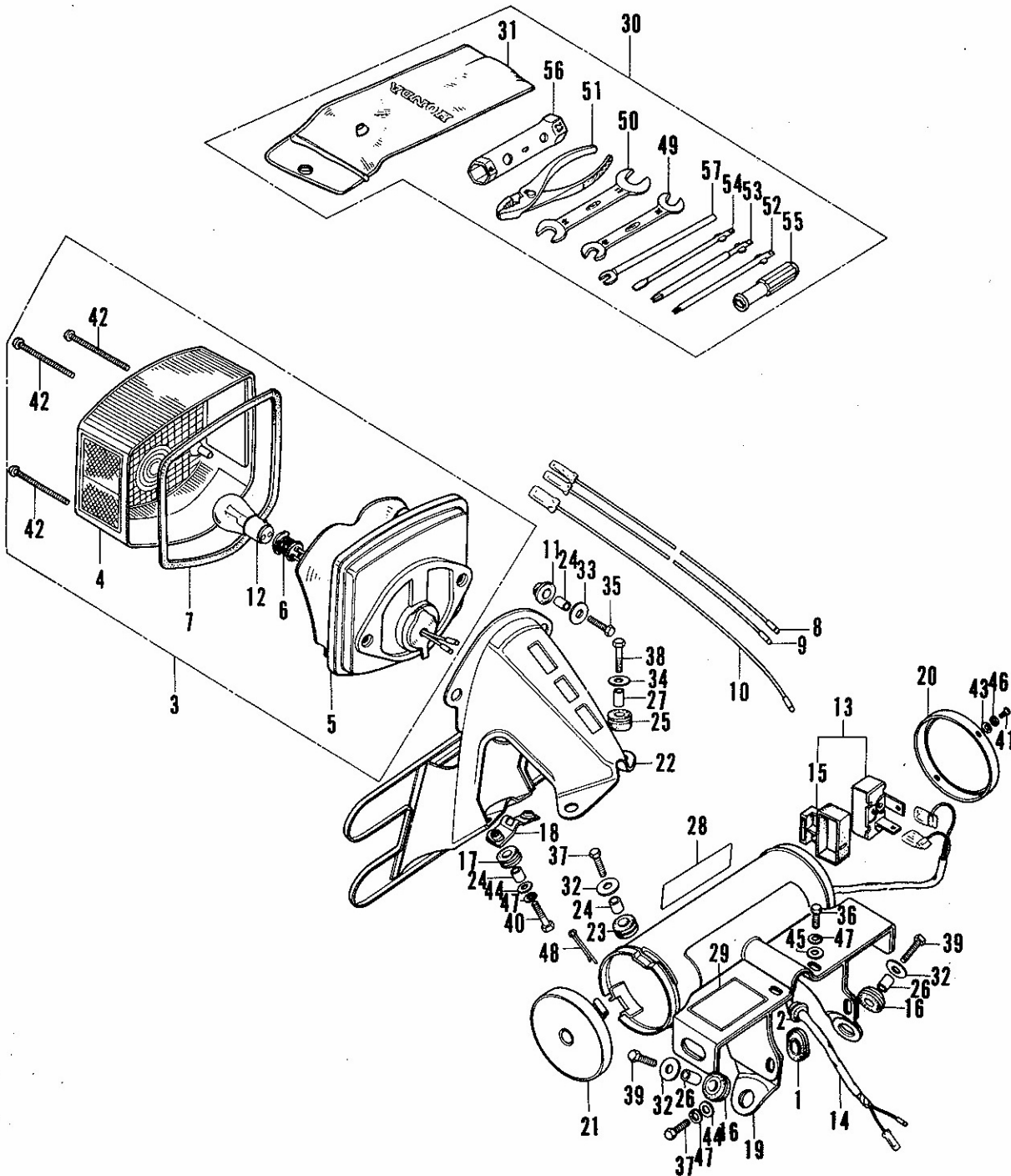
F-8 R. & L. Winker (STANLEY)



F-8 R. & L. Winker (STANLEY)

Ref. No.	Part No.	Description	Reqd. No. ST90	Remarks
1	33400-056-671	WINKER ASSY., right front.....	1	
2	33400-128-671	WINKER ASSY., right.....	1	
3	33401-292-003	BASE, winker.....	4	
4	33402-268-671	LENS, winker.....	4	
5	33410-056-671	SOCKET COMP., right front winker.....	1	
6	33410-128-671	SOCKET COMP., right winker.....	1	
7	33443-268-671	PACKING, winker lens.....	4	
8	33450-056-671	WINKER ASSY., left front.....	1	
9	33450-128-671	WINKER ASSY., left.....	1	
10	33460-056-671	SOCKET COMP., left front winker.....	1	
11	33460-128-671	SOCKET COMP., left winker.....	1	
12	33604-128-000	STOPPER, right winker.....	1	
13	33605-128-000	STOPPER, left winker.....	1	
14	33606-074-010	RUBBER, rear winker mount.....	2	
15	33607-128-000	STAY, rear winker.....	2	
16	33714-128-670	HOLDER A, winker.....	2	
17	33715-128-670	HOLDER B, winker.....	2	
18	33716-128-670	HOLDER C, winker.....	2	
19	34905-056-671	BULB, winker (6V-18W).....	4	
20	80108-061-010	COLLAR, rear fender.....	2	
21	92500-06032-0B	BOLT, hex., cap, 6 x 32.....	2	
22	92500-08050-0B	BOLT, hex., cap, 8 x 50.....	2	
23	93000-06028-02	BOLT, hex., 6 x 28.....	4	
24	93500-05008-0A	SCREW, pan, 5 x 8.....	4	
25	93700-03025-0A	SCREW, oval, 3 x 25.....	8	
26	93700-06025-02	SCREW, oval, 6 x 25.....	2	
27	94001-06000	NUT, hex., 6 mm.....	4	
28	94101-06000	WASHER, plain, 6 mm.....	2	
29	94101-06200	WASHER, plain, 6 mm.....	4	
30	94101-08200	WASHER, plain, 8 mm.....	2	
31	94111-05000	WASHER, spring, 5 mm.....	4	
32	94111-08000	WASHER, spring, 8 mm.....	2	
33	94305-30102	PIN, spring, 3 x 10.....	2	

F-9 Tail Light · Tool Box · Tool-Set

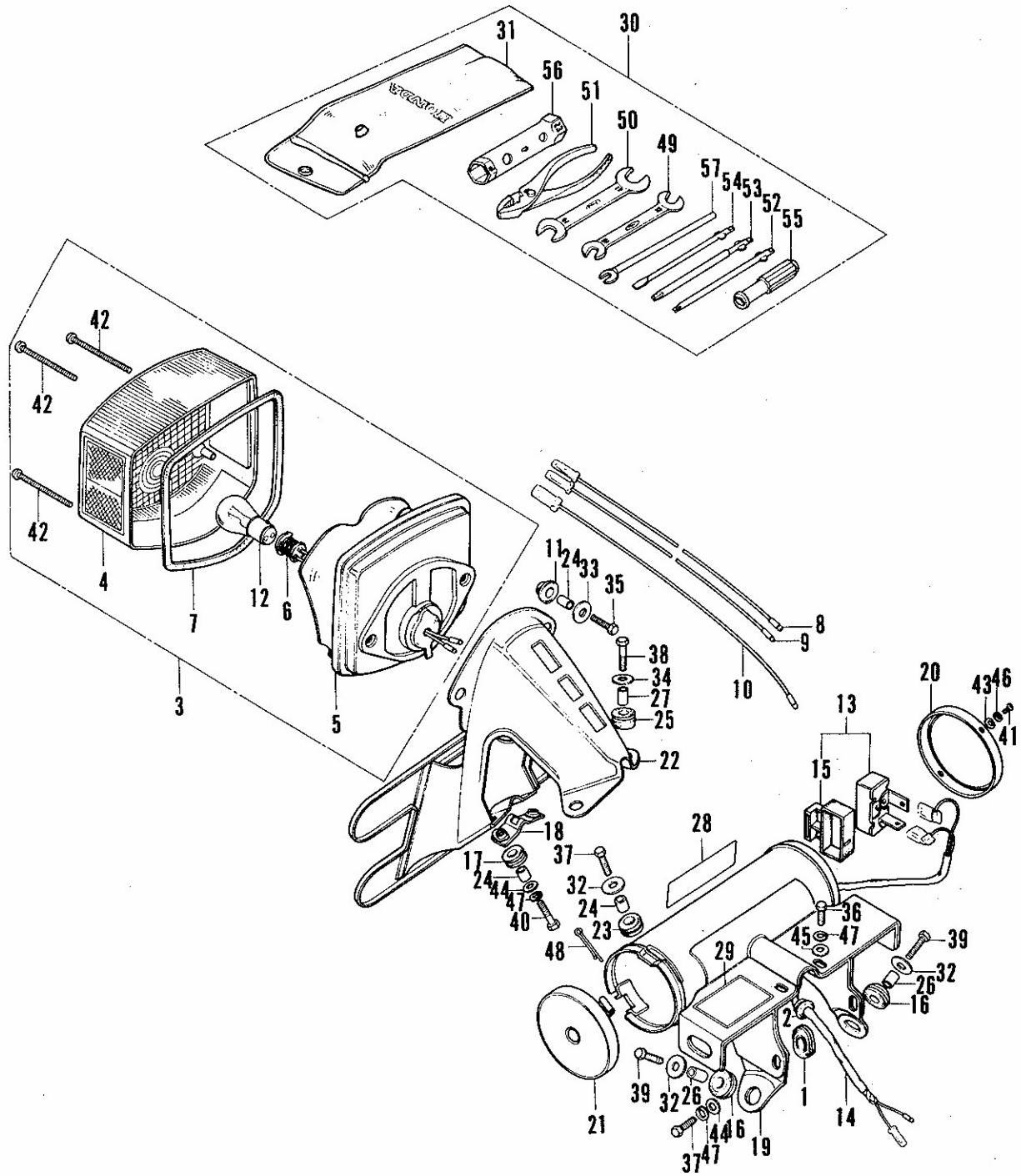




### F-9 Tail Light · Tool Box · Tool-Set

Ref. No.	Part No.	Description	Reqd. No. ST90	Remarks
1	17247-240-000	GROMMET A, air cleaner case.....	2	
2	32983-011-000	GROMMET, wire cord.....	1	
3	33701-329-671	UNIT, tail light (STANLEY).....	1	
4	33702-329-671	LENS COMP., tail light.....	1	
5	33703-329-670	BASE COMP., tail light.....	1	
6	33708-341-671	CORD COMP., tail light.....	1	
7	33709-092-671	PACKING, tail light lens.....	1	
8	33711-107-670	SUB-CORD, tail light.....	1	
9	33712-107-670	SUB-CORD, stop light.....	1	
10	33712-128-670	SUB-CORD, tail light earth.....	1	
11	33719-077-671	PACKING B, tail light base.....	2	
12	34906-329-671	BULB, stop & tail (6V-32/3CP).....	1	
13	38300-089-671	RELAY COMP., winker..... (To be locally purchased in U.S.A.)	1	
14	38303-128-670	SUB-CORD, winker.....	1	
15	38306-107-670	SUSPENSION, winker relay.....	1	
16	55106-300-000	RUBBER, oil tank.....	2	
17	80101-283-000	RUBBER, rear fender cushion.....	2	
18	80109-118-770	PLATE A, number bracket.....	1	
19	83500-128-000CT	BOX COMP., tool (Off black).....	1	
20	83542-128-000	CAP, left tool box.....	1	
21	83547-128-000	CAP COMP., right tool box.....	1	
22	84701-128-670CT	BRACKET, number plate (Off black).....	1	
23	84705-292-000	RUBBER, number bracket cushion.....	2	
24	84706-286-000	COLLAR, number bracket.....	6	
25	84905-118-000	RUBBER, number bracket cushion.....	2	
26	84905-128-000	COLLAR, tool box.....	2	
27	84906-118-000	COLLAR, number bracket.....	2	
28	87505-128-670	MARK, tire caution.....	1	
29	87506-128-670	MARK, battery caution.....	1	
30	89010-128-000	TOOL-SET.....	1	

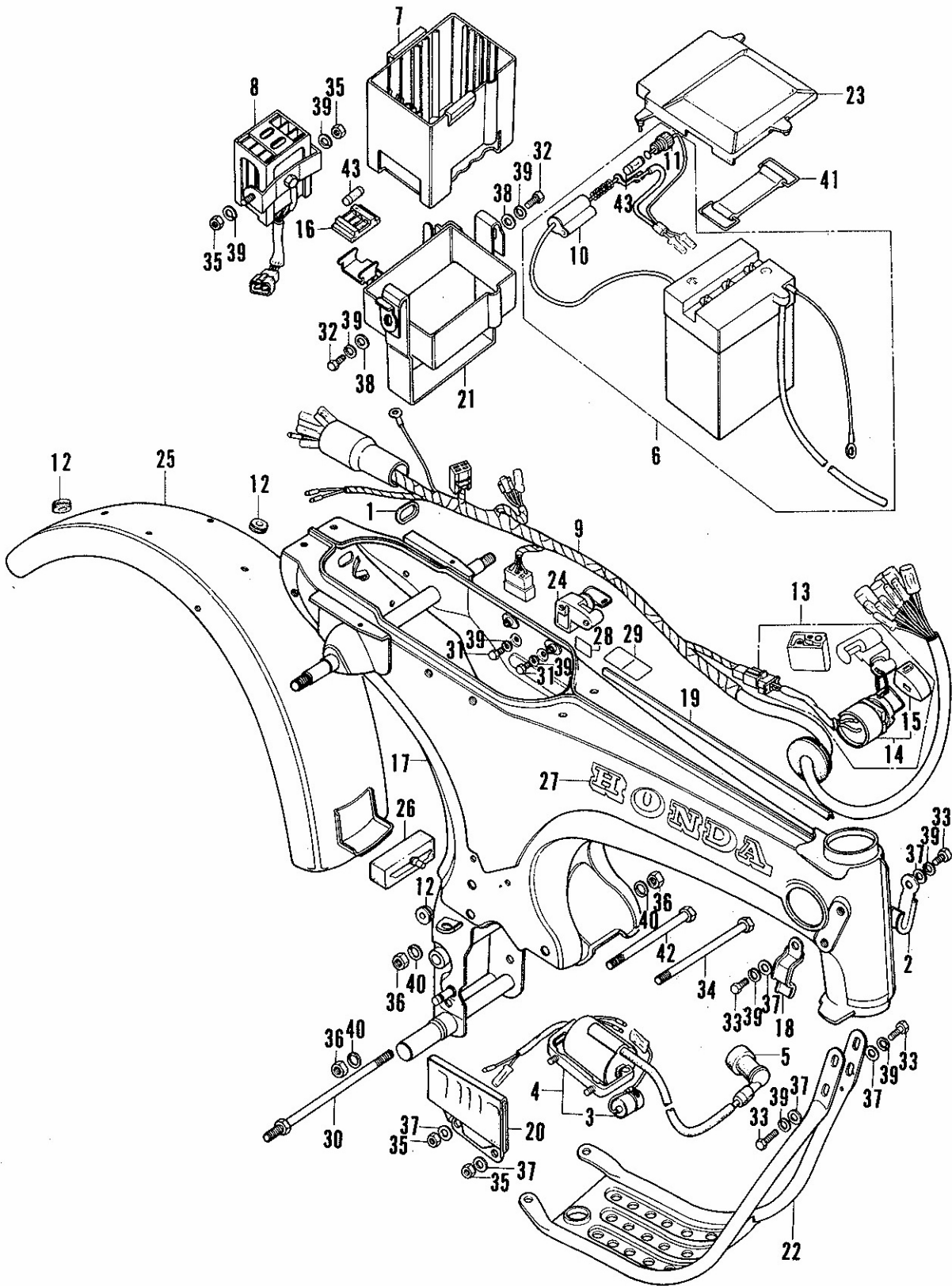
F-9 Tail Light · Tool Box · Tool-Set



### F-9 Tail Light · Tool Box · Tool-Set

Ref. No.	Part No.	Description	Reqd. No. ST90	Remarks
31	89101-300-010	BAG, tool.....	1	
32	90525-030-000	WASHER B, handle holder setting.....	4	
33	90581-310-000	WASHER, plain, 20 mm.....	2	
34	90581-701-000	WASHER, 18 mm.....	2	
35	92000-05020-0A	BOLT, hex., 5 x 20.....	2	
36	92000-06012	BOLT, hex., 6 x 12.....	2	
37	92000-06016	BOLT, hex., 6 x 16.....	4	
38	92000-06020	BOLT, hex., 6 x 20.....	2	
39	92000-06022	BOLT, hex., 6 x 22.....	2	
40	92000-06025	BOLT, hex., 6 x 25.....	2	
41	93500-04008-0A	SCREW, pan, 4 x 8.....	2	
42	93500-04055-4J	SCREW, pan, 4 x 55.....	3	
43	94101-04000	WASHER, plain, 4 mm.....	2	
44	94101-06000	WASHER, plain, 6 mm.....	4	
45	94101-06200	WASHER, plain, 6 mm.....	2	
46	94111-04000	WASHER, spring, 4 mm.....	2	
47	94111-06000	WASHER, spring, 6 mm.....	6	
48	94201-30280	PIN, split, 3 x 28.....	1	
49	99001-10120	SPANNER, 10 x 20.....	1	
50	99001-14170	SPANNER, 14 x 17.....	1	
51	99002-13500	PLIERS, 135.....	1	
52	99003-10000	DRIVER, plus, # 2.....	1	
53	99003-20000	DRIVER, plus, # 3.....	1	
54	99003-30000	DRIVER, minus, # 2.....	1	
55	99003-50000	GRIP.....	1	
56	99004-18190	BOX, wrench, P18 x 19.....	1	
57	99005-02000	BAR B, handle.....	1	

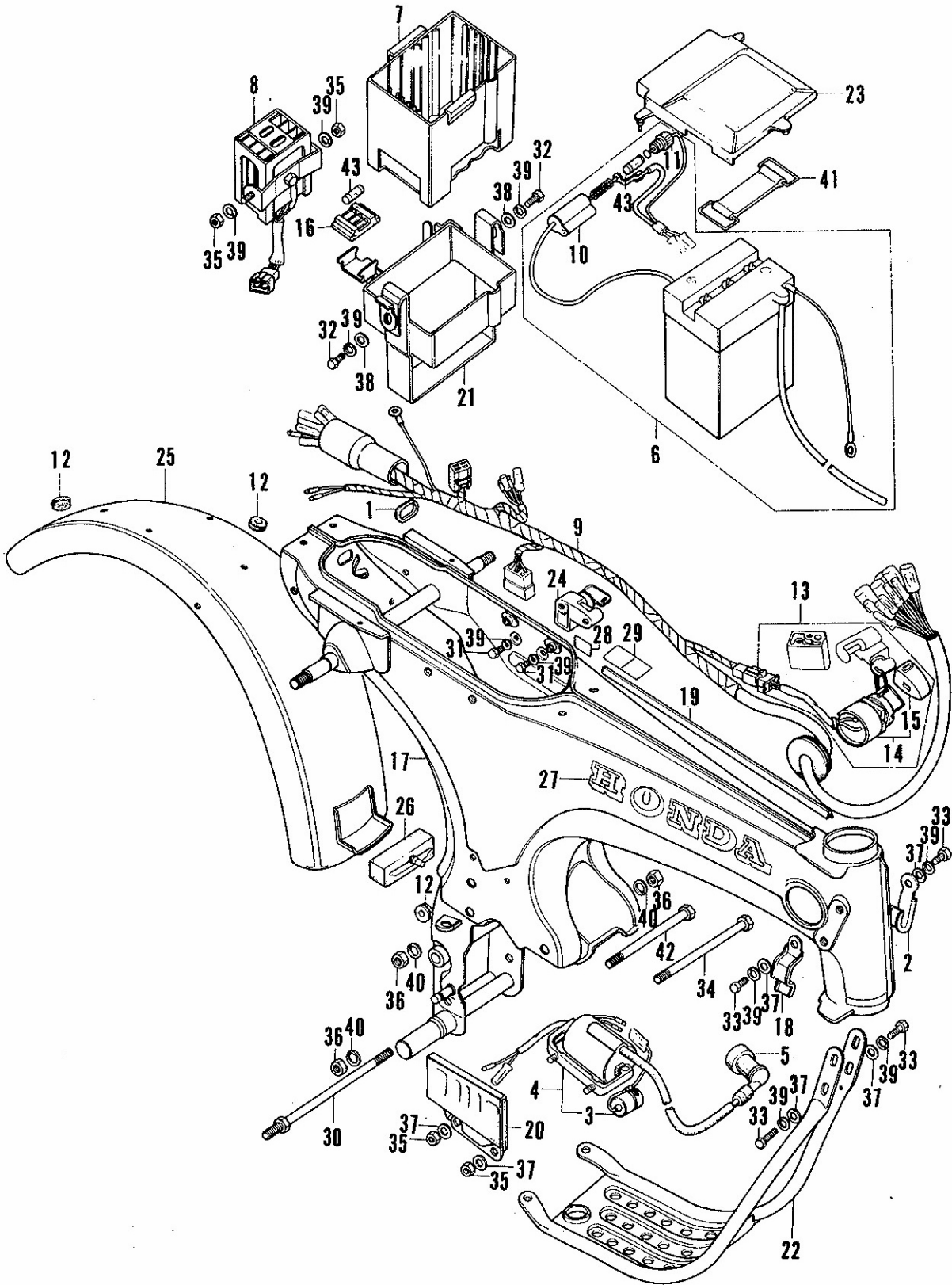
F-10 Frame Body · Wire Harness · Battery



## F-10 Frame Body · Wire Harness · Battery

Ref. No.	Part No.	Description	Reqd. No. ST90	Remarks
1	17247-240-000	GROMMET A, air cleaner case.....	1	
2	22874-128-000	CLIP B, clutch.....	1	
3	30250-052-156	CONDENSER ASSY. ....	1	
4	30500-128-013	COIL ASSY., ignition (TOYO DENSO).....	1	
5	30700-259-810	CAP ASSY., noise suppressor.....	1	
6	31500-128-671	BATTERY ASSY (YUASA · 6V-5.5Ah).....	1	
7	31510-128-000	GUARD, battery.....	1	
8	31700-128-008	RECTIFIER ASSY., selenium (CHINDENGEN).....	1	
9	32100-128-000	HARNESS, wire.....	1	
10	32106-046-000	CONNECTOR A, fuse.....	1	
11	32112-041-000	CONNECTOR B, fuse.....	1	
12	32983-028-000	GROMMET, wire harness.....	3	
13	35030-128-671	SWITCH-KIT, combination (HONDA LOCK).....	1	
14	35100-128-007	SWITCH ASSY., combination.....	1	
15	35112-098-670	CAP, key.....	1	
16	38205-115-000	CASE, fuse.....	1	
17	50100-128-670EC	BODY COMP., frame (Tahitian red).....	1	
	50100-128-670NE	BODY COMP., frame (Mighty green).....	1	
18	50191-098-670	CLIP, wire harness.....	1	
19	50305-098-000	MOUL, frame body.....	1	
20	50310-128-000	PROTECTOR, frame.....	1	
21	50325-128-000	BOX, battery.....	1	
22	50400-128-000	FRAME, sub.....	1	
23	50661-098-010B	LID, frame body (Black).....	1	
24	50710-110-781	HOLDER ASSY., helmet.....	1	
25	80100-128-000XW	FENDER COMP., rear (Chrome plate).....	1	

F-10 Frame Body · Wire Harness · Battery



**F-10 Frame Body · Wire Harness · Battery**

Ref. No.	Part No.	Description	Reqd. No. ST90	Remarks
26	80103-128-000	RUBBER, rear fender set.....	1	
27	87124-128-000	EMBLEM, front body.....	2	
28	87511-323-000	LABEL, helmet holder.....	1	
29	87560-323-670A	MARK, drive caution (White).....	1	
30	90112-128-000	BOLT A, engine hanger.....	1	
31	92000-06010	BOLT, hex., 6 x 10.....	2	
32	92000-06012	BOLT, hex., 6 x 12.....	2	
33	92000-06022	BOLT, hex., 6 x 22.....	4	
34	92000-08120-0A	BOLT, hex., 8 x 120.....	1	
35	94001-06000	NUT, hex., 6 mm.....	4	
36	94030-08000	NUT, hex., 8 mm.....	3	
37	94101-06000	WASHER, plain, 6 mm.....	6	
38	94101-06200	WASHER, plain, 6 mm.....	2	
39	94111-06000	WASHER, spring, 6 mm.....	10	
40	94111-08000	WASHER, spring, 8 mm.....	3	
41	95012-13000	BAND B2, battery.....	1	
42	95300-08111	BOLT, hex., 8 x 111.....	1	
43	98200-11500	FUSE, 15A.....	2	





## PART NO. INDEX

Part No.	Page	Part No.	Page	Part No.	Page
11000		14000		17000	
11100-128-000	21	14101-128-000	7	17111-128-000	3
11191-128-000	21	14311-028-010	7	17119-046-000	3
11200-128-000	21	14321-028-000	21	17247-240-000	51
11330-128-670	11	14401-028-003	21		55
11341-121-000	15	14431-028-010	7	17255-098-000	39
11361-128-000	15	14451-028-010	7	17310-128-000	39
11393-028-020	11	14500-096-020	21	17311-128-000AU	39
11394-028-040	15	14541-086-010	21	17312-128-670XW	39
11431-128-000	15	14542-086-000	21	17315-128-300	39
11691-028-000	15	14550-086-010	21	17500-098-0208	39
		14561-086-010	21	17512-086-010	39
		14561-096-000	21	17611-098-310	39
		14562-086-000	21	17612-128-000	39
		14592-028-010	21	17614-128-000	39
12000		14593-028-010	21	17620-041-000	39
12021-128-300	3	14610-105-690	21	17631-001-000	39
12023-028-330	3	14615-035-000	21	17670-098-010	39
12100-028-680	3	14670-028-000	21	17681-128-000	39
12191-028-020	3	14711-028-000	7	17910-128-000	27
12200-128-000	3	14721-028-602	9		
12251-028-030	3	14730-028-013	9	18000	
12261-105-690	3	14731-028-000	9	18100-128-670CT	43
12301-028-010	3	14751-028-010	9	18113-128-000	43
12331-128-000	3	14761-028-020	9	18114-128-000CT	43
12332-028-030	3	14771-030-000	9	18291-028-000	43
12361-028-000	3	14775-028-010	9	18292-329-000	43
12391-028-000	3	14776-028-000	9	18400-128-000CT	43
12394-028-010	3	14781-001-010	9	18411-128-000CT	43
12901-028-020	3			18412-128-000CT	43
12902-105-690	3				
		15000			
		15100-053-010	21		
		15111-053-020	21		
		15119-028-030	21	22000	
		15121-028-060	21	22101-046-030	11
		15128-028-030	21	22111-028-010	11
		15181-028-050	21	22112-028-000	11
		15331-053-010	21	22121-096-000	11
		15332-053-010	21	22131-096-000	11
		15421-035-010	23	22201-121-690	11
		15650-128-000	11	22311-096-000	11
		15761-128-000	23	22321-046-010	11
				22331-046-000	11
				22341-046-000	11
				22401-046-000	11
		16000		22411-096-000	11
		16010-102-014	25	22421-028-000	11
		16011-070-004	25	22431-046-010	11
		16012-128-670	25	22511-096-000	11
		16013-046-004	25	22531-033-010	11
		16014-918-004	25	22535-033-000	11
		16015-102-004	25	22536-033-000	11
		16016-046-004	25	22811-046-010	11
		16022-046-004	25	22820-918-000	11
		16037-077-004	25	22825-046-000	11
		16100-128-670	25	22830-046-000	11
		16118-121-004	25	22846-053-010	13
		16201-077-010	3	22860-046-000	13
		16211-077-010	3	22874-128-000	55
		16236-045-010	15	22901-102-700	13
		16236-128-000	3	22911-121-000	13

**PART NO. INDEX**

Part No.	Page	Part No.	Page	Part No.	Page
23000		30391-028-000	5	33712-107-670	51
23110-046-000	13	30392-028-020	5	33712-128-670	51
23111-096-000	13	30500-128-013	55	33714-128-670	49
23211-121-691	17	30700-259-810	55	33715-128-670	49
23221-121-691	17	30905-216-000	9	33716-128-670	49
23421-121-691	17			33719-077-671	51
23431-121-692	17			33741-340-670	29
23441-121-693	17	31000		33743-329-670	29
23471-121-692	17	31100-128-671	15		
23481-121-692	17	31101-053-004	15	34000	
23801-128-670	17	31102-128-671	15		
23811-028-000	17	31104-028-000	15	34902-202-000	29
		31105-028-000	15	34905-056-671	49
		31500-128-671	55	34906-329-671	51
24000		31510-128-000	55	34908-230-000	29
		31700-128-008	55		
24211-121-690	17			35000	
24261-028-010	17				
24263-028-000	17	32000			
24301-121-690	17			35030-128-671	55
24421-001-010	17	32100-128-000	55	35100-128-007	55
24422-001-000	17	32106-046-000	55	35112-098-670	55
24423-028-000	17	32112-041-000	55	35150-128-671	27
24425-028-010	17	32907-128-000	5	35200-128-670	27
24430-028-010	17	32908-128-000	23	35340-102-003	27
24435-046-000	17	32909-128-000	23	35350-292-003	43
24610-046-020	17	32981-121-003	15	35357-041-000	43
24630-046-010	17	32983-011-000	51	35750-028-000	15
24641-046-000	17	32983-028-000	55	35752-028-300	15
24651-033-010	17			35753-028-601	19
24652-035-000	17				
24700-028-670	43	33000			
				37000	
		33100-243-671	29		
25000		33101-243-670	29	37200-128-671	29
		33102-283-000	29	37551-001-000	15
25551-918-000	13	33103-200-020	29		
25555-046-000	13	33107-200-023	29	38000	
		33117-200-023	29		
28000		33120-243-671	29		
		33128-200-033	29	38100-128-004	31
28223-128-670	17	33400-056-671	49	38205-115-000	55
28250-128-670	9	33400-128-671	49	38300-089-671	51
28255-121-690	19	33401-292-003	49	38303-128-670	51
28261-121-691	19	33402-268-671	49	38306-107-670	51
28300-118-000	43	33410-056-671	49		
		33410-128-671	49		
		33443-268-671	49	40000	
		33450-056-671	49		
30000		33450-128-671	49	40510-128-000CT	47
		33460-056-671	49	40530-128-671	35
30200-028-013	3	33460-128-671	49	40531-205-003	35
30200-107-014	3	33604-128-000	49		
30201-107-004	3	33605-128-000	49	41000	
30202-107-004	3	33606-074-010	49		
30205-028-003	3	33607-128-000	49		
30205-028-004	3	33701-329-671	51	41201-107-670	35
30220-053-003	3	33702-329-671	51	41241-222-000	35
30220-053-004	3	33703-329-670	51	42301-107-020	35
30250-052-156	55	33708-341-671	51		
30360-028-020	5	33709-092-671	51		
30370-128-000	5	33711-107-670	51		

**PART NO. INDEX**

Part No.	Page	Part No.	Page	Part No.	Page
42000		50000		53171-128-670	27
42304-107-000	35	50100-128-670EC	55	53180-286-000	27
42313-074-010	35	50100-128-670NE	55	53192-268-000	27
42601-128-000	35	50191-098-670	55	53200-128-670AU	31
42620-107-010	35	50301-041-305	31	53211-028-000	31
42701-118-013	35	50305-098-000	55	53217-030-305	31
42711-128-003	35	50310-128-000	55	53214-001-010	31
42711-128-006	35	50325-128-000	55	53215-001-000	31
42712-128-003	35	50400-128-000	55	53220-074-000	31
42712-128-006	35	50530-128-000B	43	53231-102-000	31
42713-128-003	35	50603-033-000	43	53600-001-020	31
42713-128-006	35	50610-128-670B	43		
		50616-331-000	43	55000	
		50617-283-000	43	55106-300-000	51
43000		50642-331-000	43		
		50644-283-000	43	61000	
43100-128-000	35	50661-098-010B	55	61100-128-670XW	31
43141-107-010	35	50661-331-770	43	61102-128-000	31
43410-128-000	35	50665-128-000	39	61301-128-670CT	29
43432-028-010	47	50710-110-781	55	61303-105-000	29
43451-128-010	43			61304-128-670	29
		51000		61306-128-300	29
		51400-128-000	31		
44000		51401-128-000	31	77000	
44301-107-000	35	51410-116-671	31	77100-128-670A	39
44311-229-000	35	51420-116-671	31	77204-128-000	39
44601-116-670	35	51425-118-013	31	77210-126-000B	39
44620-030-000	35	51442-229-000	31	77211-128-000B	39
44804-128-000	35	51445-028-000	31	77230-128-000	39
44830-128-670	29	51446-028-000	31	77250-342-300	39
44831-128-670	29	51451-118-000	31		
		51452-118-000	31	80000	
		51500-128-000	31	80100-128-000XW	55
		51520-116-671	31	80101-283-000	31
45000					
45010-128-000	35	52000		80103-128-000	57
45120-001-010	35	52100-128-670AU	47	80108-061-010	49
45131-041-000	35	52181-001-300	47	80109-118-770	51
45133-028-000	35	52400-128-000	47		
45134-121-000	35	52401-028-000	47	83000	
45134-250-000	35	52401-128-000	47	83500-128-000CT	51
45410-051-000	35	52409-108-761	47	83542-128-000	51
45435-121-010	35	52430-128-000	47	83547-128-000	51
45436-001-000	35	52475-051-000	47	83551-300-000	39
45437-001-000	27	52481-115-003	47		
45450-128-000	27	52486-056-000	47	84000	
45465-128-000	31	52486-115-003	47	84701-128-670CT	51
45465-270-000	27	52489-056-000	47	84705-292-000	51
46000		53000			
46500-128-000	43	53100-128-000	27		
46502-128-000	43	53130-128-670	31		
46514-028-000	43	53132-102-000	31		
		53133-102-000	31		
		53170-074-670	27		
		53171-110-000	27		

**PART NO. INDEX**

Part No.	Page	Part No.	Page	Part No.	Page
84706-286-000	31	90417-041-000	19		
	47	90431-028-010	13		
	51	90432-121-000	13		
84905-118-000	51	90441-028-010	5		
84905-128-000	51	90441-035-000	23		
84906-118-000	51	90442-028-000	5		
		90451-001-000	19		
		90461-028-000	19		
87000		90481-035-000	23		
		90482-028-000	5		
87122-128-000	43	90483-028-000	5		
87124-128-000	57	90483-034-000	13		
87126-128-670	39	90486-028-000	5		
87505-128-670	51	90501-128-000	45		
87506-128-670	51	90503-011-000	33		
87506-340-670	39	90523-222-000	37		
87511-323-000	57	90525-001-000	37		
87560-323-670A	57	90525-030-000	33		
			47		
			53		
88000		90527-230-000	47		
		90528-229-000	33		
88110-074-000	27	90543-273-000	33		
88120-074-000	27	90548-121-000	37		
		90549-121-000	37		
		90581-310-000	53		
89000		90581-701-000	53		
		90601-030-000	19		
89010-128-000	51	90603-046-000	13		
89101-300-010	53	90664-216-000	37		
		90741-253-000	9		
		90755-229-000	37		
90000		90756-118-003	33		
90012-333-000	9				
90015-028-000	23	91000			
90023-001-010	19				
90031-028-010	23	91101-001-030	9		
90032-028-020	23	91201-028-000	5		
90081-086-000	23	91201-030-000	19		
90101-001-010	39	91203-023-020	13		
90108-283-000	45	91204-001-000	15		
90112-128-000	57	91251-121-000	37		
90113-128-000	41	91257-230-000	37		
90114-268-020	27	91301-216-000	15		
90117-065-000	33		23		
90120-329-670	29	91302-200-000	5		
90121-118-000	47	91303-001-000	13		
90127-001-010	47	91305-028-158	5		
90128-216-000	37	91307-035-000	13		
90133-303-000	47				
90141-028-000	15				
90164-028-000	33	99000			
90206-001-000	9				
90231-028-000	13	99114-077-0650	25		
90304-030-000	33	99124-303-0350	25		
90305-051-000	37	99500-040-070A	5		
90305-107-010	37				
90313-329-000	45				
90321-315-670	27				
90351-268-000	47				
90405-001-000	23				
90407-231-000	23				



